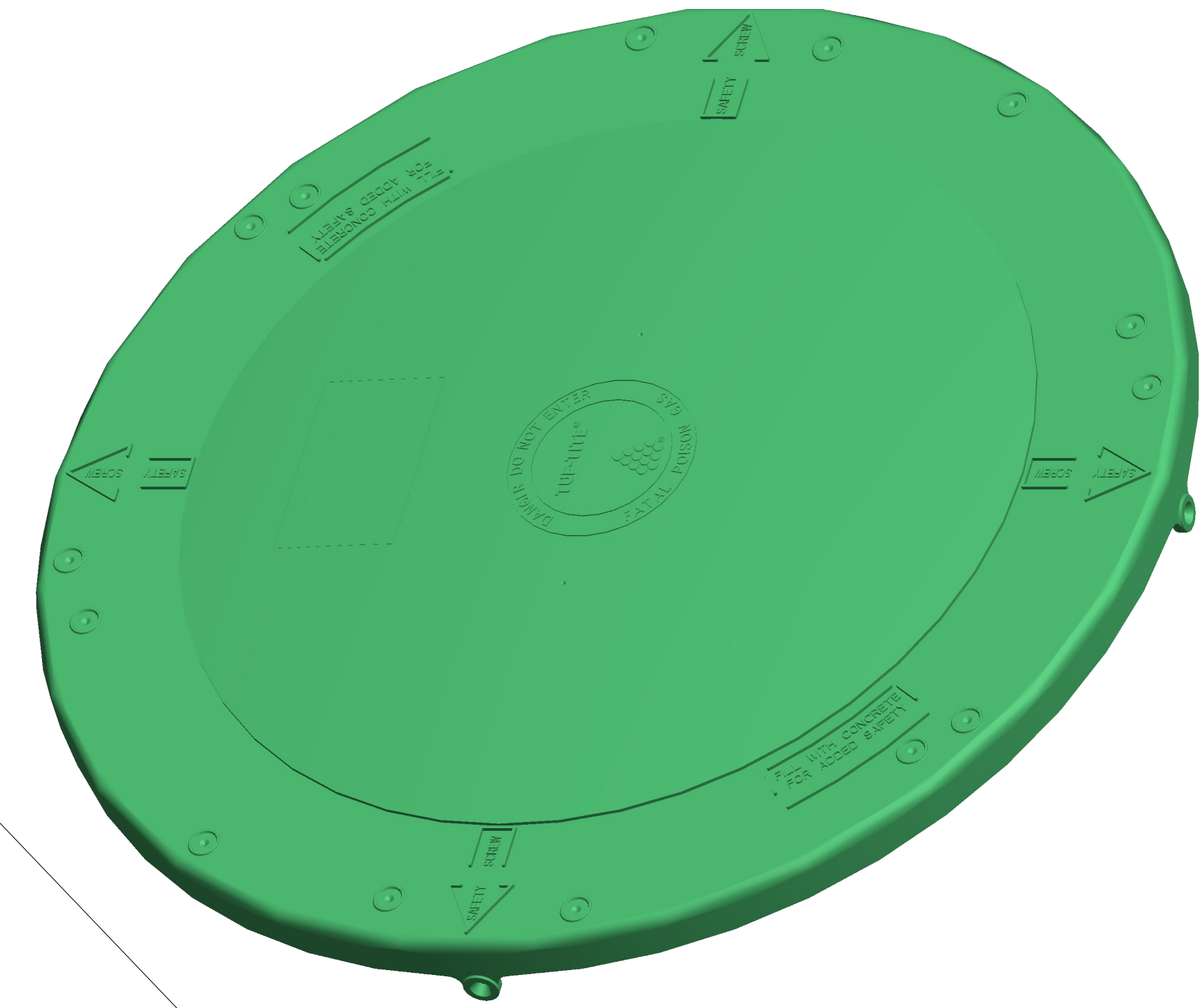


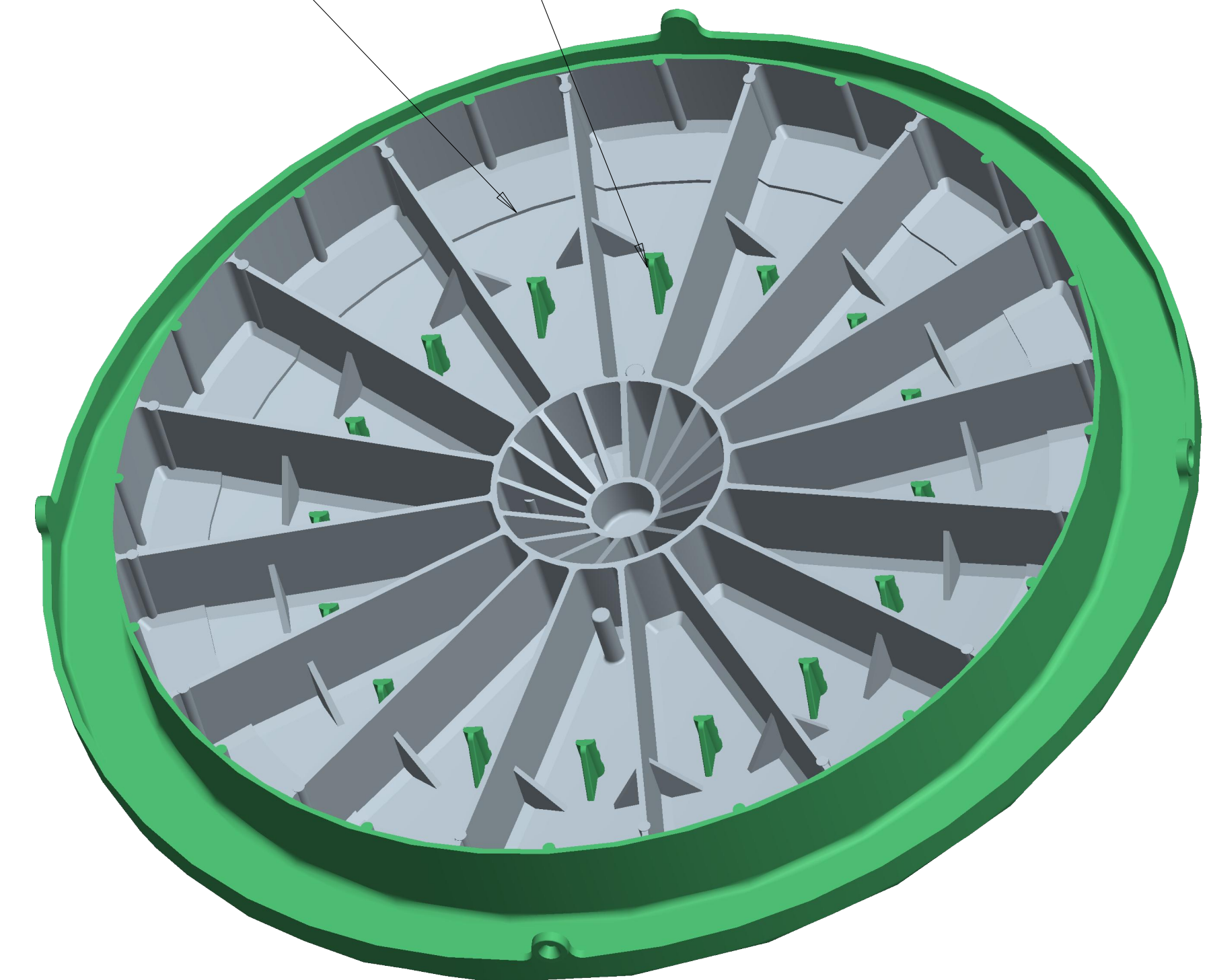
SECTION A-A

PERMANENT FOAMED-IN POLYURETHANE GASKET

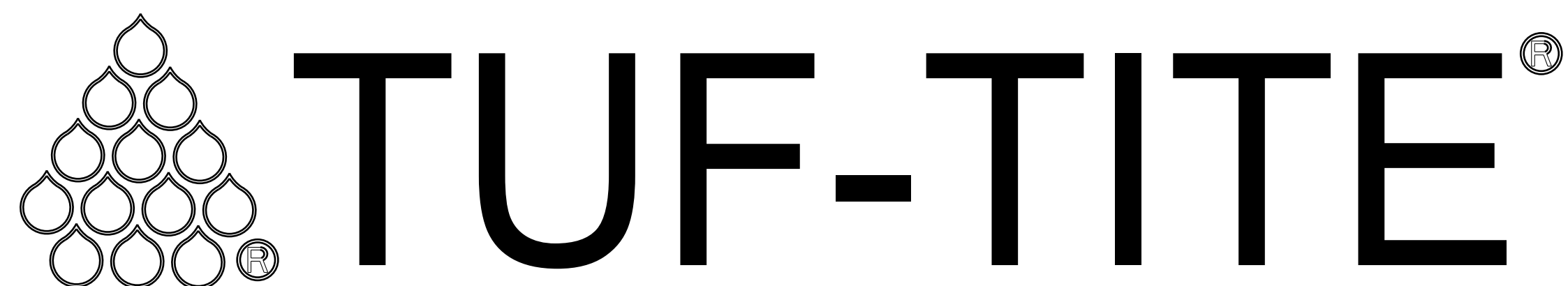
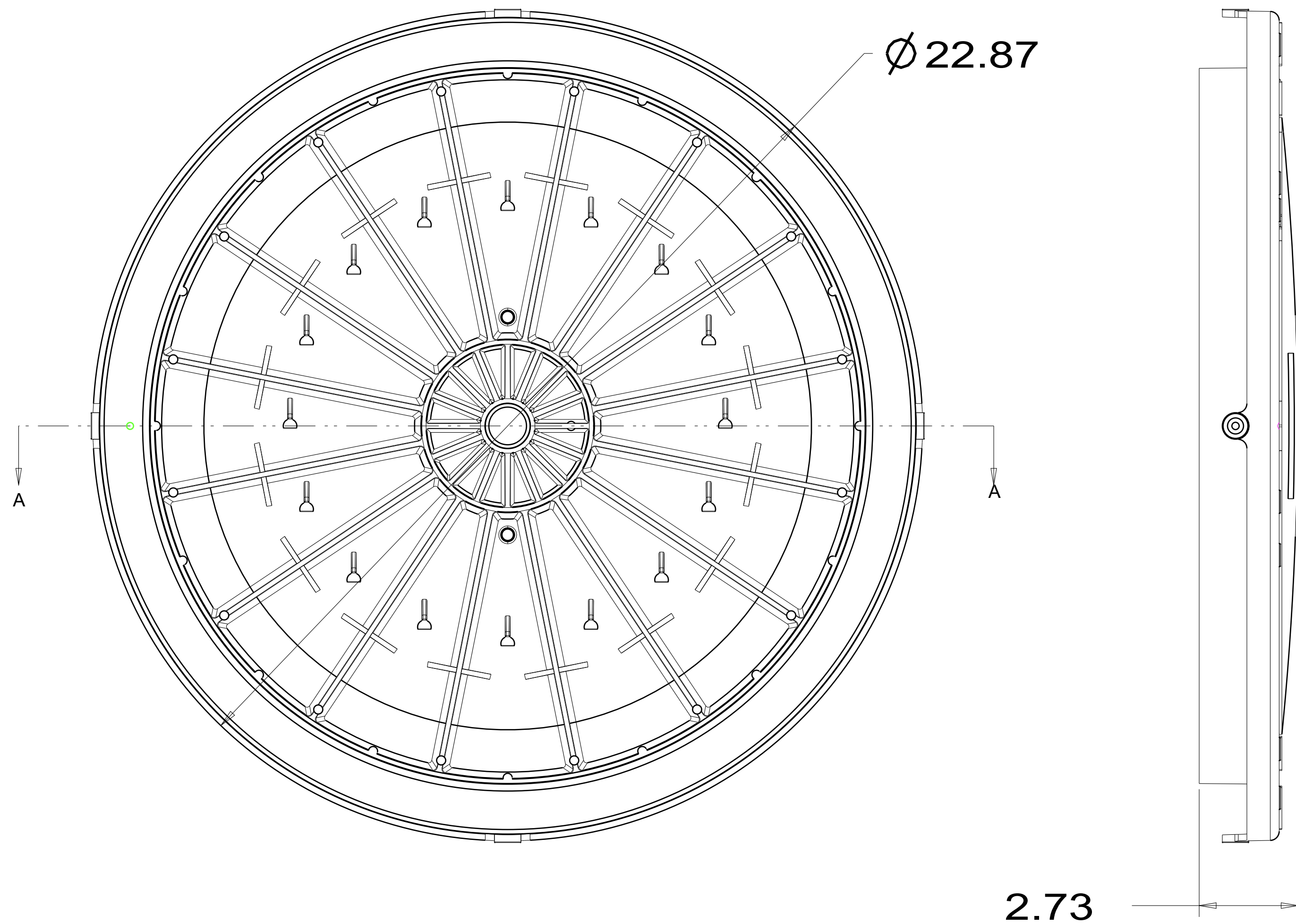
THIS AREA MAY BE FILLED WITH CONCRETE FOR ADDITIONAL WEIGHT



CONCRETE KEEPER™
RETAINING HOOKS



Material: Copolymer Polypropylene
Color: Green



Drainage and Septic Products

Tuf-Tite, Inc
1200 Flex Court
Lake Zurich, Illinois 60047

TELEPHONE: 847.550.1011
TOLL FREE: 800.382.7009
FAX: 847.550.8004

PART NAME:
20" FLAT LID

PART#:
20-RISL-FLAT