

Haier

Submittals

FlexFit Multi Series

Rev. Aug. 2022



Outdoor

2U18MS2VHB
2U18MS2HDA
3U24MS2VHB
3U24MS2HDA
4U36MS2VHB
4U36MS2HDA

Indoor

AW07LC2VHB
AW09LC2VHB
AW12LC2VHB
AW18LC2VHB
AW24LP2VHA
AW07TC2HDA
AW09TC2HDA
AW12TC2HDA
AW18TC2HDA
AW24TC2HDA
AB09SC2VHA
AB12SC2VHA
AB18SC2VHA
AL24LP2VHA
AD07SL2VHB
AD09SL2VHB
AD12SL2VHB
AD18SL2VHB
AM24LP2VHA
USYM09UCDSA
USYM12UCDSA
USYM18UCDSA
USYM24UCDSA
USYF09UCDWA
USYF12UCDWA
USYF18UCDWA



GE APPLIANCES
a Haier company

For more information visit us:
www.Haierductless.com
www.Haierductlesshelp.com

Revision History

Rev. Jan. 2017 - Submittal edition release.

Rev. Mar. 2017 - Heat capacity data updated to include -4°F (-20°C) outdoor DB

Rev. Mar. 2017.2 - 3U capacity correction (non-ducted heating: 17°F (-8C); 4U capacity correction (ducted heating: 5°F (-15C)

Rev. May 2017 - 2U /3U/4U capacity chart corrections. Added 14°F (-10°C) cooling capacities.

Rev. Sept 2017 - Corrected factory charge of 3U24MS2VHB to 67.0 oz.

Rev. April 2018 - Added Motor Ratings (all models), Condensate Pump Lift (AB09SC2VH*, AB12SC2VH*, AB18SC2VH*, AD07SL2VH*, AD09SL2VH*, AD12SL2VH*, AD18SL2VH*, AM24LP2VHA, AL24LP2VHA); Maximum ESP (AD07SL2VH*, AD09SL2VH*, AD12SL2VH*, AD18SL2VH*, AM24LP2VHA); Updated dimension diagrams (AB models, AL models, AD models, AM24LP2VHA)

Rev. May 2019 - Accessories & electrical requirement update.

Rev. Sept. 2019 - 4U36MS2VHB combination table updated.

Rev. Mar. 2020 - 2U18MS2VHB capacity correction.

Rev. June 2020 - Updated to include USYM Series & USYF series.

Rev. July 2020 - Added ODU floor mounting dimensions diagrams.

Rev. Aug 2020 - Correct vapor line size for USYM18UCDSA. Controller updates. Added matching tables.

Rev. Mar 2021 - AM24LP2VHA Image/description correction.

Rev. June 2022 - Addition of 2022 OD and ID highwall models.

Rev. Aug. 2022 - Controller updates.

Haier Matching Tables

2U18MS2VHB
2U18MS2HDA

No adapter is shipped with 2U

	Combinations		Required Adapter
	Port B	Port A	
	1/4" x 3/8"	1/4" x 3/8"	
Two Zone	7	7	-
	9	7	-
	9	9	-
	12	7	-
	12	9	-
	12	12	-

3U24MS2VHB
3U24MS2HDA

3U24MS ships with adapter D

	Combinations			Required Adapter
	Port C	Port B	Port A	
	MS: 1/4" x 3/8" EH: 1/4" x 1/2"	1/4" x 3/8"	1/4" x 3/8"	
Two Zone	7	7	---	-
	9	7	---	-
	9	9	---	-
	12	7	---	-
	12	9	---	-
	12	12	---	-
	18	7	---	D
	18	9	---	D
	18	12	---	D
Three Zone	7	7	7	-
	9	7	7	-
	9	9	7	-
	12	7	7	-
	12	9	9	-
	12	9	7	-
	12	9	9	-
	12	12	7	-
	18	7	7	D

Adapters

	GEA Part #	
A	1/4" to 3/8" (Liquid line for ports C & D)	WJ01X23925
B	3/8" to 5/8" (Vapor line for port C)	WJ01X23924
C	1/2" to 5/8" (Vapor line for port D)	WJ01X23932
D	3/8" to 1/2" (Vapor line for port C)	WJ01X26853
E	1/2" to 3/8" (Vapor line for port C or D)	WJ01X26854

4U36MS2VHB
4U36MS2HDA

4U36MS ships with adapters D, E

	Combinations				Required Adapter	
	Port D	Port C	Port B	Port A		
	1/4" x 1/2"	1/4" x 3/8"	1/4" x 3/8"	1/4" x 3/8"		
Two Zone	18	9	---	---	-	
	18	12	---	---	-	
	24	7	---	---	C, A	
	24	9	---	---	C, A	
	24	12	---	---	C, A	
	18	18	---	---	D	
	18	24	---	---	A, B	
	24	24	---	---	B, C, A, A	
	Three Zone	9	9	9	---	E
		12	9	7	---	E
12		9	9	---	E	
12		12	7	---	E	
18		7	7	---	-	
12		12	9	---	E	
18		9	7	---	-	
18		9	9	---	-	
12		12	12	---	E	
18		12	7	---	-	
24		7	7	---	C, A	
18		12	9	---	-	
24		9	7	---	C, A	
24		9	9	---	C, A	
18		12	12	---	-	
24		12	7	---	C, A	
24		12	9	---	C, A	
24		12	12	---	C, A	
18		18	12	---	D	
Four Zone		7	7	7	7	E
	9	7	7	7	E	
	9	9	7	7	E	
	12	7	7	7	E	
	9	9	9	7	E	
	12	9	7	7	E	
	9	9	9	9	E	
	12	9	9	7	E	
	12	12	7	7	E	
	12	9	9	9	E	
	18	7	7	7	-	
	12	12	9	7	E	
	18	9	7	7	-	
	12	12	9	9	E	
	12	12	12	7	E	
	18	9	9	7	-	
	18	12	7	7	-	
	24	7	7	7	C, A	
	12	12	12	9	E	
	24	9	7	7	C, A	
12	12	12	12	E		
18	12	9	9	-		

Haier FlexFit Multi Series Submittal

18000 BTU/HR INVERTER DRIVEN MULTI-ZONE HEAT PUMP SYSTEM

2U18MS2VHB

Job Name: _____

Purchaser: _____

Submitted To: _____

Construction: _____

Reference: _____

Approval: _____

Date: _____

Submitted By: _____

Unit: _____

Drawing #: _____



Accessories

Wind Baffle

Uses wind baffle QAWB43A

Electrical Requirement

Power Supply	208/230V, 1 Phase, 60 HZ
Operating Voltage Range	187~253 VAC
Recommended Fuse/Breaker Size	25A
MCA	15A

Connecting cable to indoor units must be 14/4 AWG unshielded stranded copper. Cable must be ran continuous, without splicing.

Operating Range

Cooling with Baffle	14~115°F (-10~46°C)
Cooling without Baffle	23~115°F (-5~46°C)
Heating	-4~75°F (-20~24°C)

Heating Performance

Heating Capacity Range	6,100~21,5000 BTU
HSPF (Non-Ducted/Ducted)	9.0/.8.5

Cooling Performance

Cooling Capacity Range	4,400~19,400 BTU
Rated Power Input (Non-Ducted/Ducted)	1,650/1,760 W
SEER (Non-Ducted/Ducted)	16.0/16.0
EER (Non-Ducted/Ducted)	10.5/8.5

Pipe Length

Minimum Pipe Length (Each)	10 ft
Maximum Pipe Length (Each/All)	65 ft /98 ft
Pre-Charged	50 ft
Additional Charge	0.2 oz/ft
Maximum Pipe Height Difference	50 ft
Flare Connections	1/4", 1/4"(Liquid) 3/8", 3/8" (Vapor)

Outdoor Unit

Compressor	DC inverter Driven Rotary
Uncrated Dimension (HxWxD)	27 1/8 x 31 7/8 x 11 3/8 in (688 x 810 x 288 mm)
Crated (HxWxD)	29 7/8 x 37 3/8 x 16 in (760 x 949 x 406 mm)
Outdoor Sound Rating dB	53
Heat Exchanger Fin Type	Blue Fin
Weight (Ship/Net)	102.5/95.9 lbs
Factory Refrigerant Charge	R-410A (49.5 oz)



GE APPLIANCES
a Haier company

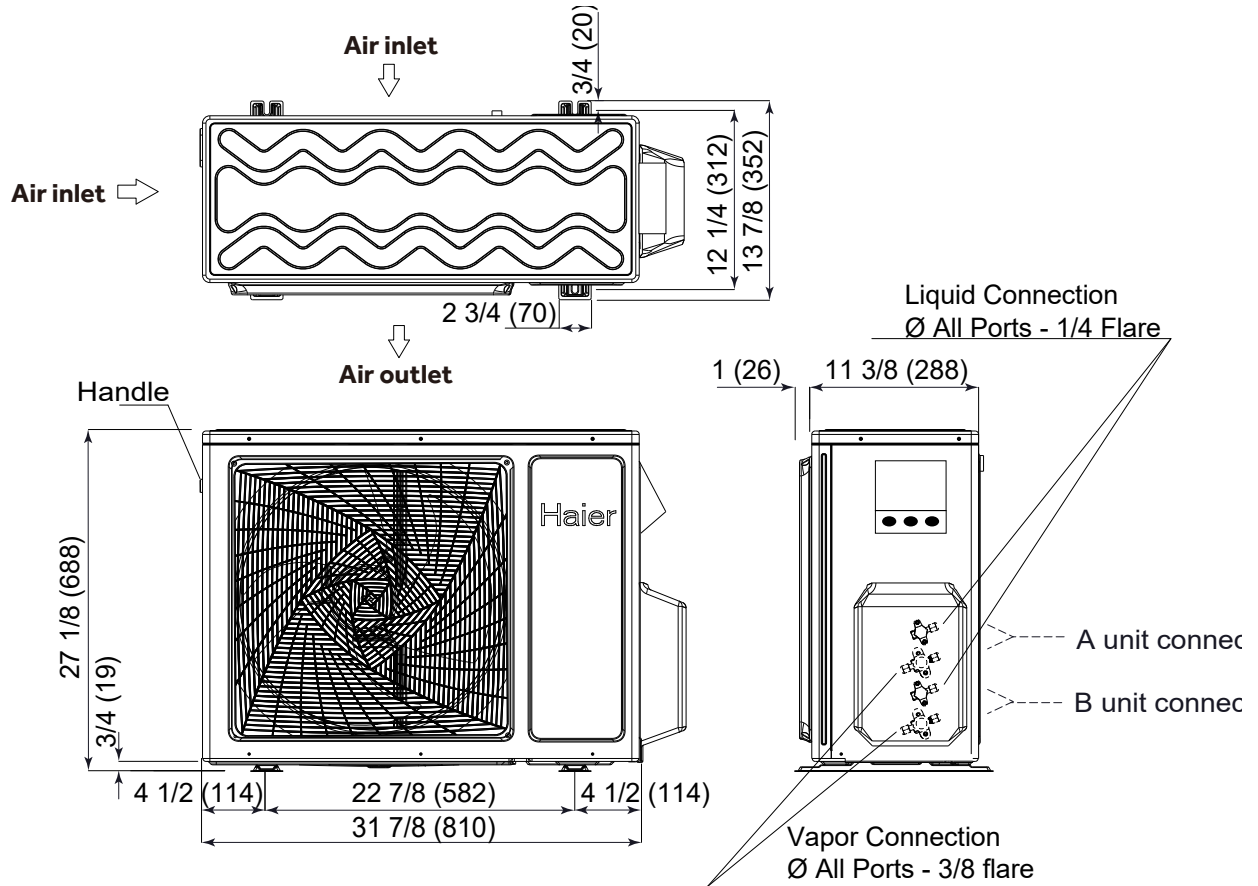
For more information visit us:
www.Haierductless.com
www.Haierductlesshelp.com



Haier FlexFit Multi Series Submittal

18000 BTU/HR INVERTER DRIVEN MULTI-ZONE HEAT PUMP SYSTEM

2U18MS2VHB



Haier FlexFit Multi Series Submittal

18000 BTU/HR INVERTER DRIVEN MULTI-ZONE HEAT PUMP SYSTEM

2U18MS2VHB

Heating Capacity Data - Non Ducted

Outdoor Air Temp DB	Indoor Set Temperature								
	60°F (16°C)			70°F (21°C)			77°F (25°C)		
	Maximum Heating Capacity (Btu/h)	Power Usage (w)	COP	Max Heating Capacity (Btu/h)	Power Usage (w)	COP	Max Heating Capacity (Btu/h)	Power Usage (w)	COP
-4°F (-20°C)	11,580	990	11.70	10,920	1,030	10.60	10,370	1,100	9.43
5°F (-15°C)	12,740	1,080	11.80	12,130	1,140	10.64	11,530	1,210	9.53
17°F (-8°C)	15,350	1,190	12.90	13,870	1,280	10.84	12,760	1,290	9.89
47°F (8°C)	20,740	1,100	18.85	19,200	1,200	16.00	17,660	1,300	13.58

Heating Capacity Data - Ducted

Outdoor Air Temp DB	Indoor Set Temperature								
	60°F (16°C)			70°F (21°C)			77°F (25°C)		
	Maximum Heating Capacity (Btu/h)	Power Usage (w)	COP	Max Heating Capacity (Btu/h)	Power Usage (w)	COP	Max Heating Capacity (Btu/h)	Power Usage (w)	COP
-4°F (-20°C)	10,460	1,220	8.57	9,020	1,450	6.22	8,210	1,550	5.30
5°F (-15°C)	13,620	1,400	9.73	12,440	1,480	8.41	11,380	1,620	7.02
17°F (-8°C)	15,530	1,340	11.59	14,200	1,370	10.36	12,800	1,500	8.53
47°F (8°C)	18,600	1,380	13.48	17,200	1,280	13.44	15,540	1,450	10.72

Capacity and power usage are measured under the assumption of indoor humidity of 46%

Cooling Capacity Data - Non Ducted

Outdoor Air Temp DB	Indoor Set Temperature								
	70°F (21°C)			75°F (24°C)			80°F (27°C)		
	Maximum Cooling Capacity (Btu/h)	Power Usage (w)	EER	Maximum Cooling Capacity (Btu/h)	Power Usage (w)	EER	Maximum Cooling Capacity (Btu/h)	Power Usage (w)	EER
14°F (-10°C)	6,530	630	3.04	7,210	660	3.20	7,620	690	3.24
65°F (18°C)	12,330	980	3.69	13,700	1,230	3.26	13,080	1,020	3.76
75°F (24°C)	11,260	1,520	2.17	12,890	1,560	2.42	13,340	1,590	2.46
85°F (29°C)	14,110	1,530	2.70	15,430	1,590	2.84	16,480	1,620	2.98
95°F (35°C)	15,090	1,610	2.75	16,970	1,680	2.96	18,050	1,710	3.09
105°F (41°C)	15,080	1,720	2.57	16,910	1,780	2.78	17,580	1,800	2.86
115°F (46°C)	13,580	1,430	2.78	14,870	1,540	2.83	15,860	1,450	3.21

Cooling Capacity Data - Ducted

Outdoor Air Temp DB	Indoor Set Temperature								
	70°F (21°C)			75°F (24°C)			80°F (27°C)		
	Maximum Cooling Capacity (Btu/h)	Power Usage (w)	EER	Maximum Cooling Capacity (Btu/h)	Power Usage (w)	EER	Maximum Cooling Capacity (Btu/h)	Power Usage (w)	EER
14°F (-10°C)	6,370	750	2.49	7,020	810	2.54	7,500	830	2.65
65°F (18°C)	12,200	1,230	2.91	12,880	1,250	3.02	12,980	1,290	2.95
75°F (24°C)	12,900	1,370	2.76	13,600	1,440	2.77	14,600	1,500	2.85
85°F (29°C)	13,760	1,520	2.65	14,800	1,590	2.73	16,150	1,720	2.75
95°F (35°C)	14,680	1,630	2.64	16,420	1,790	2.69	18,000	1,950	2.71
105°F (41°C)	14,360	1,610	2.61	15,690	1,750	2.63	17,490	1,920	2.67
115°F (46°C)	13,200	1,520	2.55	13,860	1,620	2.51	15,700	1,750	2.63

Capacity and power usage are measured under the assumption of indoor humidity of 46%

Haier FlexFit Multi Series Submittal

18000 BTU/HR INVERTER DRIVEN MULTI-ZONE HEAT PUMP SYSTEM

2U18MS2HDA

Job Name: _____

Purchaser: _____

Submitted To: _____

Construction: _____

Reference: _____

Approval: _____

Date: _____

Submitted By: _____

Unit: _____

Drawing #: _____



Accessories

Wind Baffle

Front Wind Baffle: UAWB47A

Back/Side Wind Baffle (Snow Hood): UAWB84A

Electrical Requirement

Power Supply	208/230V, 1 Phase, 60 HZ
Operating Voltage Range	187~253 VAC
Recommended Fuse/Breaker Size	30A
MCA	19A

Connecting cable to indoor units must be 14/4 AWG unshielded stranded copper. Cable must be ran continuous, without splicing.

Operating Range

Cooling with Baffle	14~115°F (-10~46°C)
Cooling without Baffle	23~115°F (-5~46°C)
Heating	-4~75°F (-20~24°C)

Heating Performance

Heating Capacity Range (Non-Ducted/Ducted)	2,300-20,000 BTU/ 3,200-19,100 BTU
HSPF (Non-Ducted/Ducted)	11.0/9.4

Cooling Performance

Cooling Capacity Range (Non-Ducted/Ducted)	5,000-19,500 BTU/ 4,600-19,000 BTU
Rated Power Input (Non-Ducted/Ducted)	1,440/1,565 W
SEER (Non-Ducted/Ducted)	20.0/18.0
EER (Non-Ducted/Ducted)	12.5/11.5

Pipe Length

Minimum Pipe Length (Each)	10 ft
Maximum Pipe Length (Each/All)	65 ft /98 ft
Pre-Charged	50 ft
Additional Charge	0.2 oz/ft
Maximum Pipe Height Difference	50 ft
Flare Connections	1/4", 1/4"(Liquid) 3/8", 3/8" (Vapor)

Outdoor Unit

Compressor	DC inverter Driven Rotary
Uncrated Dimension (HxWxD)	27 5/8 x 35 x 13 1/2 in (700 x 890 x 340 mm)
Crated (HxWxD)	31 1/8 x 39 3/8 x 17 1/2 in (790 x 998 x 443 mm)
Outdoor Sound Rating dB	51
Heat Exchanger Fin Type	Blue Fin
Weight (Ship/Net)	130/115 lbs
Factory Refrigerant Charge	R-410A (60.0 oz)



GE APPLIANCES
a Haier company

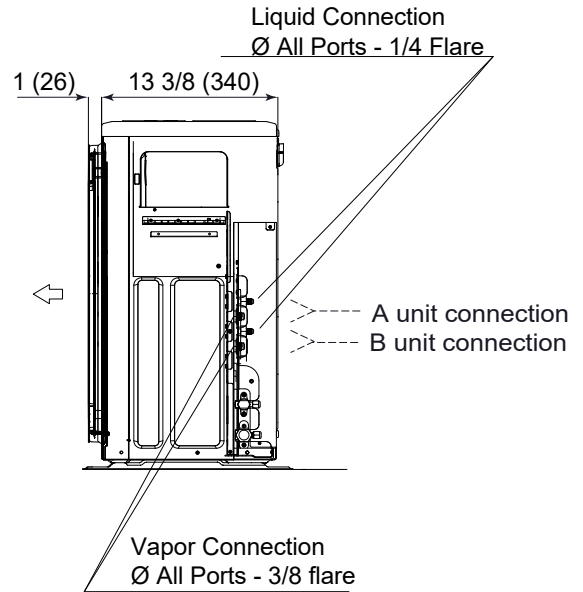
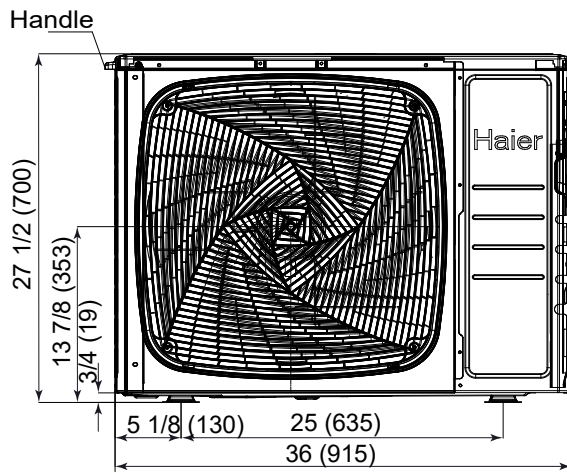
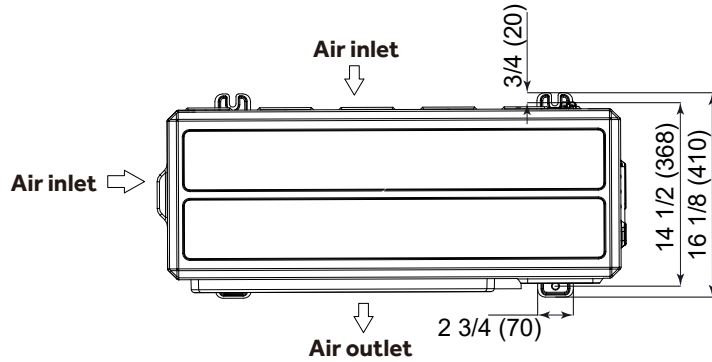
For more information visit us:
www.Haierductless.com
www.Haierductlesshelp.com



Haier FlexFit Multi Series Submittal

18000 BTU/HR INVERTER DRIVEN MULTI-ZONE HEAT PUMP SYSTEM

2U18MS2HDA



Haier FlexFit Multi Series Submittal

18000 BTU/HR INVERTER DRIVEN MULTI-ZONE HEAT PUMP SYSTEM

2U18MS2HDA

Heating Capacity Data - Non Ducted

Outdoor Air Temp DB	Indoor Set Temperature								
	60°F (16°C)			70°F (21°C)			77°F (25°C)		
	Maximum Heating Capacity (Btu/h)	Power Usage (w)	COP	Max Heating Capacity (Btu/h)	Power Usage (w)	COP	Max Heating Capacity (Btu/h)	Power Usage (w)	COP
-4°F (-20°C)	11,970	1,935	1.81	11,400	1,910	1.75	10,830	1,885	1.68
5°F (-15°C)	14,385	2,255	1.87	13,700	2,230	1.80	13,015	2,205	1.73
17°F (-8°C)	15,960	1,725	2.71	15,200	1,700	2.62	14,440	1,675	2.53
47°F (8°C)	25,200	2,535	2.91	24,000	2,510	2.80	22,800	2,485	2.69

Heating Capacity Data - Ducted

Outdoor Air Temp DB	Indoor Set Temperature								
	60°F (16°C)			70°F (21°C)			77°F (25°C)		
	Maximum Heating Capacity (Btu/h)	Power Usage (w)	COP	Max Heating Capacity (Btu/h)	Power Usage (w)	COP	Max Heating Capacity (Btu/h)	Power Usage (w)	COP
-4°F (-20°C)	9,660	1,775	1.60	9,200	1,750	1.54	8,740	1,725	1.48
5°F (-15°C)	11,550	2,035	1.66	11,000	2,010	1.60	10,450	1,985	1.54
17°F (-8°C)	15,960	2,085	2.24	15,200	2,060	2.16	14,440	2,035	2.08
47°F (8°C)	23,940	2,285	3.07	22,800	2,260	2.96	21,660	2,235	2.84

Capacity and power usage are measured under the assumption of indoor humidity of 46%

Cooling Capacity Data - Non Ducted

Outdoor Air Temp DB	Indoor Set Temperature								
	70°F (21°C)			75°F (24°C)			80°F (27°C)		
	Maximum Cooling Capacity (Btu/h)	Power Usage (w)	EER	Maximum Cooling Capacity (Btu/h)	Power Usage (w)	EER	Maximum Cooling Capacity (Btu/h)	Power Usage (w)	EER
14°F (-10°C)	20,734	1,799	3.38	21,279	1,817	3.43	21,825	1,836	3.48
23°F (-5°C)	21,157	1,821	3.41	21,713	1,839	3.46	22,270	1,858	3.51
32°F (0°C)	21,588	1,842	3.43	22,156	1,860	3.49	22,724	1,879	3.54
50°F (10°C)	22,029	1,863	3.47	22,608	1,881	3.52	23,188	1,901	3.57
65°F (18°C)	23,188	1,926	3.53	23,798	1,946	3.58	24,408	1,966	3.64
75°F (24°C)	22,982	1,990	3.38	23,587	2,010	3.44	24,192	2,030	3.49
85°F (29°C)	22,572	2,053	3.22	23,166	2,074	3.27	23,760	2,095	3.32
95°F (35°C)	20,520	2,117	2.84	21,060	2,138	2.89	21,600	2,160	2.93
105°F (41°C)	18,468	2,329	2.32	18,954	2,352	2.36	19,440	2,376	2.40
115°F (46°C)	15,390	2,223	2.03	15,795	2,245	2.06	16,200	2,268	2.09

Cooling Capacity Data - Ducted

Outdoor Air Temp DB	Indoor Set Temperature								
	70°F (21°C)			75°F (24°C)			80°F (27°C)		
	Maximum Cooling Capacity (Btu/h)	Power Usage (w)	EER	Maximum Cooling Capacity (Btu/h)	Power Usage (w)	EER	Maximum Cooling Capacity (Btu/h)	Power Usage (w)	EER
14°F (-10°C)	20,734	1,949	3.12	21,279	1,969	3.17	21,825	1,989	3.22
23°F (-5°C)	21,157	1,972	3.14	21,713	1,993	3.19	22,270	2,012	3.24
32°F (0°C)	21,588	1,995	3.17	22,156	2,016	3.22	22,724	2,036	3.27
50°F (10°C)	22,029	2,018	3.20	22,608	2,039	3.25	23,188	2,059	3.30
65°F (18°C)	23,188	2,087	3.26	23,798	2,108	3.31	24,408	2,129	3.36
75°F (24°C)	22,982	2,155	3.13	23,587	2,178	3.17	24,192	2,200	3.22
85°F (29°C)	22,572	2,224	2.97	23,166	2,247	3.02	23,760	2,270	3.07
95°F (35°C)	20,520	2,293	2.62	21,060	2,317	2.66	21,600	2,340	2.70
105°F (41°C)	18,468	2,522	2.15	18,954	2,549	2.18	19,440	2,574	2.21
115°F (46°C)	15,390	2,408	1.87	15,795	2,433	1.90	16,200	2,457	1.93

Capacity and power usage are measured under the assumption of indoor humidity of 46%

Haier FlexFit Multi Series Submittal

24000 BTU/HR INVERTER DRIVEN MULTI-ZONE HEAT PUMP SYSTEM

3U24MS2VHB

Job Name: _____

Purchaser: _____

Submitted To: _____

Construction: _____

Reference: _____

Approval: _____

Date: _____

Submitted By: _____

Unit: _____

Drawing #: _____



Accessories

Wind Baffle

Uses wind baffle QAWB44A

Electrical Requirement

Power Supply	208/230V, 1 Phase, 60 HZ
Operating Voltage Range	187~253 VAC
Recommended Fuse/Breaker Size	25A
MCA	18A

Connecting cable to indoor units must be 14/4 AWG unshielded stranded copper. Cable must be ran continuous, without splicing.

Operating Range

Cooling with Baffle	14~115°F (-10~46°C)
Cooling without Baffle	23~115°F (-5~46°C)
Heating	-4~75°F (-20~24°C)

Heating Performance

Heating Capacity Range (Non-Ducted/Ducted)	6,100~25,500 BTU/ 6,100~25,000 BTU
HSPF (Non-Ducted/Ducted)	10.0/8.5

Cooling Performance

Cooling Capacity Range (Non-Ducted/Ducted)	5,000-19,500 BTU/ 4,600-19,000 BTU
Rated Power Input (Non-Ducted/Ducted)	2,250/2,416 W
SEER (Non-Ducted/Ducted)	18.0/16.0
EER (Non-Ducted/Ducted)	10.0/8.5

Pipe Length

Minimum Pipe Length (Each)	10 ft
Maximum Pipe Length (Each/All)	82 ft /197 ft
Pre-Charged	75 ft
Additional Charge	0.2 oz/ft
Maximum Pipe Height Difference	50 ft
Flare Connections	1/4", 1/4", 1/4" (Liquid) 3/8", 3/8", 3/8" (Vapor)

Outdoor Unit

Compressor	DC inverter Driven Rotary
Uncrated Dimension (HxWxD)	28 3/4 x 33 7/8 x 12 1/8 in (730 x 860 x 308 mm)
Crated (HxWxD)	32 5/8 x 39 3/4 x 16 7/8 in (830 x 1010 x 430 mm)
Outdoor Sound Rating dB	54
Heat Exchanger Fin Type	Blue Fin
Weight (Ship/Net)	123.5/116.8 lbs
Factory Refrigerant Charge	R-410A (67.0 oz)



GE APPLIANCES
a Haier company

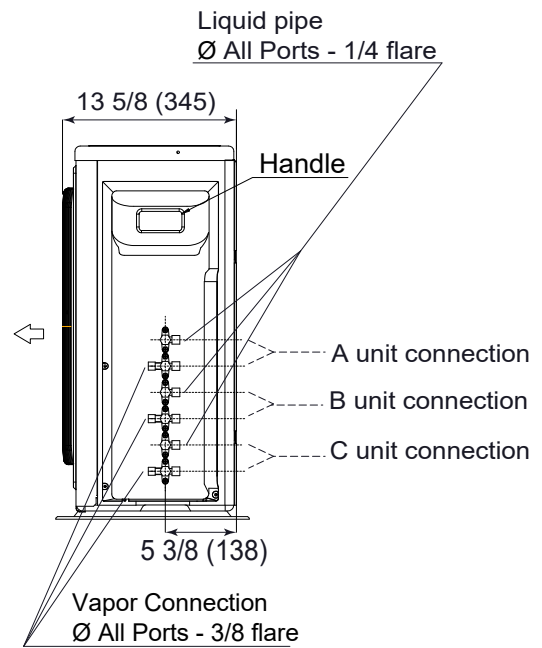
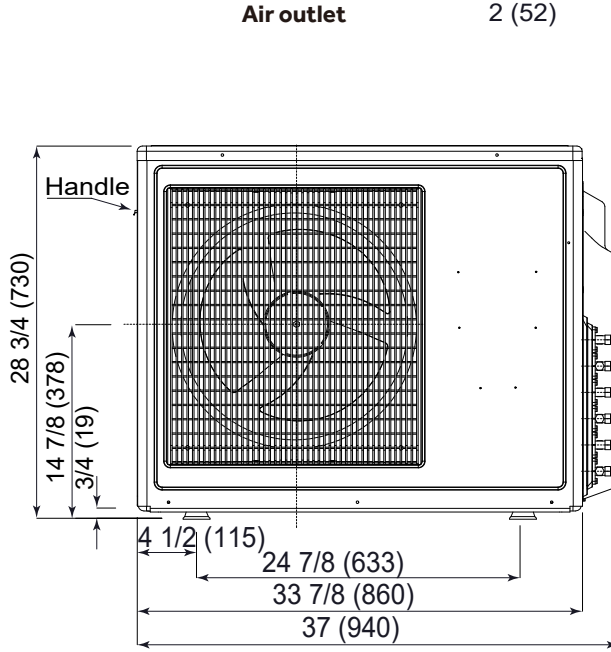
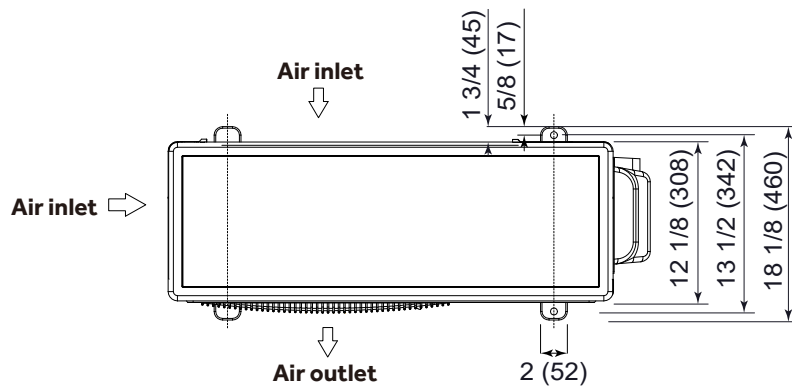
For more information visit us:
www.Haierductless.com
www.Haierductlesshelp.com



Haier FlexFit Multi Series Submittal

24000 BTU/HR INVERTER DRIVEN MULTI-ZONE HEAT PUMP SYSTEM

3U24MS2VHB



Haier FlexFit Multi Series Submittal

24000 BTU/HR INVERTER DRIVEN MULTI-ZONE HEAT PUMP SYSTEM

3U24MS2VHB

Heating Capacity Data - Non Ducted

Outdoor Air Temp DB	Indoor Set Temperature								
	60°F (16°C)			70°F (21°C)			77°F (25°C)		
	Maximum Heating Capacity (Btu/h)	Power Usage (w)	COP	Max Heating Capacity (Btu/h)	Power Usage (w)	COP	Max Heating Capacity (Btu/h)	Power Usage (w)	COP
-4°F (-20°C)	15,660	1,890	8.29	13,500	1,960	6.89	12,370	2,080	5.95
5°F (-15°C)	15,980	1,810	8.83	14,960	1,900	7.87	12,570	1,920	6.55
17°F (-8°C)	17,790	1,940	9.17	17,720	1,970	8.99	14,650	1,980	7.40
47°F (8°C)	27,400	2,150	12.74	25,600	2,350	10.89	22,860	2,440	9.37

Heating Capacity Data - Ducted

Outdoor Air Temp DB	Indoor Set Temperature								
	60°F (16°C)			70°F (21°C)			77°F (25°C)		
	Maximum Heating Capacity (Btu/h)	Power Usage (w)	COP	Max Heating Capacity (Btu/h)	Power Usage (w)	COP	Max Heating Capacity (Btu/h)	Power Usage (w)	COP
-4°F (-20°C)	12,760	1,650	7.73	11,000	1,670	6.59	10,120	1,790	5.65
5°F (-15°C)	15,500	1,940	7.99	15,290	2,020	7.57	10,280	1,850	5.56
17°F (-8°C)	17,630	1,900	9.28	17,360	2,070	8.39	13,100	1,920	6.82
47°F (8°C)	26,200	2,050	12.78	24,580	2,180	11.28	22,300	2,300	9.70

Capacity and power usage are measured under the assumption of indoor humidity of 46%

Cooling Capacity Data - Non Ducted

Outdoor Air Temp DB	Indoor Set Temperature								
	70°F (21°C)			75°F (24°C)			80°F (27°C)		
	Maximum Cooling Capacity (Btu/h)	Power Usage (w)	EER	Maximum Cooling Capacity (Btu/h)	Power Usage (w)	EER	Maximum Cooling Capacity (Btu/h)	Power Usage (w)	EER
14°F (-10°C)	19,200	1,080	5.21	20,430	1,120	5.35	21,700	1,190	5.34
65°F (18°C)	25,980	1,860	4.09	28,640	2,150	3.90	30,480	2,260	3.95
75°F (24°C)	26,510	2,100	3.70	27,530	2,460	3.28	28,690	2,650	3.17
85°F (29°C)	25,950	2,230	3.41	26,180	2,580	2.97	27,430	2,740	2.93
95°F (35°C)	23,520	2,500	2.76	25,360	2,880	2.58	26,700	3,000	2.61
105°F (41°C)	20,860	2,350	2.60	22,270	2,760	2.36	23,560	2,850	2.42
115°F (46°C)	16,890	1,860	2.66	17,950	2,150	2.45	18,680	2,350	2.33

Cooling Capacity Data - Ducted

Outdoor Air Temp DB	Indoor Set Temperature								
	70°F (21°C)			75°F (24°C)			80°F (27°C)		
	Maximum Cooling Capacity (Btu/h)	Power Usage (w)	EER	Maximum Cooling Capacity (Btu/h)	Power Usage (w)	EER	Maximum Cooling Capacity (Btu/h)	Power Usage (w)	EER
14°F (-10°C)	18,670	1,140	4.80	20,110	1,180	4.99	21,680	1,220	5.21
65°F (18°C)	24,300	1,790	3.98	27,100	1,960	4.05	28,560	2,010	4.16
75°F (24°C)	25,130	1,920	3.84	25,800	2,030	3.72	26,300	2,100	3.67
85°F (29°C)	25,880	2,250	3.37	24,150	2,320	3.05	24,900	2,360	3.09
95°F (35°C)	22,960	2,480	2.71	25,200	2,820	2.62	26,460	2,890	2.68
105°F (41°C)	20,530	2,300	2.62	22,170	2,760	2.35	22,690	2,650	2.51
115°F (46°C)	16,250	1,820	2.62	17,850	2,150	2.43	18,560	2,400	2.27

Capacity and power usage are measured under the assumption of indoor humidity of 46%

Haier FlexFit Multi Series Submittal

24000 BTU/HR INVERTER DRIVEN MULTI-ZONE HEAT PUMP SYSTEM

3U24MS2HDA

Job Name: _____

Purchaser: _____

Submitted To: _____

Construction: _____

Reference: _____

Approval: _____

Date: _____

Submitted By: _____

Unit: _____

Drawing #: _____



Accessories

Wind Baffle

Uses wind baffle QAWB47A

Back/Side Wind Baffle (Snow Hood): UAWB84A

Electrical Requirement

Power Supply	208/230V, 1 Phase, 60 HZ
Operating Voltage Range	187~253 VAC
Recommended Fuse/Breaker Size	30A
MCA	22A

Connecting cable to indoor units must be 14/4 AWG unshielded stranded copper. Cable must be ran continuous, without splicing.

Operating Range

Cooling with Baffle	14~115°F (-10~46°C)
Cooling without Baffle	23~115°F (-5~46°C)
Heating	-4~75°F (-20~24°C)

Heating Performance

Heating Capacity Range (Non-Ducted/Ducted)	3,200-25,000 BTU/ 3,800-25,500 BTU
HSPF (Non-Ducted/Ducted)	10.5/9.0

Cooling Performance

Cooling Capacity Range (Non-Ducted/Ducted)	5,000~24,500 BTU/ 5,000~24,500 BTU
Rated Power Input (Non-Ducted/Ducted)	1,800/2,000 W
SEER (Non-Ducted/Ducted)	21.0/16.0
EER (Non-Ducted/Ducted)	12.5/11.0

Pipe Length

Minimum Pipe Length (Each)	10 ft
Maximum Pipe Length (Each/All)	82 ft /197 ft
Pre-Charged	100 ft
Additional Charge	0.2 oz/ft
Maximum Pipe Height Difference	50 ft
Flare Connections	1/4", 1/4", 1/4" (Liquid) 3/8", 3/8", 3/8" (Vapor)

Outdoor Unit

Compressor	DC inverter Driven Rotary
Uncrated Dimension (HxWxD)	27 5/8 x 35 1/2 x 13 5/8 in (700 x 900 x 346 mm)
Crated (HxWxD)	31 1/8 x 39 3/8 x 17 1/2 in (790 x 998 x 443 mm)
Outdoor Sound Rating dB	53
Heat Exchanger Fin Type	Blue Fin
Weight (Ship/Net)	132/117 lbs
Factory Refrigerant Charge	R-410A (67.0 oz)



GE APPLIANCES
a Haier company

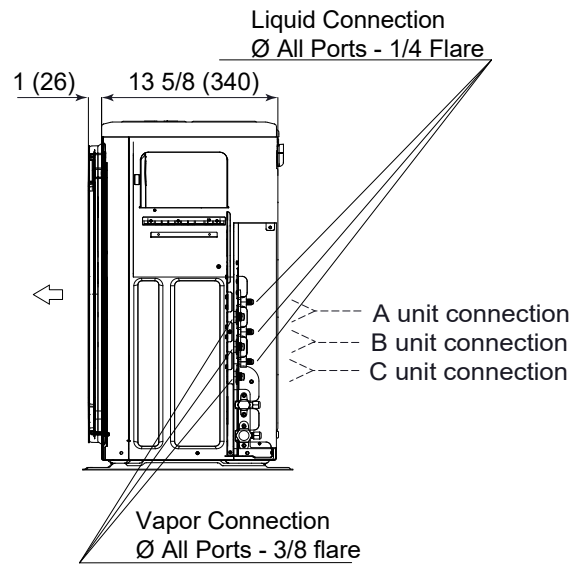
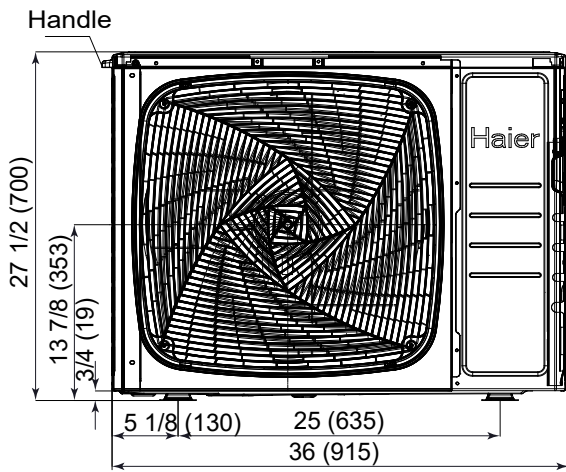
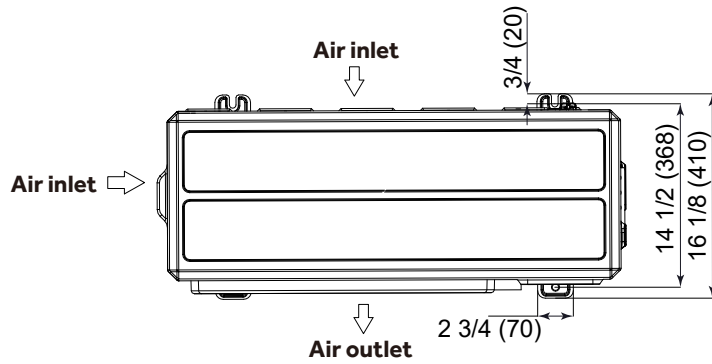
For more information visit us:
www.Haierductless.com
www.Haierductlesshelp.com



Haier FlexFit Multi Series Submittal

24000 BTU/HR INVERTER DRIVEN MULTI-ZONE HEAT PUMP SYSTEM

3U24MS2HDA



Haier FlexFit Multi Series Submittal

24000 BTU/HR INVERTER DRIVEN MULTI-ZONE HEAT PUMP SYSTEM

3U24MS2HDA

Heating Capacity Data - Non Ducted

Outdoor Air Temp DB	Indoor Set Temperature								
	60°F (16°C)			70°F (21°C)			77°F (25°C)		
	Maximum Heating Capacity (Btu/h)	Power Usage (w)	COP	Max Heating Capacity (Btu/h)	Power Usage (w)	COP	Max Heating Capacity (Btu/h)	Power Usage (w)	COP
-4°F (-20°C)	12,600	2,095	1.76	12,000	2,070	1.70	11,400	2,045	1.63
5°F (-15°C)	14,595	2,065	2.07	13,900	2,040	2.00	13,205	2,015	1.92
17°F (-8°C)	21,000	2,595	2.37	20,000	2,570	2.28	19,000	2,545	2.19
47°F (8°C)	31,500	2,845	3.25	30,000	2,820	3.12	28,500	2,795	2.99

Heating Capacity Data - Ducted

Outdoor Air Temp DB	Indoor Set Temperature								
	60°F (16°C)			70°F (21°C)			77°F (25°C)		
	Maximum Heating Capacity (Btu/h)	Power Usage (w)	COP	Max Heating Capacity (Btu/h)	Power Usage (w)	COP	Max Heating Capacity (Btu/h)	Power Usage (w)	COP
-4°F (-20°C)	11,550	2,115	1.60	11,000	2,090	1.54	10,450	2,065	1.48
5°F (-15°C)	12,600	1,805	2.05	12,000	1,780	1.98	11,400	1,755	1.90
17°F (-8°C)	21,000	2,775	2.22	20,000	2,750	2.13	19,000	2,725	2.04
47°F (8°C)	31,500	3,075	3.00	30,000	3,050	2.88	28,500	3,025	2.76

Capacity and power usage are measured under the assumption of indoor humidity of 46%

Cooling Capacity Data - Non Ducted

Outdoor Air Temp DB	Indoor Set Temperature								
	70°F (21°C)			75°F (24°C)			80°F (27°C)		
	Maximum Cooling Capacity (Btu/h)	Power Usage (w)	EER	Maximum Cooling Capacity (Btu/h)	Power Usage (w)	EER	Maximum Cooling Capacity (Btu/h)	Power Usage (w)	EER
14°F (-10°C)	25,800	2,241	3.37	26,479	2,264	3.43	27,158	2,287	3.48
23°F (-5°C)	26,326	2,267	3.40	27,019	2,290	3.46	27,712	2,313	3.51
32°F (0°C)	26,864	2,293	3.43	27,571	2,317	3.49	28,278	2,340	3.54
50°F (10°C)	27,412	2,320	3.46	28,134	2,343	3.52	28,855	2,367	3.57
65°F (18°C)	28,855	2,399	3.53	29,615	2,423	3.58	30,374	2,448	3.64
75°F (24°C)	28,601	2,478	3.38	29,353	2,503	3.44	30,106	2,529	3.49
85°F (29°C)	28,090	2,557	3.22	28,829	2,583	3.27	29,568	2,609	3.32
95°F (35°C)	25,536	2,636	2.84	26,208	2,663	2.88	26,880	2,690	2.93
105°F (41°C)	22,982	2,900	2.32	23,587	2,929	2.36	24,192	2,959	2.40
115°F (46°C)	19,152	2,768	2.03	19,656	2,796	2.06	20,160	2,825	2.09

Cooling Capacity Data - Ducted

Outdoor Air Temp DB	Indoor Set Temperature								
	70°F (21°C)			75°F (24°C)			80°F (27°C)		
	Maximum Cooling Capacity (Btu/h)	Power Usage (w)	EER	Maximum Cooling Capacity (Btu/h)	Power Usage (w)	EER	Maximum Cooling Capacity (Btu/h)	Power Usage (w)	EER
14°F (-10°C)	25,340	2,499	2.97	26,007	2,525	3.02	26,674	2,550	3.07
23°F (-5°C)	25,857	2,528	3.00	26,538	2,554	3.05	27,218	2,580	3.09
32°F (0°C)	26,384	2,558	3.02	27,079	2,584	3.07	27,773	2,610	3.12
50°F (10°C)	26,923	2,587	3.05	27,632	2,614	3.10	28,340	2,640	3.15
65°F (18°C)	28,340	2,675	3.11	29,086	2,703	3.15	29,832	2,730	3.20
75°F (24°C)	28,090	2,764	2.98	28,829	2,792	3.03	29,568	2,820	3.07
85°F (29°C)	27,588	2,852	2.84	28,314	2,881	2.88	29,040	2,910	2.92
95°F (35°C)	25,080	2,940	2.50	25,740	2,970	2.54	26,400	3,000	2.58
105°F (41°C)	22,572	3,234	2.05	23,166	3,267	2.08	23,760	3,300	2.11
115°F (46°C)	18,810	3,087	1.79	19,305	3,119	1.81	19,800	3,150	1.84

Capacity and power usage are measured under the assumption of indoor humidity of 46%

Haier FlexFit Multi Series Submittal

36000 BTU/HR INVERTER DRIVEN MULTI-ZONE HEAT PUMP SYSTEM

4U36MS2VHB

Job Name: _____

Purchaser: _____

Submitted To: _____

Construction: _____

Reference: _____

Approval: _____

Date: _____

Submitted By: _____

Unit: _____

Drawing #: _____



Accessories

Wind Baffle

Uses wind baffle QAWB40A

When FlexFit series 24k indoor matches with the 4U36MS2VHB, two adapters are required and need to be purchased separately from Haier parts:

1/4" to 3/8" Part Number: WJ01X23925

3/8" to 5/8" Part Number: WJ01X23924

1/2" to 5/8" Part Number: WJ01X23932

Electrical Requirement

Power Supply	208/230V, 1 Phase, 60 HZ
Operating Voltage Range	187~253 VAC
Recommended Fuse/Breaker Size	30A
MCA	23A

Connecting cable to indoor units must be 14/4 AWG unshielded stranded copper. Cable must be ran continuous, without splicing.

Operating Range

Cooling with Baffle	14~115°F (-10~46°C)
Cooling without Baffle	23~115°F (-5~46°C)
Heating	-4~75°F (-20~24°C)

Heating Performance

Heating Capacity Range (Non-Ducted/Ducted)	6,100~36,500 BTU/ 6,100~35,000 BTU
HSPF (Non-Ducted/Ducted)	10.0/9.0

Cooling Performance

Cooling Capacity Range (Non-Ducted/Ducted)	5,000~36,000 BTU/ 5,000~34,000 BTU
Rated Power Input (Non-Ducted/Ducted)	3,770/3,590 W
SEER (Non-Ducted/Ducted)	18.0/16.0
EER (Non-Ducted/Ducted)	9.0/8.5

Pipe Length

Minimum Pipe Length (Each)	10 ft
Maximum Pipe Length (Each/All)	82 ft /230 ft
Pre-Charged	100 ft
Additional Charge	0.2 oz/ft
Maximum Pipe Height Difference	50 ft
Flare Connections	1/4", 1/4", 1/4", 1/4" (Liquid) 3/8", 3/8", 3/8", 1/2" (Vapor)

Outdoor Unit

Compressor	DC inverter Driven Rotary
Uncrated Dimension (HxWxD)	33 1/8 x 37 3/8 x 13 3/8 in (840 x 948 x 340 mm)
Crated (HxWxD)	39 5/8 x 42 7/8 x 16 3/8 in (1005 x 1090 x 415 mm)
Outdoor Sound Rating dB	56
Heat Exchanger Fin Type	Blue Fin
Weight (Ship/Net)	191.8/167.6 lbs
Factory Refrigerant Charge	R-410A (113.0 oz)



GE APPLIANCES
a Haier company

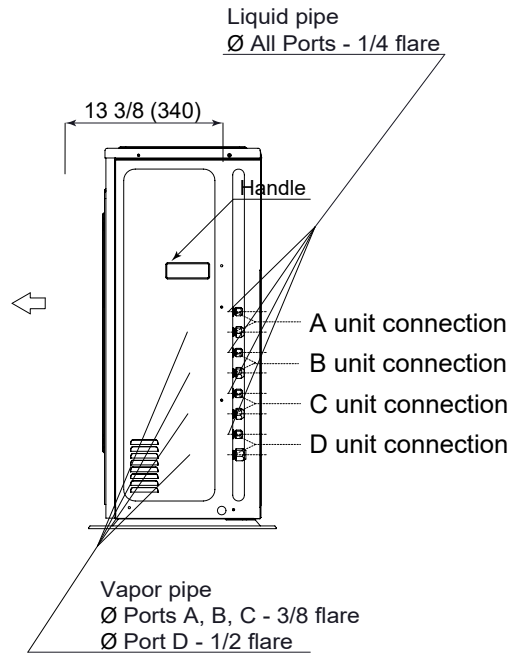
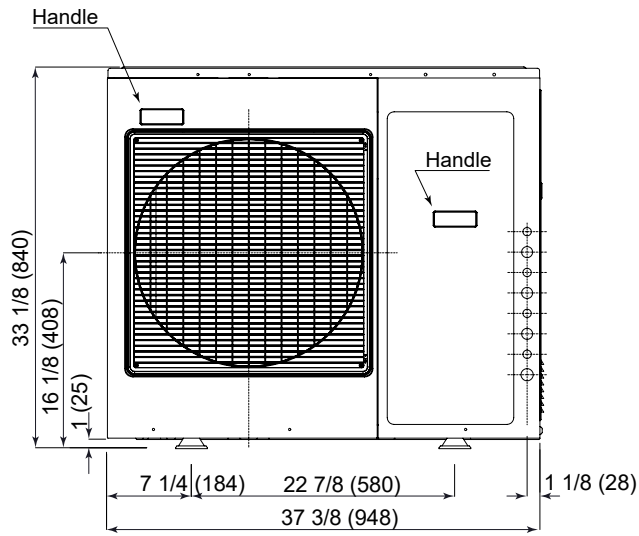
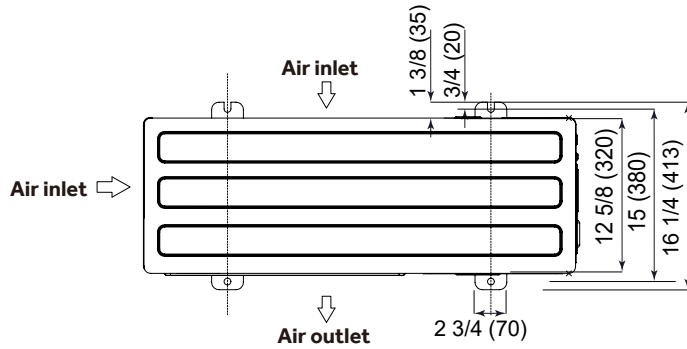
For more information visit us:
www.Haierductless.com
www.Haierductlesshelp.com



Haier FlexFit Multi Series Submittal

36000 BTU/HR INVERTER DRIVEN MULTI-ZONE HEAT PUMP SYSTEM

4U36MS2VHB



Haier FlexFit Multi Series Submittal

36000 BTU/HR INVERTER DRIVEN MULTI-ZONE HEAT PUMP SYSTEM

4U36MS2VHB

Heating Capacity Data - Non Ducted

Outdoor Air Temp DB	Indoor Set Temperature								
	60°F (16°C)			70°F (21°C)			77°F (25°C)		
	Maximum Heating Capacity (Btu/h)	Power Usage (w)	COP	Max Heating Capacity (Btu/h)	Power Usage (w)	COP	Max Heating Capacity (Btu/h)	Power Usage (w)	COP
-4°F (-20°C)	20,460	2,650	7.72	17,640	2,670	6.61	16,410	3,580	4.58
5°F (-15°C)	23,980	2,810	8.53	21,230	2,610	8.13	20,690	3,090	6.70
17°F (-8°C)	25,360	2,820	8.99	24,260	3,090	7.85	22,370	3,180	7.03
47°F (8°C)	37,580	3,180	11.82	36,500	3,330	10.96	34,250	3,460	9.90

Heating Capacity Data - Ducted

Outdoor Air Temp DB	Indoor Set Temperature								
	60°F (16°C)			70°F (21°C)			77°F (25°C)		
	Maximum Heating Capacity (Btu/h)	Power Usage (w)	COP	Max Heating Capacity (Btu/h)	Power Usage (w)	COP	Max Heating Capacity (Btu/h)	Power Usage (w)	COP
-4°F (-20°C)	18,970	2,170	8.74	15,640	2,450	6.38	14,330	2,370	6.05
5°F (-15°C)	23,020	2,760	8.34	20,040	2,870	6.98	17,530	2,920	6.00
17°F (-8°C)	25,300	2,890	8.75	23,320	3,170	7.36	21,750	3,250	6.69
47°F (8°C)	36,850	3,090	11.93	35,300	3,430	10.29	33,540	3,580	9.37

Capacity and power usage are measured under the assumption of indoor humidity of 46%

Cooling Capacity Data - Non Ducted

Outdoor Air Temp DB	Indoor Set Temperature								
	70°F (21°C)			75°F (24°C)			80°F (27°C)		
	Maximum Cooling Capacity (Btu/h)	Power Usage (w)	EER	Maximum Cooling Capacity (Btu/h)	Power Usage (w)	EER	Maximum Cooling Capacity (Btu/h)	Power Usage (w)	EER
14°F (-10°C)	25,410	1,850	4.03	26,900	1,880	4.19	30,520	1,900	4.71
65°F (18°C)	34,250	2,830	3.55	36,520	2,950	3.63	38,400	3,050	3.69
75°F (24°C)	33,760	2,940	3.37	34,700	3,010	3.38	36,580	3,150	3.40
85°F (29°C)	31,500	3,460	2.67	32,420	3,650	2.60	34,890	3,720	2.75
95°F (35°C)	32,100	3,680	2.56	33,540	3,780	2.60	35,100	3,950	2.60
105°F (41°C)	25,620	3,440	2.18	26,280	3,520	2.19	29,260	3,660	2.34
115°F (46°C)	22,200	3,050	2.13	23,680	3,180	2.18	25,380	3,250	2.29

Cooling Capacity Data - Ducted

Outdoor Air Temp DB	Indoor Set Temperature								
	70°F (21°C)			75°F (24°C)			80°F (27°C)		
	Maximum Cooling Capacity (Btu/h)	Power Usage (w)	EER	Maximum Cooling Capacity (Btu/h)	Power Usage (w)	EER	Maximum Cooling Capacity (Btu/h)	Power Usage (w)	EER
14°F (-10°C)	24,870	1,870	3.90	26,340	1,900	4.06	29,400	1,940	4.44
65°F (18°C)	34,120	2,780	3.60	35,790	2,860	3.67	36,850	2,980	3.62
75°F (24°C)	33,570	3,020	3.26	34,260	3,160	3.18	35,780	3,240	3.24
85°F (29°C)	30,840	3,490	2.59	31,580	3,630	2.55	33,520	3,750	2.62
95°F (35°C)	31,960	3,710	2.52	33,200	3,820	2.55	34,500	4,030	2.51
105°F (41°C)	25,130	3,480	2.12	25,430	3,610	2.06	28,460	3,850	2.17
115°F (46°C)	21,800	3,070	2.08	23,400	3,220	2.13	24,300	3,350	2.13

Capacity and power usage are measured under the assumption of indoor humidity of 46%

Haier FlexFit Multi Series Submittal

36000 BTU/HR INVERTER DRIVEN MULTI-ZONE HEAT PUMP SYSTEM

4U36MS2HDA

Job Name: _____

Purchaser: _____

Submitted To: _____

Construction: _____

Reference: _____

Approval: _____

Date: _____

Submitted By: _____

Unit: _____

Drawing #: _____



Accessories

Wind Baffle

Uses wind baffle QAWB46A

Back/Side Wind Baffle (Snow Hood): UAWB80A

When FlexFit series 24k indoor matches with the 4U36MS2HDA, two adapters are required and need to be purchased separately from Haier parts:

1/4" to 3/8" Part Number: WJ01X23925

3/8" to 5/8" Part Number: WJ01X23924

1/2" to 5/8" Part Number: WJ01X23932

Electrical Requirement

Power Supply	208/230V, 1 Phase, 60 HZ
Operating Voltage Range	187~253 VAC
Recommended Fuse/Breaker Size	30A
MCA	26A

Connecting cable to indoor units must be 14/4 AWG unshielded stranded copper. Cable must be ran continuous, without splicing.

Operating Range

Cooling with Baffle	14~115°F (-10~46°C)
Cooling without Baffle	23~115°F (-5~46°C)
Heating	-4~75°F (-20~24°C)

Heating Performance

Heating Capacity Range (Non-Ducted/Ducted)	7,000-36,000 BTU/ 6,500-36,500 BTU
HSPF (Non-Ducted/Ducted)	10.5/9.3

Cooling Performance

Cooling Capacity Range (Non-Ducted/Ducted)	10,000-36,000 BTU/ 10,000-36,000 BTU
Rated Power Input (Non-Ducted/Ducted)	3,680/3,800 W
SEER (Non-Ducted/Ducted)	18.0/15.6
EER (Non-Ducted/Ducted)	9.0/8.8

Pipe Length

Minimum Pipe Length (Each)	10 ft
Maximum Pipe Length (Each/All)	82 ft /230 ft
Pre-Charged	131 ft
Additional Charge	0.2 oz/ft
Maximum Pipe Height Difference	50 ft
Flare Connections	1/4", 1/4", 1/4", 1/4" (Liquid) 3/8", 3/8", 3/8", 1/2" (Vapor)

Outdoor Unit

Compressor	DC inverter Driven Rotary
Uncrated Dimension (HxWxD)	33 1/8 x 37 3/8 x 13 1/2 in (840 x 948 x 340 mm)
Crated (HxWxD)	41 3/8 x 41 3/4 x 16 1/2 in (1048 x 1060 x 420 mm)
Outdoor Sound Rating dB	58
Heat Exchanger Fin Type	Blue Fin
Weight (Ship/Net)	191.6/157.8 lbs
Factory Refrigerant Charge	R-410A (90.0 oz)



GE APPLIANCES
a Haier company

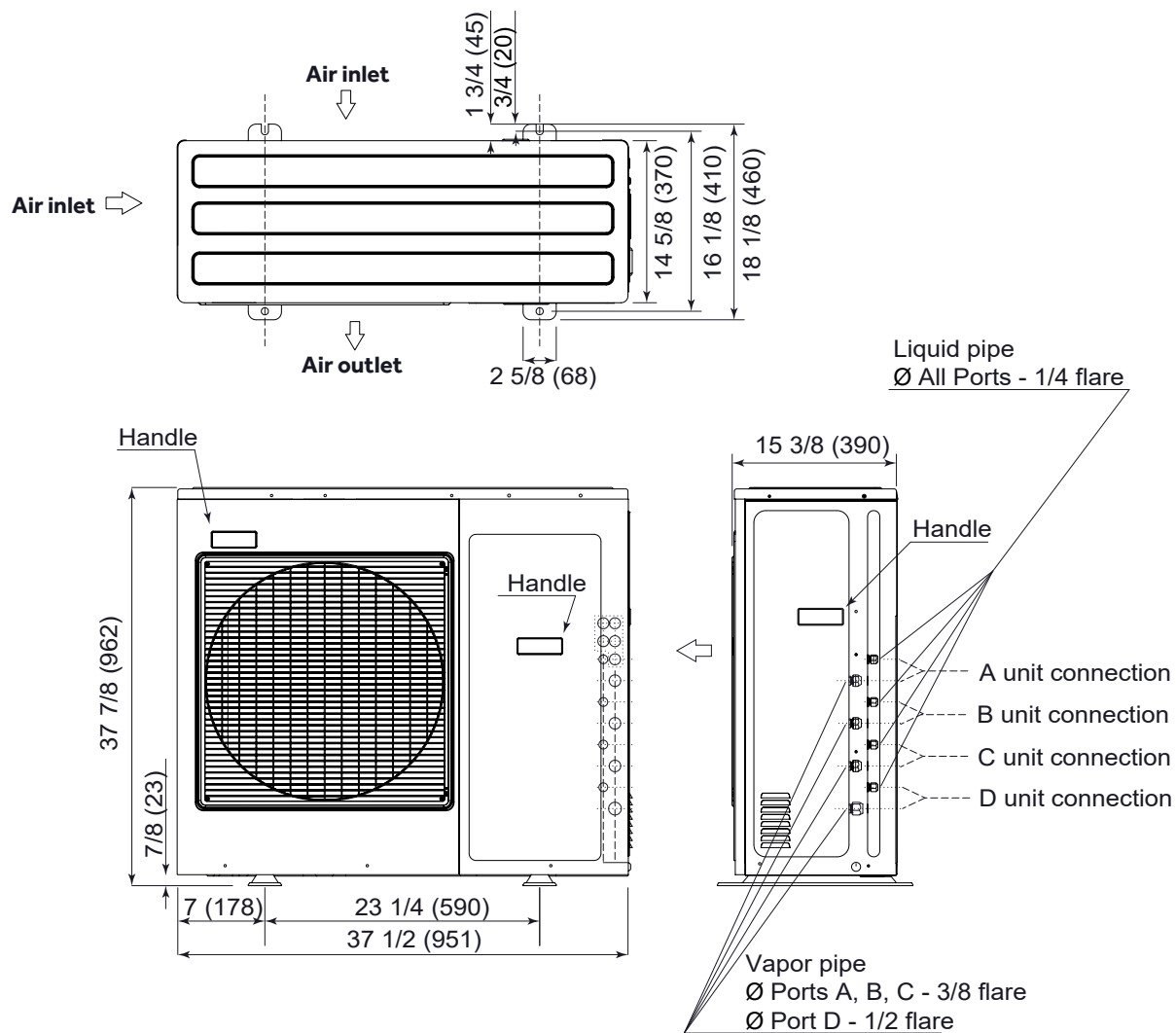
For more information visit us:
www.Haierductless.com
www.Haierductlesshelp.com



Haier FlexFit Multi Series Submittal

36000 BTU/HR INVERTER DRIVEN MULTI-ZONE HEAT PUMP SYSTEM

4U36MS2HDA



Haier FlexFit Multi Series Submittal

36000 BTU/HR INVERTER DRIVEN MULTI-ZONE HEAT PUMP SYSTEM

4U36MS2HDA

Heating Capacity Data - Non Ducted

Outdoor Air Temp DB	Indoor Set Temperature								
	60°F (16°C)			70°F (21°C)			77°F (25°C)		
	Maximum Heating Capacity (Btu/h)	Power Usage (w)	COP	Max Heating Capacity (Btu/h)	Power Usage (w)	COP	Max Heating Capacity (Btu/h)	Power Usage (w)	COP
-4°F (-20°C)	18,900	3,125	1.77	18,000	3,100	1.70	17,100	3,075	1.63
5°F (-15°C)	23,100	3,705	1.83	22,000	3,680	1.75	20,900	3,655	1.68
17°F (-8°C)	31,500	4,725	1.95	30,000	4,700	1.87	28,500	4,675	1.79
47°F (8°C)	45,360	4,825	2.76	43,200	4,800	2.64	41,040	4,775	2.52

Heating Capacity Data - Ducted

Outdoor Air Temp DB	Indoor Set Temperature								
	60°F (16°C)			70°F (21°C)			77°F (25°C)		
	Maximum Heating Capacity (Btu/h)	Power Usage (w)	COP	Max Heating Capacity (Btu/h)	Power Usage (w)	COP	Max Heating Capacity (Btu/h)	Power Usage (w)	COP
-4°F (-20°C)	17,850	3,305	1.58	17,000	3,280	1.52	16,150	3,255	1.45
5°F (-15°C)	22,050	3,445	1.88	21,000	3,420	1.80	19,950	3,395	1.72
17°F (-8°C)	33,600	5,205	1.89	32,000	5,180	1.81	30,400	5,155	1.73
47°F (8°C)	45,360	5,305	2.51	43,200	5,280	2.40	41,040	5,255	2.29

Capacity and power usage are measured under the assumption of indoor humidity of 46%

Cooling Capacity Data - Non Ducted

Outdoor Air Temp DB	Indoor Set Temperature								
	70°F (21°C)			75°F (24°C)			80°F (27°C)		
	Maximum Cooling Capacity (Btu/h)	Power Usage (w)	EER	Maximum Cooling Capacity (Btu/h)	Power Usage (w)	EER	Maximum Cooling Capacity (Btu/h)	Power Usage (w)	EER
14°F (-10°C)	39,163	4,723	2.43	40,193	4,771	2.47	41,224	4,820	2.51
23°F (-5°C)	39,962	4,779	2.45	41,013	4,827	2.49	42,065	4,876	2.53
32°F (0°C)	40,777	4,835	2.47	41,850	4,883	2.51	42,923	4,933	2.55
50°F (10°C)	41,609	4,890	2.49	42,704	4,939	2.53	43,799	4,990	2.57
65°F (18°C)	43,799	5,057	2.54	44,951	5,108	2.58	46,104	5,160	2.62
75°F (24°C)	43,411	5,224	2.44	44,554	5,276	2.47	45,696	5,330	2.51
85°F (29°C)	42,636	5,390	2.32	43,758	5,445	2.36	44,880	5,500	2.39
95°F (35°C)	38,760	5,557	2.04	39,780	5,613	2.08	40,800	5,670	2.11
105°F (41°C)	29,070	6,113	1.39	29,835	6,174	1.42	30,600	5,954	1.51
115°F (46°C)	20,969	5,835	1.05	21,521	5,894	1.07	22,073	6,010	1.08

Cooling Capacity Data - Ducted

Outdoor Air Temp DB	Indoor Set Temperature								
	70°F (21°C)			75°F (24°C)			80°F (27°C)		
	Maximum Cooling Capacity (Btu/h)	Power Usage (w)	EER	Maximum Cooling Capacity (Btu/h)	Power Usage (w)	EER	Maximum Cooling Capacity (Btu/h)	Power Usage (w)	EER
14°F (-10°C)	39,163	4,831	2.38	40,193	4,881	2.41	41,224	4,930	2.45
23°F (-5°C)	39,962	4,888	2.40	41,013	4,938	2.43	42,065	4,988	2.47
32°F (0°C)	40,777	4,945	2.42	41,850	4,996	2.46	42,923	5,046	2.49
50°F (10°C)	41,609	5,002	2.44	42,704	5,053	2.48	43,799	5,104	2.52
65°F (18°C)	43,799	5,172	2.48	44,951	5,225	2.52	46,104	5,278	2.56
75°F (24°C)	43,411	5,343	2.38	44,554	5,397	2.42	45,696	5,452	2.46
85°F (29°C)	42,636	5,513	2.27	43,758	5,570	2.30	44,880	5,626	2.34
95°F (35°C)	38,760	5,684	2.00	39,780	5,742	2.03	40,800	5,800	2.06
105°F (41°C)	29,070	6,252	1.36	29,835	6,316	1.38	30,600	6,380	1.41
115°F (46°C)	21,851	5,968	1.07	22,426	6,029	1.09	23,001	6,090	1.11

Capacity and power usage are measured under the assumption of indoor humidity of 46%

Haier FlexFit Multi Series Submittal

7000 BTU/HR WALL MOUNTED INVERTER DRIVEN HEAT PUMP SYSTEM(INDOOR for multi-zone) AW07LC2VHB

Job Name: _____
 Purchaser: _____
 Submitted To: _____
 Construction: _____
 Reference: _____

Approval: _____
 Date: _____
 Submitted By: _____
 Unit: _____
 Drawing #: _____



Electrical Requirement

Power Supply	208/230V, 1 Phase, 60 HZ
Operating Voltage Range	187~253 VAC

Performance

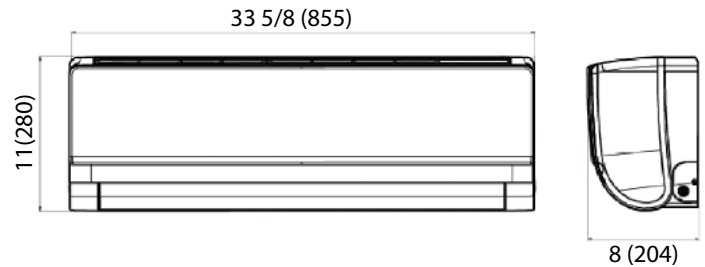
Rated Cooling Capacity	7,000 BTU
Rated Heating Capacity	8,000 BTU

Piping

Flare Connections	1/4" (Liquid) 3/8" (Vapor)
-------------------	-------------------------------

Indoor Unit

Uncrated Dimension (HxWxD)	11 x 33 5/8 x 8 in (280 x 855 x 204 mm)
Crated (HxWxD)	14 x 37 1/2 x 11 in (355 x 954 x 279 mm)
Airflow CFM (Turbo/High/Med/Low/Quiet)	410/350/295/235/205
Indoor Sound Level dB (Turbo/High/Med/Low/Quiet)	43/38/33/26/22
Motor Rating (HP)	0.054
Heat Exchanger Fin Type	Blue Fin
Weight (Ship/Net)	26.9/22.0 lbs



Accessories

Remote Controller

Ships with Standard Remote Control (YR-HG)

Compatible Wired Controllers (requires WK-B adapter)

Simplified Wired Controller (QACT17A)
 Programmable Wired Controller (YR-E16B)

WiFi

Compatible with WiFi Module (QAWF01A)



For more information visit us:
www.Haierductless.com
www.Haierductlesshelp.com



Haier FlexFit Multi Series Submittal

9000 BTU/HR WALL MOUNTED INVERTER DRIVEN HEAT PUMP SYSTEM(INDOOR for multi-zone)

AW09LC2VHB

Job Name: _____

Purchaser: _____

Submitted To: _____

Construction: _____

Reference: _____

Approval: _____

Date: _____

Submitted By: _____

Unit: _____

Drawing #: _____



Electrical Requirement

Power Supply	208/230V, 1 Phase, 60 HZ
Operating Voltage Range	187~253 VAC

Performance

Rated Cooling Capacity	9,000 BTU
Rated Heating Capacity	10,000 BTU

Piping

Flare Connections	1/4" (Liquid) 3/8" (Vapor)
-------------------	-------------------------------

Accessories

Remote Controller

Ships with Standard Remote Control (YR-HG)

Compatible Wired Controllers (requires WK-B adapter)

Simplified Wired Controller (QACT17A)

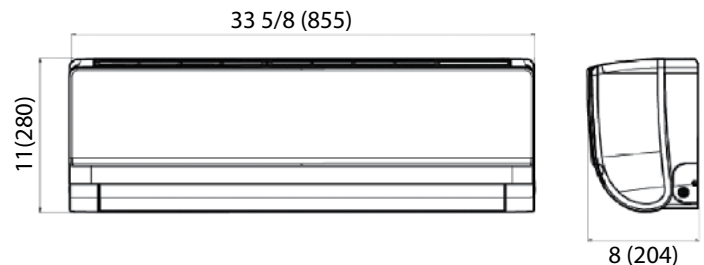
Programmable Wired Controller (YR-E16B)

WiFi

Compatible with WiFi Module (QAWF01A)

Indoor Unit

Uncrated Dimension (HxWxD)	11 x 33 5/8 x 8 in (280 x 855 x 204 mm)
Crated (HxWxD)	14 x 37 1/2 x 11 in (355 x 954 x 279 mm)
Airflow CFM (Turbo/High/Med/Low/Quiet)	410/350/295/235/205
Indoor Sound Level dB (Turbo/High/Med/Low/Quiet)	43/38/33/26/22
Motor Rating (HP)	0.054
Heat Exchanger Fin Type	Blue Fin
Weight (Ship/Net)	26.9/22.0 lbs



For more information visit us:
www.Haierductless.com
www.Haierductlesshelp.com

Haier FlexFit Multi Series Submittal

12000 BTU/HR WALL MOUNTED INVERTER DRIVEN HEAT PUMP SYSTEM(INDOOR for multi-zone)

AW12LC2VHB

Job Name: _____

Purchaser: _____

Submitted To: _____

Construction: _____

Reference: _____

Approval: _____

Date: _____

Submitted By: _____

Unit: _____

Drawing #: _____



Electrical Requirement

Power Supply	208/230V, 1 Phase, 60 HZ
Operating Voltage Range	187~253 VAC

Performance

Rated Cooling Capacity	12,000 BTU
Rated Heating Capacity	13,000 BTU

Piping

Flare Connections	1/4" (Liquid) 3/8" (Vapor)
-------------------	-------------------------------

Accessories

Remote Controller

Ships with Standard Remote Control (YR-HG)

Compatible Wired Controllers (requires WK-B adapter)

Simplified Wired Controller (QACT17A)

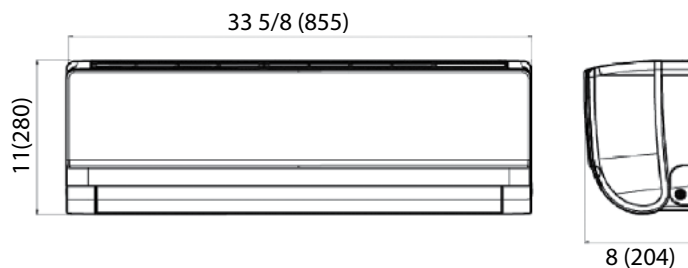
Programmable Wired Controller (YR-E16B)

WiFi

Compatible with WiFi Module (QAWF01A)

Indoor Unit

Uncrated Dimension (HxWxD)	11 x 33 5/8 x 8 in (280 x 855 x 204 mm)
Crated (HxWxD)	14 x 37 1/2 x 11 in (355 x 954 x 279 mm)
Airflow CFM (Turbo/High/Med/Low/Quiet)	440/380/320/265/215
Indoor Sound Level dB (Turbo/High/Med/Low/Quiet)	44/39/34/27/23
Motor Rating (HP)	0.054
Heat Exchanger Fin Type	Blue Fin
Weight (Ship/Net)	26.9/22.0 lbs



For more information visit us:
www.Haierductless.com
www.Haierductlesshelp.com

Haier FlexFit Multi Series Submittal

18000 BTU/HR WALL MOUNTED INVERTER DRIVEN HEAT PUMP SYSTEM(INDOOR for multi-zone)

AW18LC2VHB

Job Name: _____

Purchaser: _____

Submitted To: _____

Construction: _____

Reference: _____

Approval: _____

Date: _____

Submitted By: _____

Unit: _____

Drawing #: _____



Electrical Requirement

Power Supply	208/230V, 1 Phase, 60 HZ
Operating Voltage Range	187~253 VAC

Performance

Rated Cooling Capacity	18,000 BTU
Rated Heating Capacity	19,000 BTU

Piping

Flare Connections	1/4" (Liquid)
	1/2" (Vapor)

Accessories

Remote Controller

Ships with Standard Remote Control (YR-HG)

Compatible Wired Controllers (requires WK-B adapter)

Simplified Wired Controller (QACT17A)

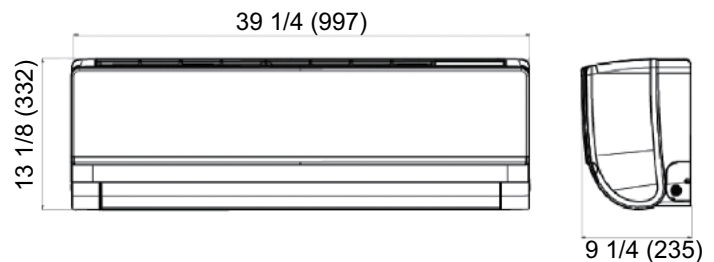
Programmable Wired Controller (YR-E16B)

WiFi

Compatible with WiFi Module (QAWF01A)

Indoor Unit

Uncrated Dimension (HxWxD)	13 1/8 x 39 1/4 x 9 1/4 in (332 x 997 x 235 mm)
Crated (HxWxD)	15 7/8 x 42 3/4 x 13 in (403 x 1085 x 329 mm)
Airflow CFM (Turbo/High/Med/Low/Quiet)	636/530/483/430/383
Indoor Sound Level dB (Turbo/High/Med/Low/Quiet)	48/45/40/35/30
Motor Rating (HP)	0.054
Heat Exchanger Fin Type	Blue Fin
Weight (Ship/Net)	35.3/28.7 lbs



For more information visit us:
www.Haierductless.com
www.Haierductlesshelp.com

Haier FlexFit Multi Series Submittal

24,000 BTU/HR WALL MOUNTED INVERTER DRIVEN HEAT PUMP SYSTEM(INDOOR for multi-zone)

AW24LP2VHA

Job Name: _____

Purchaser: _____

Submitted To: _____

Construction: _____

Reference: _____

Approval: _____

Date: _____

Submitted By: _____

Unit: _____

Drawing #: _____



Electrical Requirement

Power Supply	208/230V, 1 Phase, 60 HZ
Operating Voltage Range	187~253 VAC

Performance

Rated Cooling Capacity	24,000 BTU
Rated Heating Capacity	27,000 BTU

Piping

Flare Connections	3/8" (Liquid) 5/8" (Vapor)
-------------------	-------------------------------

Accessories

Remote Controller

Ships with Standard Remote Control (YR-HG)

Compatible Wired Controllers (requires WK-B adapter)

Simplified Wired Controller (QACT17A)

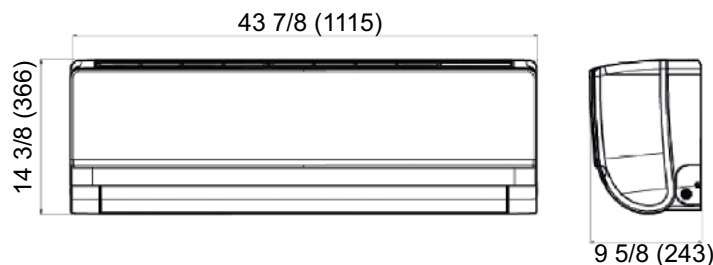
Programmable Wired Controller (YR-E16B)

WiFi

Compatible with WiFi Module (QAWF01A)

Indoor Unit

Uncrated Dimension (HxWxD)	14 3/8 x 43 7/8 x 9 5/8 in (366 x 1115 x 243 mm)
Crated (HxWxD)	16 1/2 x 47 1/2 x 13 1/2 in (418 x 1206 x 342 mm)
Airflow CFM (Turbo/High/Med/Low/Quiet)	710/650/560/440/410
Indoor Sound Level dB (Turbo/High/Med/Low/Quiet)	49/47/42/36/34
Motor Rating (HP)	0.094
Heat Exchanger Fin Type	Blue Fin
Weight (Ship/Net)	45.4/37.5 lbs



For more information visit us:
www.Haierductless.com
www.Haierductlesshelp.com

Haier FlexFit Multi Series Submittal

7,000 BTU/HR WALL MOUNTED INVERTER DRIVEN HEAT PUMP SYSTEM(INDOOR for multi-zone)

AW07TC2HDA

Job Name: _____

Purchaser: _____

Submitted To: _____

Construction: _____

Reference: _____

Approval: _____

Date: _____

Submitted By: _____

Unit: _____

Drawing #: _____



Electrical Requirement

Power Supply	208/230V, 1 Phase, 60 HZ
Operating Voltage Range	187~253 VAC

Performance

Rated Cooling Capacity	7,000 BTU
Rated Heating Capacity	8,000 BTU

Piping

Flare Connections	1/4" (Liquid) 3/8" (Vapor)
-------------------	-------------------------------

Accessories

Remote Controller

Ships with Standard Remote Control (YR-HG)

Compatible Wired Controllers (no adapter required)

Simplified Wired Controller (QACT17A)

Programmable Wired Controller (YR-E16B)

Built-in WiFi

Indoor Unit

Uncrated Dimension (HxWxD)	12 x 33 3/4 x 7 3/4 in (301 x 856 x 196 mm)
Crated (HxWxD)	14 3/4 x 36 7/8 x 10 1/2 in (374 x 937 x 265 mm)
Airflow CFM (Turbo/High/Med/Low/Quiet)	400/315/274/222/187
Indoor Sound Level dB (Turbo/High/Med/Low/Quiet)	42/36/33/29/26
Motor Rating (HP)	0.04
Heat Exchanger Fin Type	Blue Fin
Weight (Ship/Net)	26.9/21.2 lbs



For more information visit us:
www.Haierductless.com
www.Haierductlesshelp.com

Haier FlexFit Multi Series Submittal

9,000 BTU/HR WALL MOUNTED INVERTER DRIVEN HEAT PUMP SYSTEM(INDOOR for multi-zone)

AW09TC2HDA

Job Name: _____

Purchaser: _____

Submitted To: _____

Construction: _____

Reference: _____

Approval: _____

Date: _____

Submitted By: _____

Unit: _____

Drawing #: _____



Electrical Requirement

Power Supply	208/230V, 1 Phase, 60 HZ
Operating Voltage Range	187~253 VAC

Performance

Rated Cooling Capacity	9,000 BTU
Rated Heating Capacity	10,000 BTU

Piping

Flare Connections	1/4" (Liquid) 3/8" (Vapor)
-------------------	-------------------------------

Accessories

Remote Controller

Ships with Standard Remote Control (YR-HG)

Compatible Wired Controllers (no adapter required)

Simplified Wired Controller (QACT17A)

Programmable Wired Controller (YR-E16B)

Built-in WiFi

Indoor Unit

Uncrated Dimension (HxWxD)	12 x 33 3/4 x 7 3/4 in (301 x 856 x 196 mm)
Crated (HxWxD)	14 3/4 x 36 7/8 x 10 1/2 in (374 x 937 x 265 mm)
Airflow CFM (Turbo/High/Med/Low/Quiet)	421/332/292/242/200
Indoor Sound Level dB (Turbo/High/Med/Low/Quiet)	42/36/33/29/26
Motor Rating (HP)	0.04
Heat Exchanger Fin Type	Blue Fin
Weight (Ship/Net)	26.9/21.2 lbs



For more information visit us:
www.Haierductless.com
www.Haierductlesshelp.com

Haier FlexFit Multi Series Submittal

12,000 BTU/HR WALL MOUNTED INVERTER DRIVEN HEAT PUMP SYSTEM(INDOOR for multi-zone)

AW12TC2HDA

Job Name: _____

Purchaser: _____

Submitted To: _____

Construction: _____

Reference: _____

Approval: _____

Date: _____

Submitted By: _____

Unit: _____

Drawing #: _____



Electrical Requirement

Power Supply	208/230V, 1 Phase, 60 HZ
Operating Voltage Range	187~253 VAC

Performance

Rated Cooling Capacity	12,000 BTU
Rated Heating Capacity	13,000 BTU

Piping

Flare Connections	1/4" (Liquid) 3/8" (Vapor)
-------------------	-------------------------------

Accessories

Remote Controller

Ships with Standard Remote Control (YR-HG)

Compatible Wired Controllers (no adapter required)

Simplified Wired Controller (QACT17A)

Programmable Wired Controller (YR-E16B)

Built-in WiFi

Indoor Unit

Uncrated Dimension (HxWxD)	12 x 33 3/4 x 7 3/4 in (301 x 856 x 196 mm)
Crated (HxWxD)	14 3/4 x 36 7/8 x 10 1/2 in (374 x 937 x 265 mm)
Airflow CFM (Turbo/High/Med/Low/Quiet)	426/360/310/265/200
Indoor Sound Level dB (Turbo/High/Med/Low/Quiet)	42/38/34/31/26
Motor Rating (HP)	0.04
Heat Exchanger Fin Type	Blue Fin
Weight (Ship/Net)	26.9/21.2 lbs



For more information visit us:
www.Haierductless.com
www.Haierductlesshelp.com

Haier FlexFit Multi Series Submittal

18,000 BTU/HR WALL MOUNTED INVERTER DRIVEN HEAT PUMP SYSTEM(INDOOR for multi-zone)

AW18TC2HDA

Job Name: _____

Purchaser: _____

Submitted To: _____

Construction: _____

Reference: _____

Approval: _____

Date: _____

Submitted By: _____

Unit: _____

Drawing #: _____



Electrical Requirement

Power Supply	208/230V, 1 Phase, 60 HZ
Operating Voltage Range	187~253 VAC

Performance

Rated Cooling Capacity	18,000 BTU
Rated Heating Capacity	19,000 BTU

Piping

Flare Connections	1/4" (Liquid)
	1/2" (Vapor)

Accessories

Remote Controller

Ships with Standard Remote Control (YR-HG)

Compatible Wired Controllers (no adapter required)

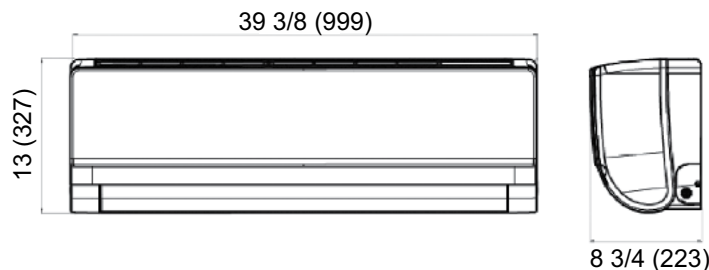
Simplified Wired Controller (QACT17A)

Programmable Wired Controller (YR-E16B)

Built-in WiFi

Indoor Unit

Uncrated Dimension (HxWxD)	13 x 39 3/8 x 8 3/4 in (327 x 999 x 223 mm)
Crated (HxWxD)	16 1/2 x 43 3/8 x 12 3/8 in (420 x 1100 x 313 mm)
Airflow CFM (Turbo/High/Med/Low/Quiet)	596/532/478/422/340
Indoor Sound Level dB (Turbo/High/Med/Low/Quiet)	48/45/42/39/36
Motor Rating (HP)	0.054
Heat Exchanger Fin Type	Blue Fin
Weight (Ship/Net)	34.77/28.06 lbs



For more information visit us:
www.Haierductless.com
www.Haierductlesshelp.com

Haier FlexFit Multi Series Submittal

24,000 BTU/HR WALL MOUNTED INVERTER DRIVEN HEAT PUMP SYSTEM(INDOOR for multi-zone) AW24TC2HDA

Job Name: _____

Purchaser: _____

Submitted To: _____

Construction: _____

Reference: _____

Approval: _____

Date: _____

Submitted By: _____

Unit: _____

Drawing #: _____



Electrical Requirement

Power Supply	208/230V, 1 Phase, 60 HZ
Operating Voltage Range	187~253 VAC

Performance

Rated Cooling Capacity	22,000 BTU
Rated Heating Capacity	24,000 BTU

Piping

Flare Connections	1/4" (Liquid)
	1/2" (Vapor)

Accessories

Remote Controller

Ships with Standard Remote Control (YR-HG)

Compatible Wired Controllers (no adapter required)

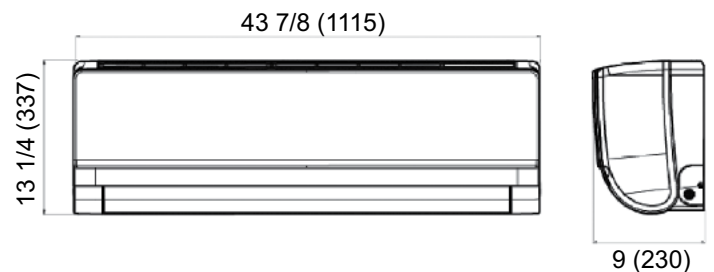
Simplified Wired Controller (QACT17A)

Programmable Wired Controller (YR-E16B)

Built-in WiFi

Indoor Unit

Uncrated Dimension (HxWxD)	13 1/4 x 43 7/8 x 9 in (337 x 1115 x 230 mm)
Crated (HxWxD)	17 x 47 3/8 x 12 5/8 in (432 x 1202 x 319 mm)
Airflow CFM (Turbo/High/Med/Low/Quiet)	846/744/668/592/482
Indoor Sound Level dB (Turbo/High/Med/Low/Quiet)	50/47/44/41/38
Motor Rating (HP)	0.094
Heat Exchanger Fin Type	Blue Fin
Weight (Ship/Net)	42.99/34.88 lbs



For more information visit us:
www.Haierductless.com
www.Haierductlesshelp.com

Haier FlexFit Multi Series Submittal

9000 BTU/HR CASSETTE TYPE INDOOR

AB09SC2VHA

Job Name: _____

Purchaser: _____

Submitted To: _____

Construction: _____

Reference: _____

Approval: _____

Date: _____

Submitted By: _____

Unit: _____

Drawing #: _____



Electrical Requirement

Power Supply	208/230V, 1 Phase, 60 HZ
Operating Voltage Range	187~253 VAC

Performance

Rated Cooling Capacity	9,000 BTU
Rated Heating Capacity	10,000 BTU

Piping

Flare Connections	1/4" (Liquid) 3/8" (Vapor)
-------------------	-------------------------------

Indoor Unit

Chassis Uncrated Dimension (HxWxD)	10 1/4 x 22 1/2 x 22 1/2 in (260 x 570 x 570 mm)
Chassis Crated (HxWxD)	15 x 28 1/4 x 26 3/4 in (380 x 718 x 680 mm)
Panel Uncrated Dimension (HxWxD)	2 3/8 x 27 1/2 x 27 1/2 in (60 x 700 x 700 mm)
Panel Crated (HxWxD)	4 1/2 x 29 1/8 x 29 1/2 in (115 x 740 x 750 mm)
Airflow CFM (Turbo/High/Med/Low/Quiet)	410/365/305/265/205
Indoor Sound Level dB (Turbo/High/Med/Low/Quiet)	42/40/36/32/25
Motor Rating (HP)	0.033
Heat Exchanger Fin Type	Blue Fin
Condensate Pump	Included - 47.2 in Lift
Weight (Ship/Net)	46.3/37.5 lbs

Accessories

Remote Controller

Ships with Standard Remote Control (YR-HG)

Compatible Wired Controllers

Simplified Wired Controller (QACT17A)

Programmable Wired Controller (YR-E16B)

Panel

PB-700KB is required to complete the installation and it must be ordered separately.

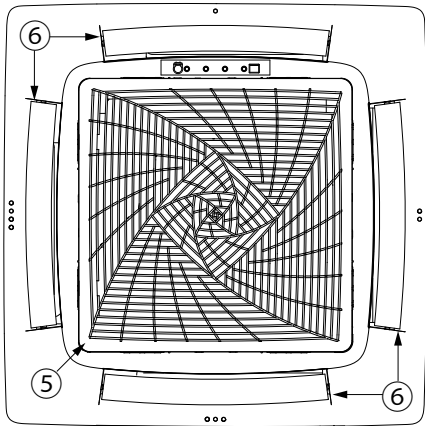


For more information visit us:
www.Haierductless.com
www.Haierductlesshelp.com

Haier FlexFit Multi Series Submittal

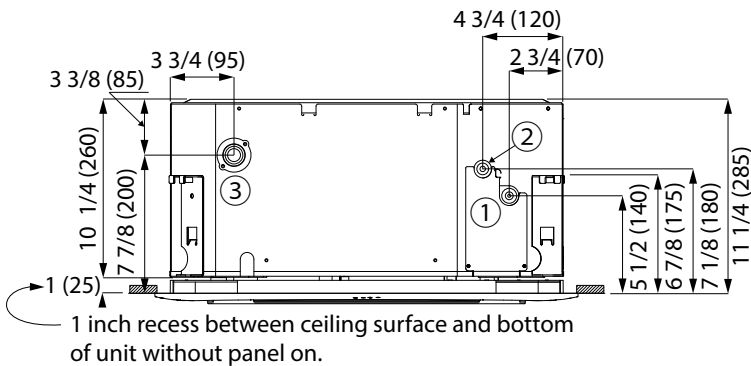
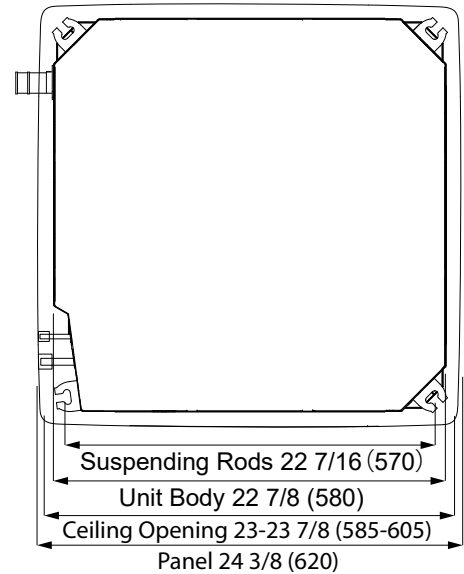
9000 BTU/HR CASSETTE TYPE INDOOR

AB09SC2VHA

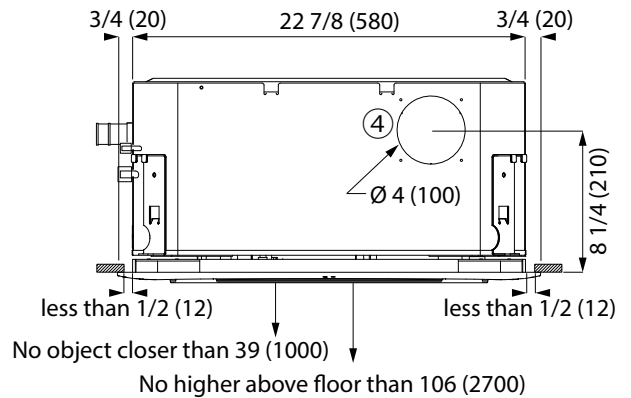


#	Part Name
1	Vapor Pipe
2	Liquid Pipe
3	Drain Pump Outlet
4	Fresh Air Inlet
5	Air Return Grille
6	Air Supply

More than 59 (1500) to wall on all sides



1 inch recess between ceiling surface and bottom of unit without panel on.



Haier FlexFit Multi Series Submittal

12000 BTU/HR CASSETTE TYPE INDOOR

AB12SC2VHA

Job Name: _____

Purchaser: _____

Submitted To: _____

Construction: _____

Reference: _____

Approval: _____

Date: _____

Submitted By: _____

Unit: _____

Drawing #: _____



Electrical Requirement

Power Supply	208/230V, 1 Phase, 60 HZ
Operating Voltage Range	187~253 VAC

Performance

Rated Cooling Capacity	12,000 BTU
Rated Heating Capacity	13,000 BTU

Piping

Flare Connections	1/4" (Liquid) 3/8" (Vapor)
-------------------	-------------------------------

Indoor Unit

Chassis Uncrated Dimension (HxWxD)	10 1/4 x 22 1/2 x 22 1/2 in (260 x 570 x 570 mm)
Chassis Crated (HxWxD)	15 x 28 1/4 x 26 3/4 in (380 x 718 x 680 mm)
Panel Uncrated Dimension (HxWxD)	2 3/8 x 27 1/2 x 27 1/2 in (60 x 700 x 700 mm)
Panel Crated (HxWxD)	4 1/2 x 29 1/8 x 29 1/2 in (115 x 740 x 750 mm)
Airflow CFM (Turbo/High/Med/Low/Quiet)	410/365/305/265/205
Indoor Sound Level dB (Turbo/High/Med/Low/Quiet)	42/40/36/32/25
Motor Rating (HP)	0.033
Heat Exchanger Fin Type	Blue Fin
Condensate Pump	Included - 47.2 in Lift
Weight (Ship/Net)	48.5/40.8 lbs

Accessories

Remote Controller

Ships with Standard Remote Control (YR-HG)

Compatible Wired Controllers

Simplified Wired Controller (QACT17A)

Programmable Wired Controller (YR-E16B)

Panel

PB-700KB is required to complete the installation and it must be ordered separately

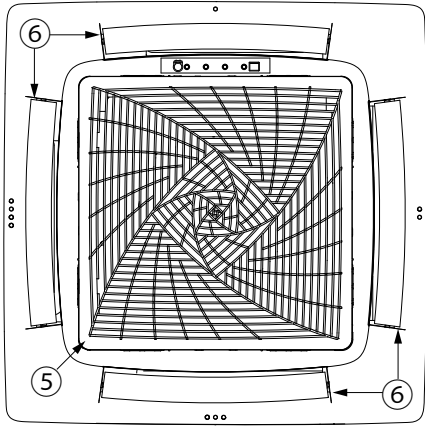


For more information visit us:
www.Haierductless.com
www.Haierductlesshelp.com

Haier FlexFit Multi Series Submittal

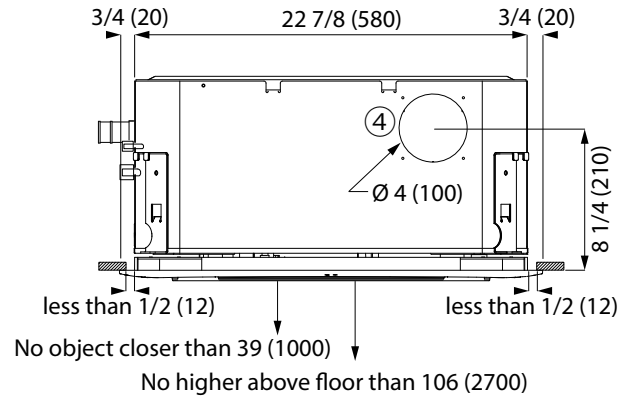
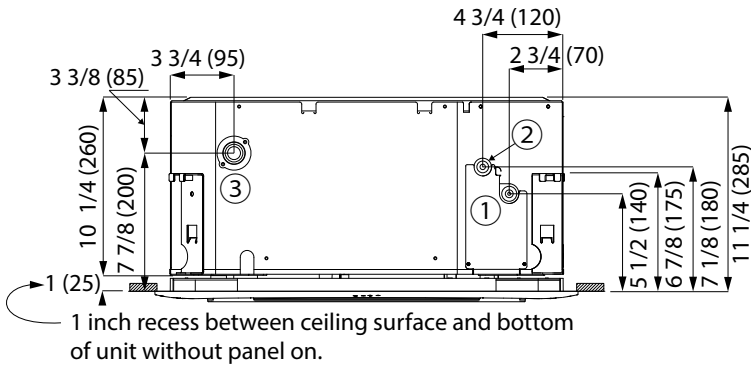
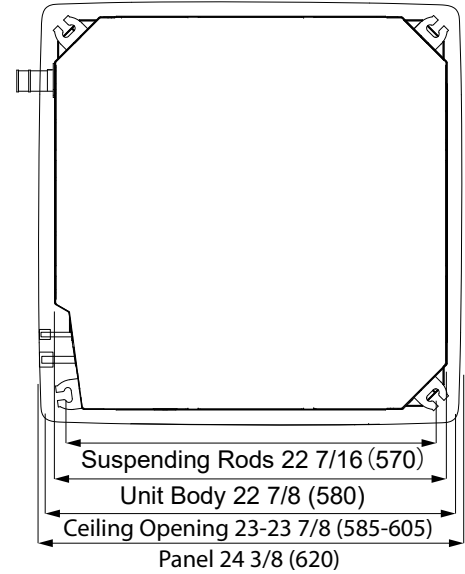
12000 BTU/HR CASSETTE TYPE INDOOR

AB12SC2VHA



#	Part Name
1	Vapor Pipe
2	Liquid Pipe
3	Drain Pump Outlet
4	Fresh Air Inlet
5	Air Return Grille
6	Air Supply

More than 59 (1500) to wall on all sides



Haier FlexFit Multi Series Submittal

18000 BTU/HR CASSETTE TYPE INDOOR

AB18SC2VHA

Job Name: _____

Purchaser: _____

Submitted To: _____

Construction: _____

Reference: _____

Approval: _____

Date: _____

Submitted By: _____

Unit: _____

Drawing #: _____



Electrical Requirement

Power Supply	208/230V, 1 Phase, 60 HZ
Operating Voltage Range	187~253 VAC

Performance

Rated Cooling Capacity	18,000 BTU
Rated Heating Capacity	19,000 BTU

Piping

Flare Connections	1/4" (Liquid) 1/2" (Vapor)
-------------------	-------------------------------

Indoor Unit

Chassis Uncrated Dimension (HxWxD)	10 1/4 x 22 1/2 x 22 1/2 in (260 x 570 x 570 mm)
Chassis Crated (HxWxD)	15 x 28 1/4 x 26 3/4 in (380 x 718 x 680 mm)
Panel Uncrated Dimension (HxWxD)	2 3/8 x 27 1/2 x 27 1/2 in (60 x 700 x 700 mm)
Panel Crated (HxWxD)	4 1/2 x 29 1/8 x 29 1/2 in (115 x 740 x 750 mm)
Airflow CFM (Turbo/High/Med/Low/Quiet)	470/410/365/295/252
Indoor Sound Level dB (Turbo/High/Med/Low/Quiet)	45/42/40/36/32
Motor Rating (HP)	0.033
Heat Exchanger Fin Type	Blue Fin
Condensate Pump	Included - 47.2 in Lift
Weight (Ship/Net)	48.5/40.8 lbs

Accessories

Remote Controller

Ships with Standard Remote Control (YR-HG)

Compatible Wired Controllers

Simplified Wired Controller (QACT17A)

Programmable Wired Controller (YR-E16B)

Panel

PB-700KB is required to complete the installation and it must be ordered separately

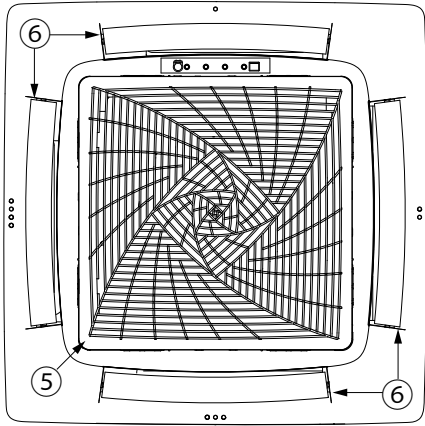


For more information visit us:
www.Haierductless.com
www.Haierductlesshelp.com

Haier FlexFit Multi Series Submittal

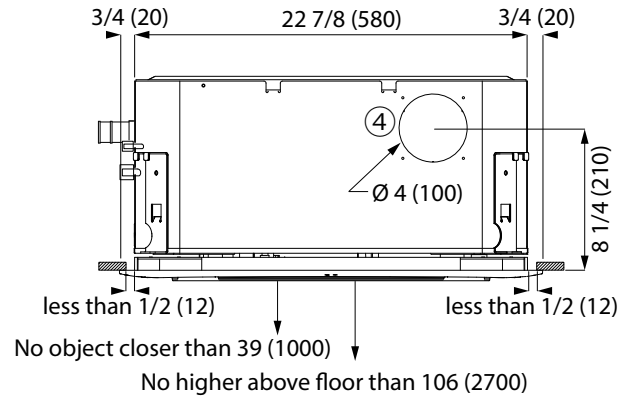
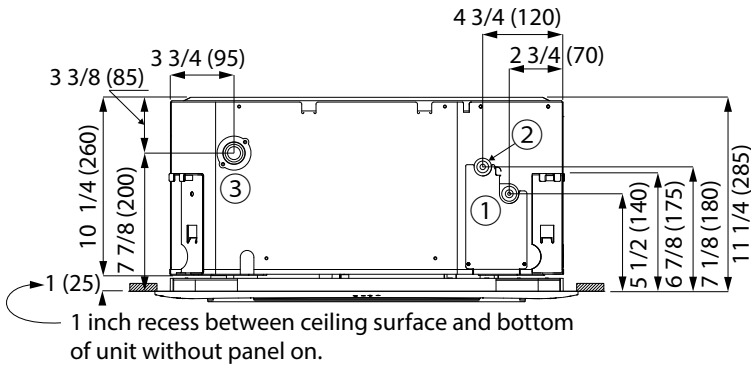
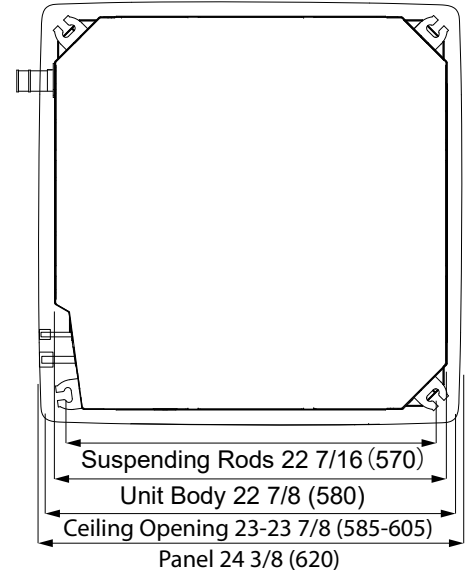
18000 BTU/HR CASSETTE TYPE INDOOR

AB18SC2VHA



#	Part Name
1	Vapor Pipe
2	Liquid Pipe
3	Drain Pump Outlet
4	Fresh Air Inlet
5	Air Return Grille
6	Air Supply

More than 59 (1500) to wall on all sides



Haier FlexFit Multi Series Submittal

24,000 BTU/HR CASSETTE TYPE INDOOR

AL24LP2VHA

Job Name: _____

Purchaser: _____

Submitted To: _____

Construction: _____

Reference: _____

Approval: _____

Date: _____

Submitted By: _____

Unit: _____

Drawing #: _____



Electrical Requirement

Power Supply	208/230V, 1 Phase, 60 HZ
Operating Voltage Range	187~253 VAC

Performance

Rated Cooling Capacity	24,000 BTU
Rated Heating Capacity	27,300 BTU

Piping

Flare Connections	3/8" (Liquid)
	5/8" (Vapor)

Indoor Unit

Chassis Uncrated Dimension (HxWxD)	9 5/8 x 33 1/8 x 33 1/8 in (246 x 840 x 840 mm)
Chassis Crated (HxWxD)	12 1/4 x 39 x 39 in (310 x 990 x 990 mm)
Panel Uncrated Dimension (HxWxD)	2 x 37 3/8 x 37 3/8 (50 x 950 x 950 mm)
Panel Crated (HxWxD)	4 3/8 x 39 3/8 x 39 3/8 (110 x 1000 x 1000 mm)
Airflow CFM (Turbo/High/Med/Low/Quiet)	740/630/480/400
Indoor Sound Level dB (Turbo/High/Med/Low/Quiet)	36/33/29/26
Motor Rating (HP)	0.0161
Heat Exchanger Fin Type	Blue Fin
Condensate Pump	Included - 47.2 in Lift
Weight (Ship/Net)	79.4/68.3 lbs

Accessories

Remote Controller

Ships with Large Cassette Remote (YR-HBS01)

Compatible Wired Controllers

Simplified Wired Controller (QACT17A)

Programmable Wired Controller (YR-E16B)

Panel

PB-950KB

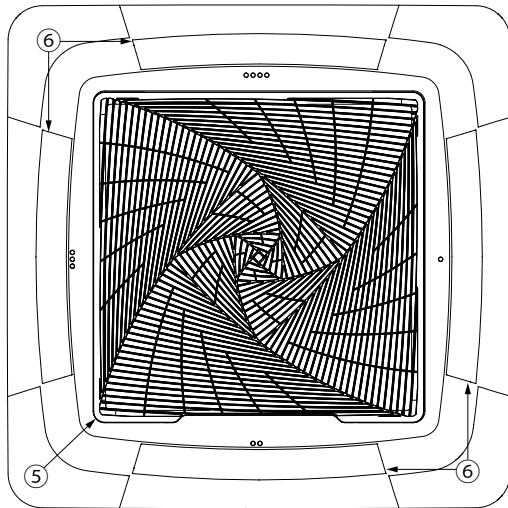


For more information visit us:
www.Haierductless.com
www.Haierductlesshelp.com

Haier FlexFit Multi Series Submittal

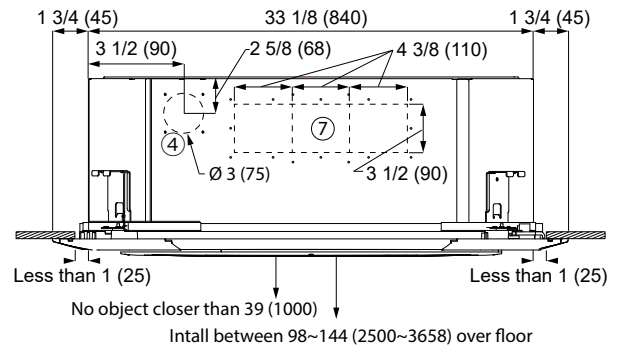
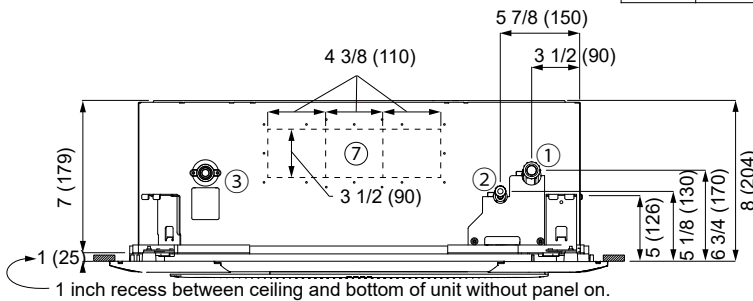
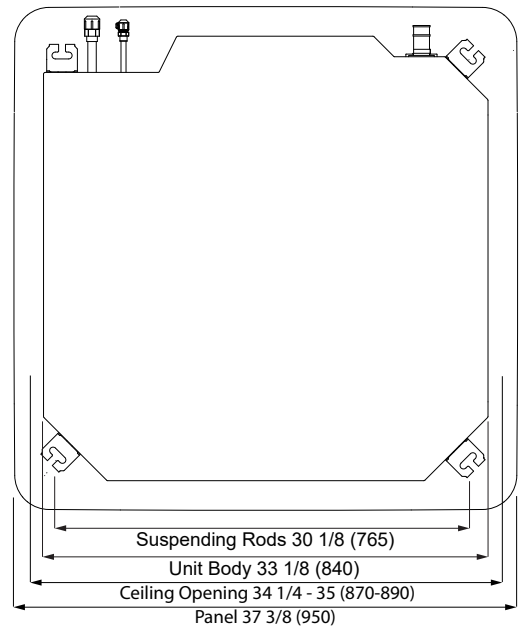
24,000 BTU/HR CASSETTE TYPE INDOOR

AL24LP2VHA



More than 59 (1500) to wall on all sides

#	Part Name
1	Vapor Pipe
2	Liquid Pipe
3	Drain Pump Outlet
4	Fresh Air Inlet
5	Air Return Grille
6	Air Supply
7	Auxiliary Air Supply



Haier FlexFit Multi Series Submittal

7000 BTU/HR SLIM DUCT TYPE INDOOR

AD07SL2VHB

Job Name: _____

Purchaser: _____

Submitted To: _____

Construction: _____

Reference: _____

Approval: _____

Date: _____

Submitted By: _____

Unit: _____

Drawing #: _____



Electrical Requirement

Power Supply	208/230V, 1 Phase, 60 HZ
Operating Voltage Range	187~253 VAC

Performance

Rated Cooling Capacity	7,000 BTU
Rated Heating Capacity	8,000 BTU

Piping

Flare Connections	1/4" (Liquid) 3/8" (Vapor)
-------------------	-------------------------------

Indoor Unit

Uncrated Dimension (HxWxD)	7 1/4 x 33 1/2 x 16 1/2 in (185 x 850 x 420 mm)
Crated (HxWxD)	10 3/8 x 40 3/4 x 21 1/4 in (265 x 1035 x 540 mm)
Maximum ESP (IWC)	0.16
Airflow CFM (Turbo/High/Med/Low/Quiet)	353/312/270/230/188
Indoor Sound Level dB (Turbo/High/Med/Low/Quiet)	35/33/29/26/21
Motor Rating (HP)	0.066
Heat Exchanger Fin Type	Blue Fin
Condensate Pump	Included - 27.5 in Lift
Weight (Ship/Net)	47.2/36.8 lbs

Accessories

Wired Controller

Ships with the Touch Wall Controller (YR-E17)

Compatible Wired Controllers

Simplified Wired Controller (QACT17A)

Programmable Wired Controller (YR-E16B)

Grilles

Return Grille - PAD0890RA

Supply Grille - PAD0890SA

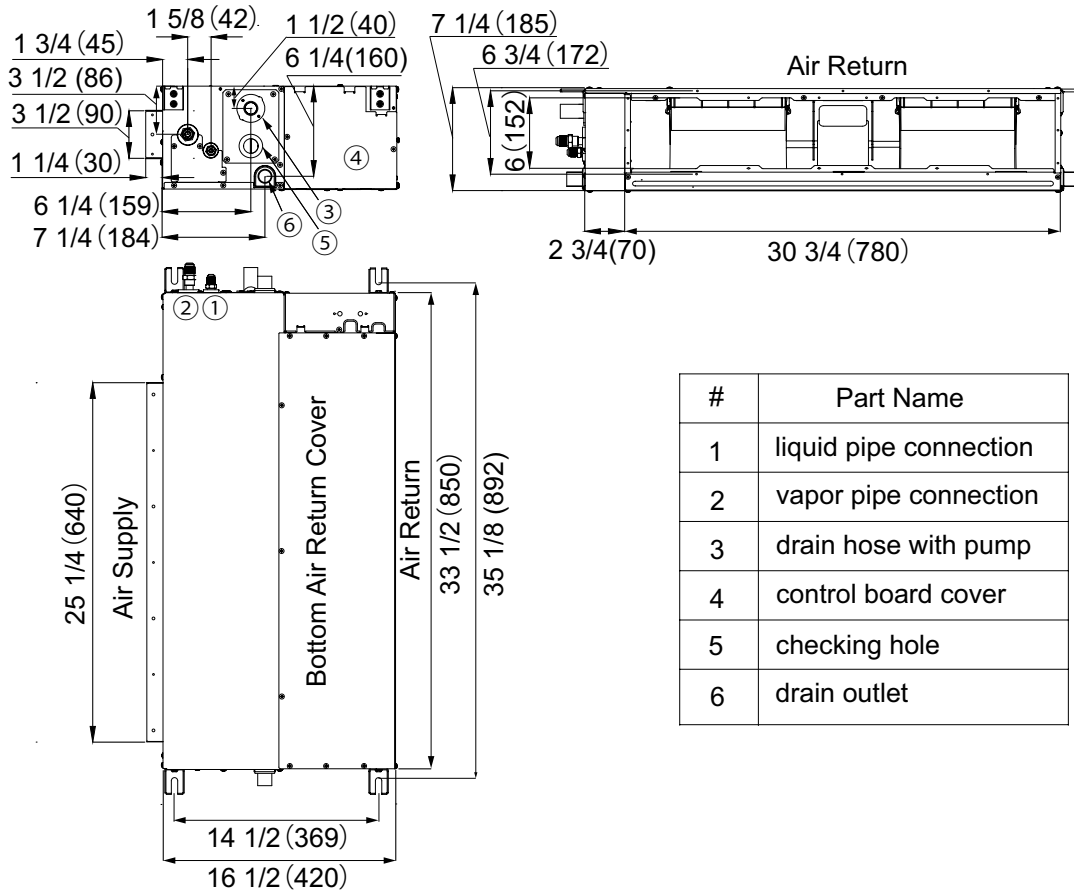


For more information visit us:
www.Haierductless.com
www.Haierductlesshelp.com

Haier FlexFit Multi Series Submittal

7000 BTU/HR SLIM DUCT TYPE INDOOR

AD07SL2VHB



#	Part Name
1	liquid pipe connection
2	vapor pipe connection
3	drain hose with pump
4	control board cover
5	checking hole
6	drain outlet

Haier FlexFit Multi Series Submittal

9000 BTU/HR SLIM DUCT TYPE INDOOR

AD09SL2VHB

Job Name: _____

Purchaser: _____

Submitted To: _____

Construction: _____

Reference: _____

Approval: _____

Date: _____

Submitted By: _____

Unit: _____

Drawing #: _____



Electrical Requirement

Power Supply	208/230V, 1 Phase, 60 HZ
Operating Voltage Range	187~253 VAC

Performance

Rated Cooling Capacity	9,000 BTU
Rated Heating Capacity	10,000 BTU

Piping

Flare Connections	1/4" (Liquid) 3/8" (Vapor)
-------------------	-------------------------------

Indoor Unit

Uncrated Dimension (HxWxD)	7 1/4 x 33 1/2 x 16 1/2 in (185 x 850 x 420 mm)
Crated (HxWxD)	10 3/8 x 40 3/4 x 21 1/4 in (265 x 1035 x 540 mm)
Maximum ESP (IWC)	0.16
Airflow CFM (Turbo/High/Med/Low/Quiet)	353/312/270/230/188
Indoor Sound Level dB (Turbo/High/Med/Low/Quiet)	35/33/29/26/22
Motor Rating (HP)	0.066
Heat Exchanger Fin Type	Blue Fin
Condensate Pump	Included - 27.5 in Lift
Weight (Ship/Net)	47.2/36.8 lbs

Accessories

Wired Controller

Ships with the Touch Wall Controller (YR-E17)

Compatible Wired Controllers

Simplified Wired Controller (QACT17A)

Programmable Wired Controller (YR-E16B)

Grilles

Return Grille - PAD0890RA

Supply Grille - PAD0890SA

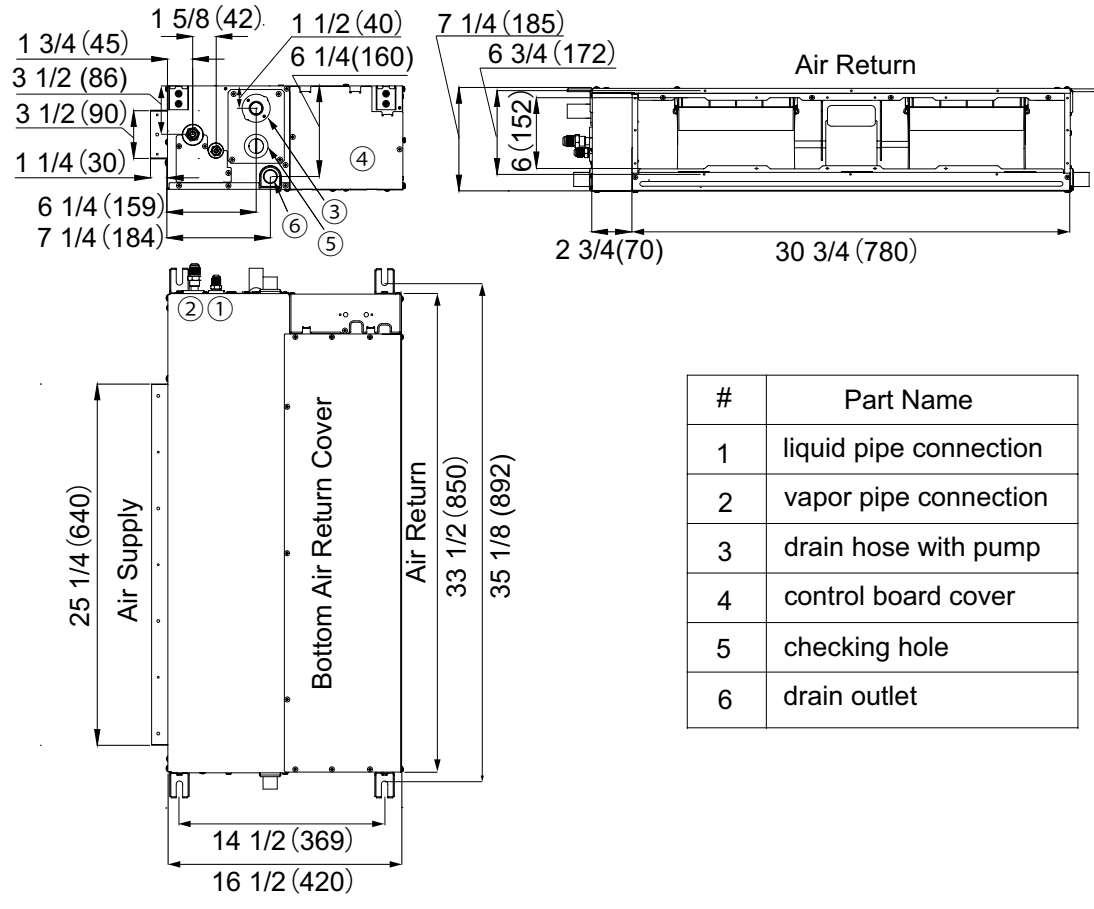


For more information visit us:
www.Haierductless.com
www.Haierductlesshelp.com

Haier FlexFit Multi Series Submittal

9000 BTU/HR SLIM DUCT TYPE INDOOR

AD09SL2VHB



#	Part Name
1	liquid pipe connection
2	vapor pipe connection
3	drain hose with pump
4	control board cover
5	checking hole
6	drain outlet

Haier FlexFit Multi Series Submittal

12000 BTU/HR SLIM DUCT TYPE INDOOR

AD12SL2VHB

Job Name: _____

Purchaser: _____

Submitted To: _____

Construction: _____

Reference: _____

Approval: _____

Date: _____

Submitted By: _____

Unit: _____

Drawing #: _____



Electrical Requirement

Power Supply	208/230V, 1 Phase, 60 HZ
Operating Voltage Range	187~253 VAC

Performance

Rated Cooling Capacity	12,000 BTU
Rated Heating Capacity	13,000 BTU

Piping

Flare Connections	1/4" (Liquid) 3/8" (Vapor)
-------------------	-------------------------------

Indoor Unit

Uncrated Dimension (HxWxD)	7 1/4 x 33 1/2 x 16 1/2 in (185 x 850 x 420 mm)
Crated (HxWxD)	10 3/8 x 40 3/4 x 21 1/4 in (265 x 1035 x 540 mm)
Maximum ESP (IWC)	0.16
Airflow CFM (Turbo/High/Med/Low/Quiet)	400/353/282/247/218
Indoor Sound Level dB (Turbo/High/Med/Low/Quiet)	38/35/29/26/23
Motor Rating (HP)	0.085
Heat Exchanger Fin Type	Blue Fin
Condensate Pump	Included - 27.5 in Lift
Weight (Ship/Net)	47.2/36.8 lbs

Accessories

Wired Controller

Ships with the Touch Wall Controller (YR-E17)

Compatible Wired Controllers

Simplified Wired Controller (QACT17A)

Programmable Wired Controller (YR-E16B)

Grilles

Return Grille - PAD0890RA

Supply Grille - PAD0890SA

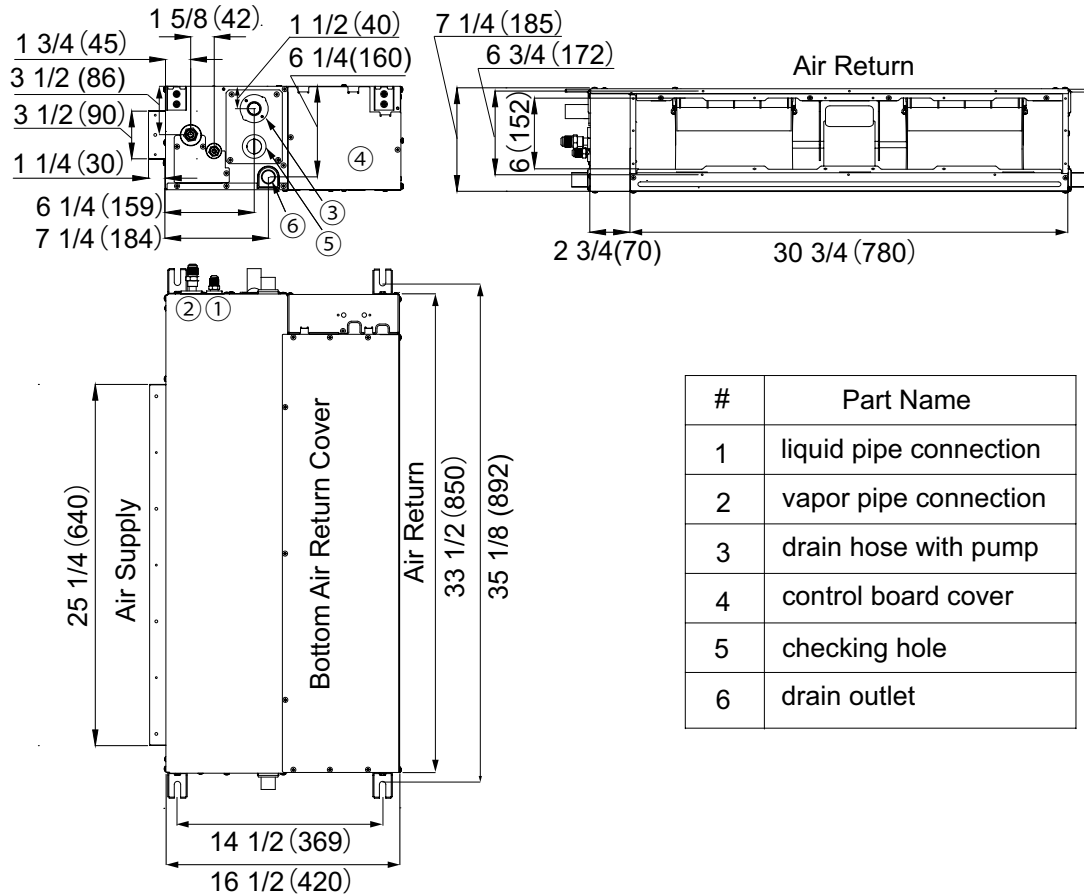


For more information visit us:
www.Haierductless.com
www.Haierductlesshelp.com

Haier FlexFit Multi Series Submittal

12000 BTU/HR SLIM DUCT TYPE INDOOR

AD12SL2VHB



#	Part Name
1	liquid pipe connection
2	vapor pipe connection
3	drain hose with pump
4	control board cover
5	checking hole
6	drain outlet

Haier FlexFit Multi Series Submittal

18000 BTU/HR SLIM DUCT TYPE INDOOR

AD18SL2VHB

Job Name: _____

Purchaser: _____

Submitted To: _____

Construction: _____

Reference: _____

Approval: _____

Date: _____

Submitted By: _____

Unit: _____

Drawing #: _____



Electrical Requirement

Power Supply	208/230V, 1 Phase, 60 HZ
Operating Voltage Range	187~253 VAC

Performance

Rated Cooling Capacity	18,000 BTU
Rated Heating Capacity	19,000 BTU

Piping

Flare Connections	1/4" (Liquid)
	1/2" (Vapor)

Indoor Unit

Uncrated Dimension (HxWxD)	7 1/4 x 33 1/2 x 16 1/2 in (185 x 850 x 420 mm)
Crated (HxWxD)	10 3/8 x 40 3/4 x 21 1/4 in (265 x 1035 x 540 mm)
Maximum ESP (IWC)	0.16
Airflow CFM (Turbo/High/Med/Low/Quiet)	540/500/447/365/306
Indoor Sound Level dB (Turbo/High/Med/Low/Quiet)	31/29/23/29/25
Motor Rating (HP)	0.114
Heat Exchanger Fin Type	Blue Fin
Condensate Pump	Included - 27.5 in Lift
Weight (Ship/Net)	62.4/48.5 lbs

Accessories

Wired Controller

Ships with the Touch Wall Controller (YR-E17)

Compatible Wired Controllers

Simplified Wired Controller (QACT17A)

Programmable Wired Controller (YR-E16B)

Grilles

Return Grille - PAD1210RA

Supply Grille - PAD1210SA

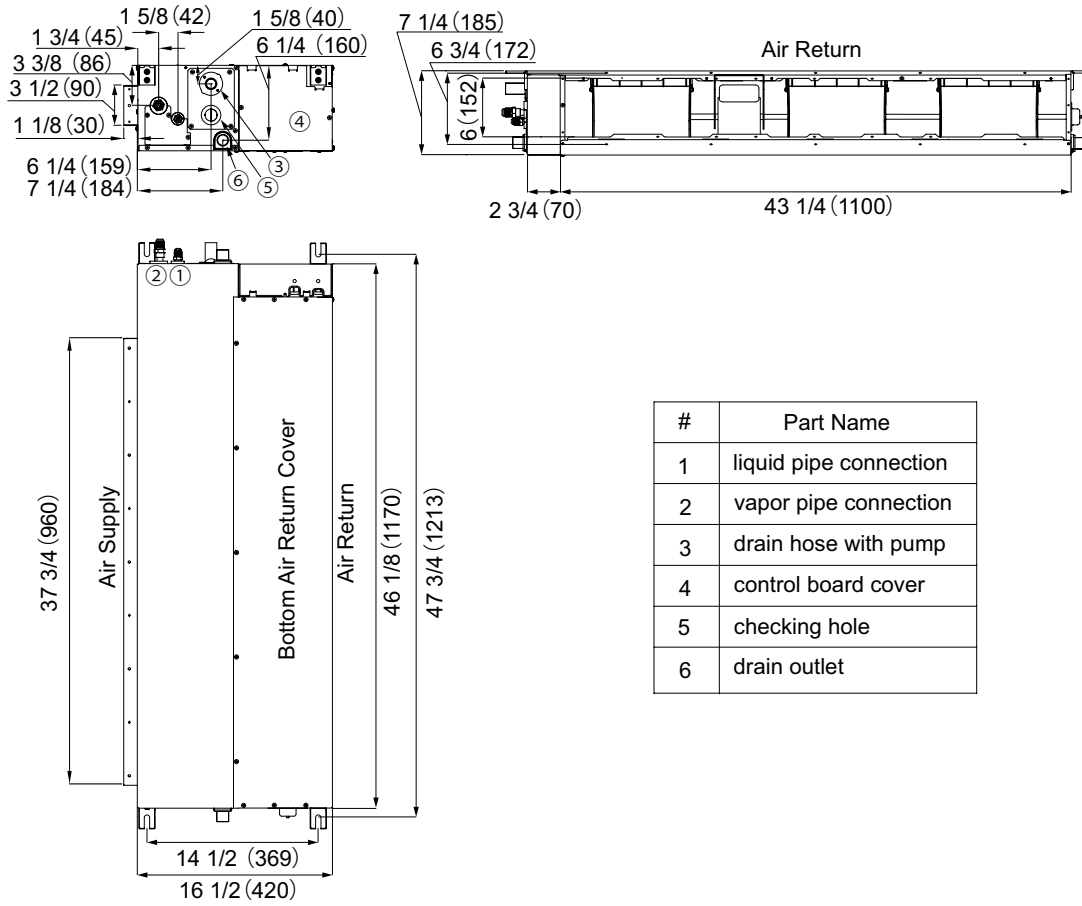


For more information visit us:
www.Haierductless.com
www.Haierductlesshelp.com

Haier FlexFit Multi Series Submittal

18000 BTU/HR SLIM DUCT TYPE INDOOR

AD18SL2VHB



#	Part Name
1	liquid pipe connection
2	vapor pipe connection
3	drain hose with pump
4	control board cover
5	checking hole
6	drain outlet

Haier FlexFit Multi Series Submittal

24000 BTU/HR HIGH STATIC DUCTED INDOOR

AM24LP2VHA

Job Name: _____

Purchaser: _____

Submitted To: _____

Construction: _____

Reference: _____

Approval: _____

Date: _____

Submitted By: _____

Unit: _____

Drawing #: _____



Electrical Requirement

Power Supply	208/230V, 1 Phase, 60 HZ
Operating Voltage Range	187~253 VAC

Performance

Rated Cooling Capacity	24,000 BTU
Rated Heating Capacity	26,500 BTU

Piping

Flare Connections	3/8" (Liquid) 5/8" (Vapor)
-------------------	-------------------------------

Indoor Unit

Uncrated Dimension (HxWxD)	9 7/8 x 41 3/8 x 28 3/8 in (250 x 1050 x 720 mm)
Crated (HxWxD)	13 3/8 x 46 1/8 x 33 7/8 in (340 x 1170 x 860 mm)
Maximum ESP (IWC)	0.60
Airflow CFM (Turbo/High/Med/Low/Quiet)	845/670/530/470
Indoor Sound Level dB (Turbo/High/Med/Low/Quiet)	38/35/32/29
Motor Rating (HP)	0.362
Heat Exchanger Fin Type	Blue Fin
Condensate Pump	Included - 27.5 in Lift
Weight (Ship/Net)	81.6/68.8 lbs

Accessories

Wired Controller

Ships with the Touch Wall Controller (YR-E17)

Compatible Wired Controllers

Simplified Wired Controller (QACT17A)

Programmable Wired Controller (YR-E16B)

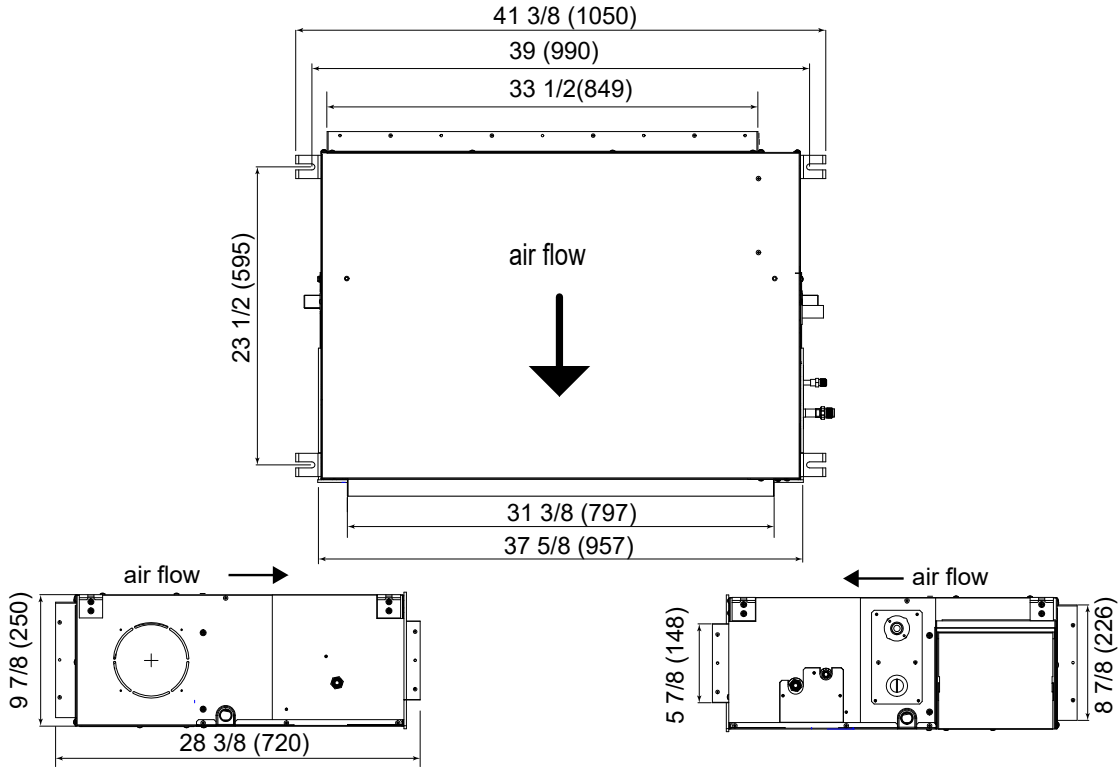


For more information visit us:
www.Haierductless.com
www.Haierductlesshelp.com

Haier FlexFit Multi Series Submittal

24000 BTU/HR HIGH STATIC DUCTED INDOOR

AM24LP2VHA



Haier FlexFit Multi Series Submittal

9000 BTU/HR MID-STATIC DUCTED INDOOR

USYM09UCDSA

Job Name: _____

Purchaser: _____

Submitted To: _____

Construction: _____

Reference: _____

Approval: _____

Date: _____

Submitted By: _____

Unit: _____

Drawing #: _____



Electrical Requirement

Power Supply	208/230V, 1 Phase, 60 HZ
Operating Voltage Range	187~253 VAC

Performance

Rated Cooling Capacity	9,000 BTU
Rated Heating Capacity	10,000 BTU

Piping

Flare Connections	1/4" (Liquid) 3/8" (Vapor)
Drain Pipe	1 1/4"

Accessories

Wired Controller

Controller must be ordered separately

Compatible With

Simplified Wired Controller (QACT17A)

Programmable Wired Controller (YR-E16B)

Built-in WiFi

Supply Plenum

UAPT0912A

Return MERV Filter Box

UAMFB0912A

Indoor Unit	
Uncrated Dimension (HxWxD)	9 3/4 x 27 1/2 x 27 1/2 in (248 x 700 x 700 mm)
Crated (HxWxD)	13 1/4 x 37 1/2 x 35 1/2 in (340 x 950 x 900 mm)
Maximum ESP (IWC)	0.6
Airflow CFM (Turbo/High/Med/Low)	494/423/352/264
Indoor Sound Level dB (Turbo/High/Med/Low)	35/32/29/26
Motor Rating (HP)	0.18
Heat Exchanger Fin Type	Blue Fin
Condensate Pump	Included - 39 in. Lift
Weight (Ship/Net)	57/66 lbs

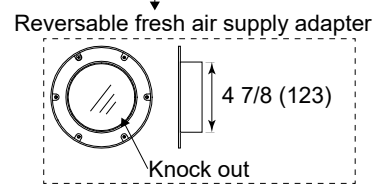
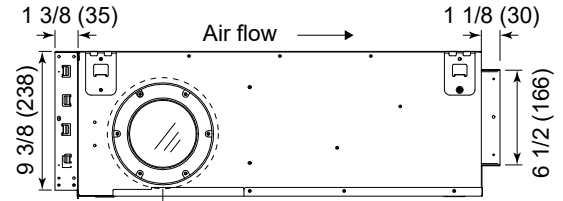
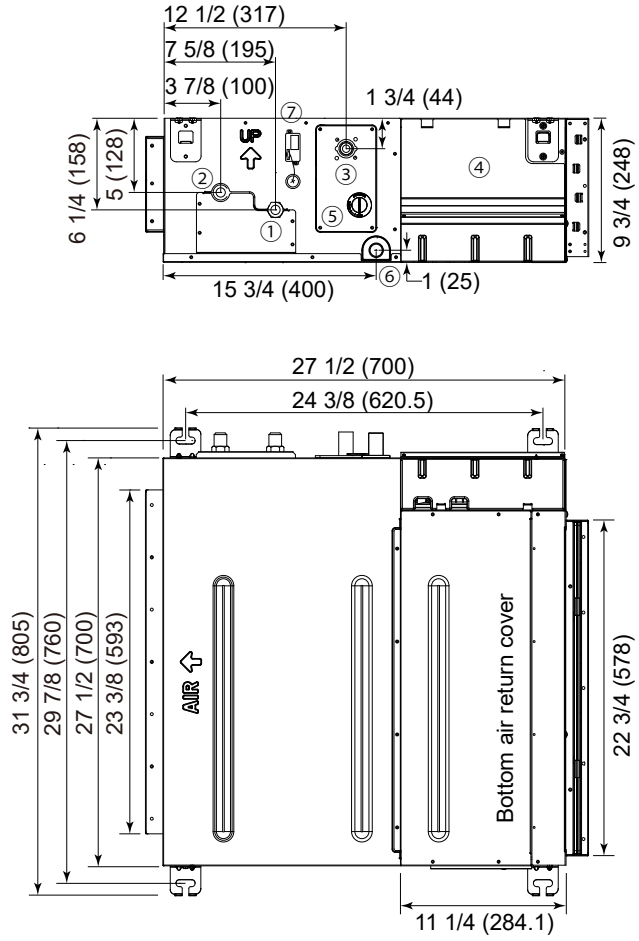


For more information visit us:
www.Haierductless.com
www.Haierductlesshelp.com

Haier FlexFit Multi Series Submittal

9000 BTU/HR MID-STATIC DUCTED INDOOR

USYM09UCDSA



#	Description
1	Liquid pipe connection
2	Vapor pipe connection
3	Drain pump outlet
4	Control board cover
5	Inspection hole
6	Gravity drain outlet
7	WiFi module

Haier FlexFit Multi Series Submittal

12000 BTU/HR MID-STATIC DUCTED INDOOR

USYM12UCDSA

Job Name: _____

Purchaser: _____

Submitted To: _____

Construction: _____

Reference: _____

Approval: _____

Date: _____

Submitted By: _____

Unit: _____

Drawing #: _____



Electrical Requirement

Power Supply	208/230V, 1 Phase, 60 HZ
Operating Voltage Range	187~253 VAC

Performance

Rated Cooling Capacity	12,000 BTU
Rated Heating Capacity	13,000 BTU

Piping

Flare Connections	1/4" (Liquid) 3/8" (Vapor)
Drain Pipe	1 1/4"

Accessories

Wired Controller

Controller must be ordered separately

Compatible With

Simplified Wired Controller (QACT17A)

Programmable Wired Controller (YR-E16B)

Built-in WiFi

Supply Plenum

UAPT0912A

Return MERV Filter Box

UAMFB0912A

Indoor Unit	
Uncrated Dimension (HxWxD)	9 3/4 x 27 1/2 x 27 1/2 in (248 x 700 x 700 mm)
Crated (HxWxD)	13 1/4 x 37 1/2 x 35 1/2 in (340 x 950 x 900 mm)
Maximum ESP (IWC)	0.6
Airflow CFM (Turbo/High/Med/Low)	494/423/352/264
Indoor Sound Level dB (Turbo/High/Med/Low)	35/32/29/26
Motor Rating (HP)	0.18
Heat Exchanger Fin Type	Blue Fin
Condensate Pump	Included - 39 in. Lift
Weight (Ship/Net)	57/66 lbs

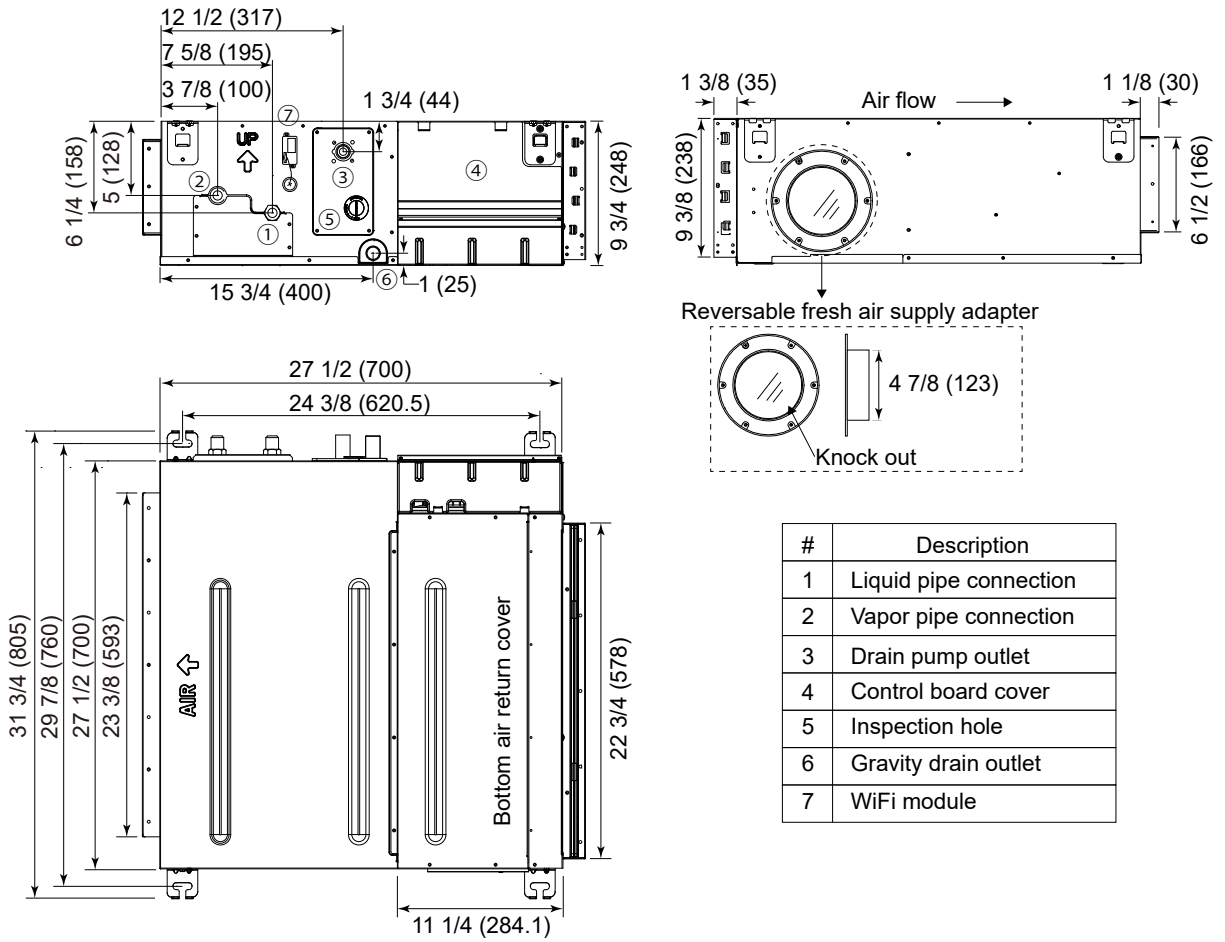


For more information visit us:
www.Haierductless.com
www.Haierductlesshelp.com

Haier FlexFit Multi Series Submittal

12000 BTU/HR MID-STATIC DUCTED INDOOR

USYM12UCDSA



#	Description
1	Liquid pipe connection
2	Vapor pipe connection
3	Drain pump outlet
4	Control board cover
5	Inspection hole
6	Gravity drain outlet
7	WiFi module

Haier FlexFit Multi Series Submittal

18000 BTU/HR MID-STATIC DUCTED INDOOR

USYM18UCDSA

Job Name: _____

Purchaser: _____

Submitted To: _____

Construction: _____

Reference: _____

Approval: _____

Date: _____

Submitted By: _____

Unit: _____

Drawing #: _____



Electrical Requirement

Power Supply	208/230V, 1 Phase, 60 HZ
Operating Voltage Range	187~253 VAC

Performance

Rated Cooling Capacity	18,000 BTU
Rated Heating Capacity	19,000 BTU

Piping

Flare Connections	1/4" (Liquid) 1/2" (Vapor)
Drain Pipe	1 1/4"

Accessories

Wired Controller

Controller must be ordered separately

Compatible With

Simplified Wired Controller (QACT17A)

Programmable Wired Controller (YR-E16B)

Built-in WiFi

Supply Plenum

UAPT1824A

Return MERV Filter Box

UAMFB1824A

Indoor Unit

Uncrated Dimension (HxWxD)	9 3/4 x 43 1/4 x 27 1/2 in (248 x 1100 x 700 mm)
Crated (HxWxD)	13 1/2 x 46 x 33 3/4 in (340 x 1170 x 860 mm)
Maximum ESP (IWC)	0.6
Airflow CFM (Turbo/High/Med/Low)	635/529/458/388
Indoor Sound Level dB (Turbo/High/Med/Low)	37/34/32/29
Heat Exchanger Fin Type	Blue Fin
Motor Rating (HP)	0.27
Condensate Pump	Included - 39 in. Lift
Weight (Ship/Net)	70/77 lbs



GE APPLIANCES
a Haier company

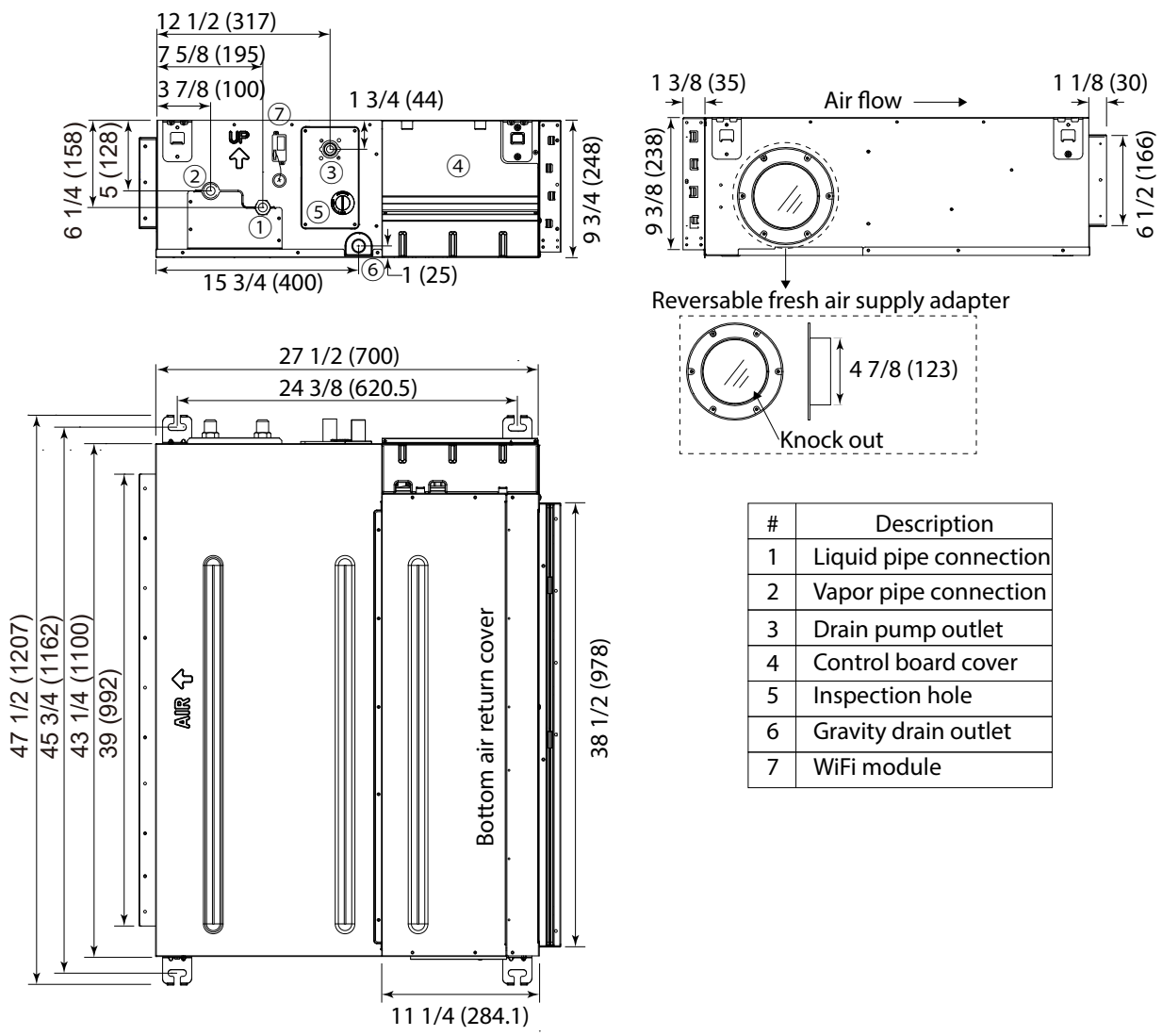
For more information visit us:

www.Haierductless.com

www.Haierductlesshelp.com

18000 BTU/HR MID-STATIC DUCTED INDOOR

USYM18UCDSA



Haier FlexFit Multi Series Submittal

24000 BTU/HR MID-STATIC DUCTED INDOOR

USYM24UCDSA

Job Name: _____

Purchaser: _____

Submitted To: _____

Construction: _____

Reference: _____

Approval: _____

Date: _____

Submitted By: _____

Unit: _____

Drawing #: _____



Electrical Requirement

Power Supply	208/230V, 1 Phase, 60 HZ
Operating Voltage Range	187~253 VAC

Performance

Rated Cooling Capacity	24,000 BTU
Rated Heating Capacity	25,000 BTU

Piping

Flare Connections	3/8" (Liquid) 5/8" (Vapor)
Drain Pipe	1 1/4"

Indoor Unit

Uncrated Dimension (HxWxD)	9 3/4 x 43 1/4 x 27 1/2 in (248 x 1100 x 700 mm)
Crated (HxWxD)	13 1/2 x 46 x 33 3/4 in (340 x 1170 x 860 mm)
Maximum ESP (IWC)	0.6
Airflow CFM (Turbo/High/Med/Low)	845/670/530/470
Indoor Sound Level dB (Turbo/High/Med/Low)	39/36/33/30
Motor Rating (HP)	0.27
Heat Exchanger Fin Type	Blue Fin
Condensate Pump	Included - 39 in. Lift
Weight (Ship/Net)	70/77 lbs

Accessories

Wired Controller

Controller must be ordered separately

Compatible With

Simplified Wired Controller (QACT17A)
Programmable Wired Controller (YR-E16B)

Built-in WiFi

Supply Plenum

UAPT1824A

Return MERV Filter Box

UAMFB1824A

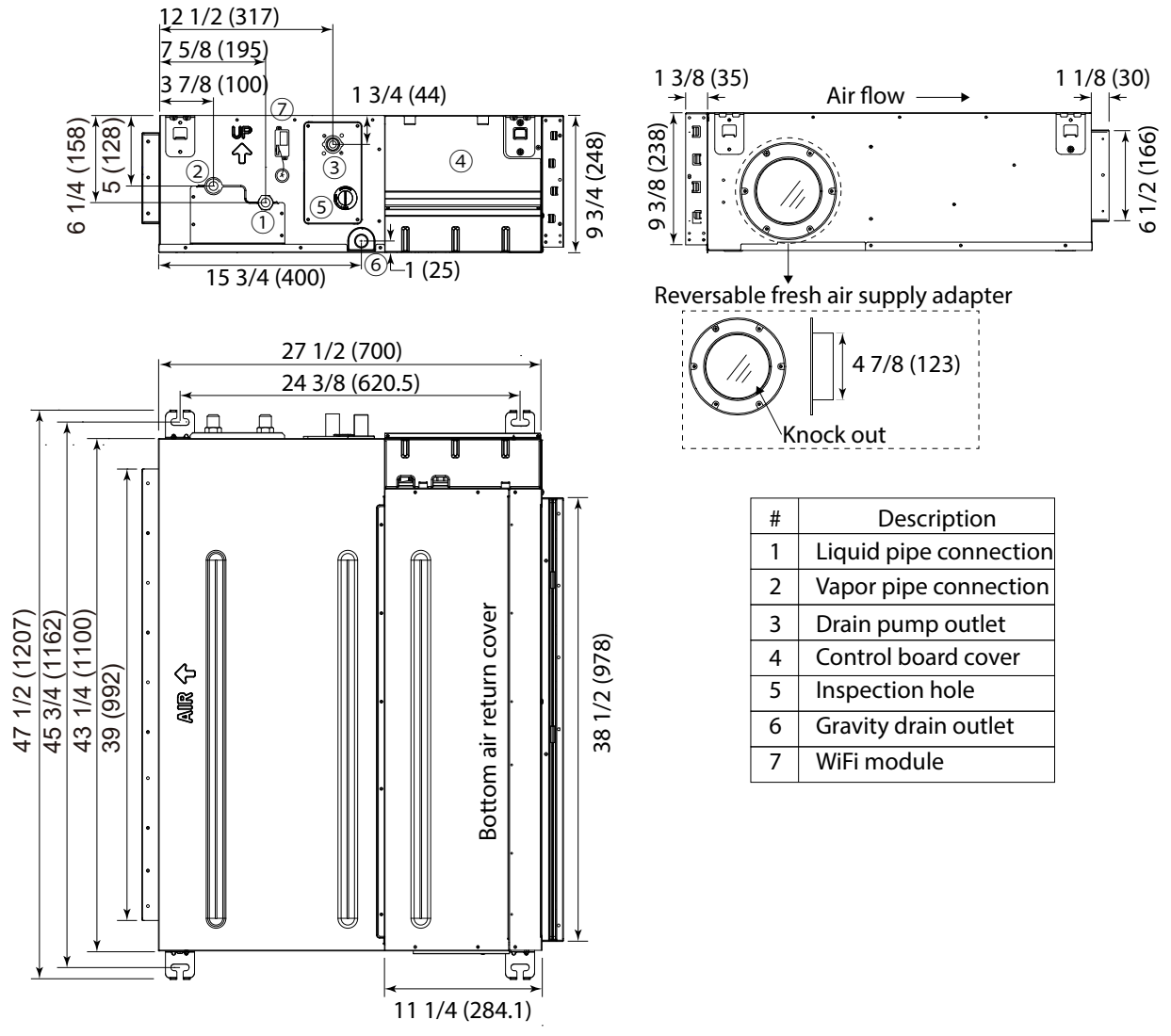


For more information visit us:
www.Haierductless.com
www.Haierductlesshelp.com

Haier FlexFit Multi Series Submittal

24000 BTU/HR MID-STATIC DUCTED INDOOR

USYM24UCDSA



#	Description
1	Liquid pipe connection
2	Vapor pipe connection
3	Drain pump outlet
4	Control board cover
5	Inspection hole
6	Gravity drain outlet
7	WiFi module

Haier FlexFit Multi Series Submittal

9000 BTU/HR FLOOR CONSOLE INDOOR

USYF09UCDWA

Job Name: _____

Purchaser: _____

Submitted To: _____

Construction: _____

Reference: _____

Approval: _____

Date: _____

Submitted By: _____

Unit: _____

Drawing #: _____



Electrical Requirement	
Power Supply	208/230V, 1 Phase, 60 HZ
Operating Voltage Range	187~253 VAC

Performance	
Rated Cooling Capacity	9,000 BTU
Rated Heating Capacity	10,000 BTU

Piping	
Flare Connections	1/4" (Liquid) 3/8" (Vapor)
Drain Pipe	5/8"

Indoor Unit	
Uncrated Dimension (HxWxD)	23 3/4 x 27 1/2 x 8 1/4 in (600 x 700 x 210 mm)
Crated (HxWxD)	27 1/2 x 30 3/4 x 12 in (695 x 783 x 303 mm)
Airflow CFM (Turbo/High/Med/Low)	264/235/205/176
Indoor Sound Level dB (Turbo/High/Med/Low)	40/32/25/20
Motor Rating (HP)	0.04
Heat Exchanger Fin Type	Blue Fin
Weight (Ship/Net)	36/40 lbs

Accessories

Remote Controller

Ships with Standard Remote Control (YR-HG)

Compatible With

Simplified Wired Controller (QACT17A)

Programmable Wired Controller (YR-E16B)

Built-in WiFi

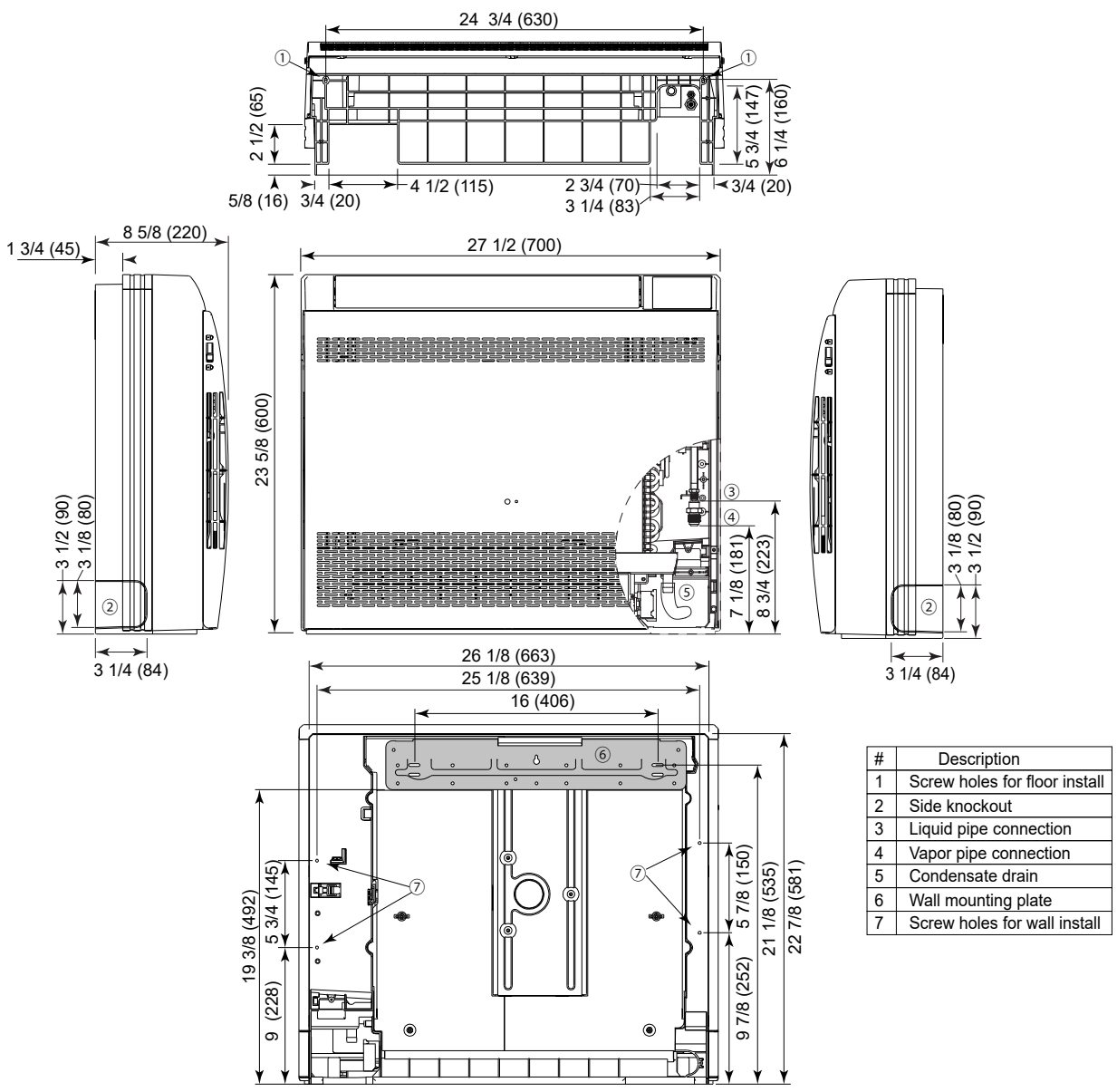


For more information visit us:
www.Haierductless.com
www.Haierductlesshelp.com

Haier FlexFit Multi Series Submittal

9000 BTU/HR FLOOR CONSOLE INDOOR

USYF09UCDWA



#	Description
1	Screw holes for floor install
2	Side knockout
3	Liquid pipe connection
4	Vapor pipe connection
5	Condensate drain
6	Wall mounting plate
7	Screw holes for wall install

Haier FlexFit Multi Series Submittal

12000 BTU/HR FLOOR CONSOLE INDOOR

USYF12UCDWA

Job Name: _____

Purchaser: _____

Submitted To: _____

Construction: _____

Reference: _____

Approval: _____

Date: _____

Submitted By: _____

Unit: _____

Drawing #: _____



Indoor Unit	
Uncrated Dimension (HxWxD)	23 3/4 x 27 1/2 x 8 1/4 in (600 x 700 x 210 mm)
Crated (HxWxD)	27 1/2 x 30 3/4 x 12 in (695 x 783 x 303 mm)
Airflow CFM (Turbo/High/Med/Low)	294/264/235/176
Indoor Sound Level dB (Turbo/High/Med/Low)	42/34/26/21
Motor Rating (HP)	0.04
Heat Exchanger Fin Type	Blue Fin
Weight (Ship/Net)	36/40 lbs

Electrical Requirement

Power Supply	208/230V, 1 Phase, 60 HZ
Operating Voltage Range	187~253 VAC

Performance

Rated Cooling Capacity	12,000 BTU
Rated Heating Capacity	13,000 BTU

Piping

Flare Connections	1/4" (Liquid) 3/8" (Vapor)
Drain Pipe	5/8"

Accessories

Remote Controller

Ships with Standard Remote Control (YR-HG)

Compatible With

Simplified Wired Controller (QACT17A)

Programmable Wired Controller (YR-E16B)

Built-in WiFi



GE APPLIANCES
a Haier company

For more information visit us:

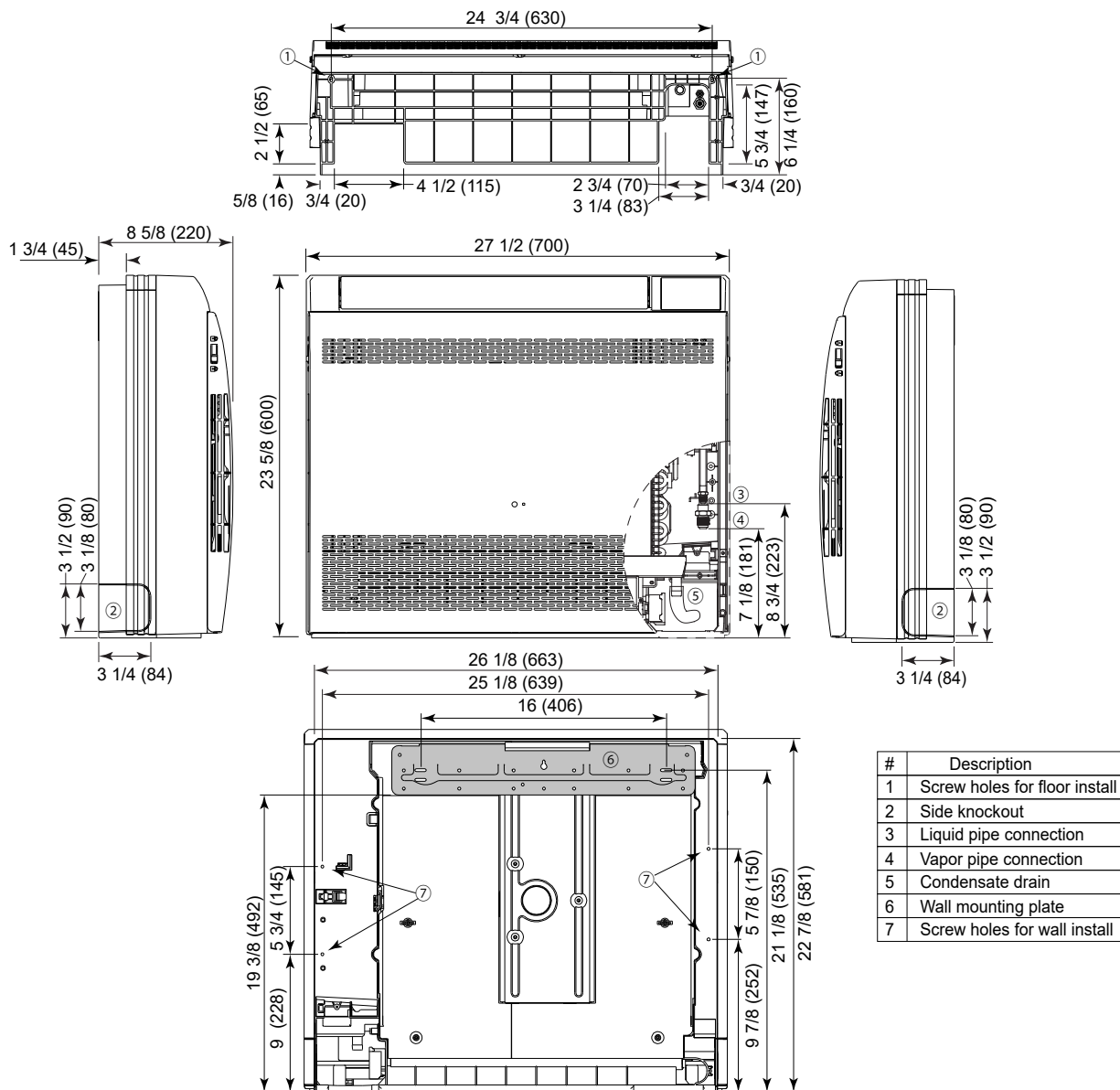
www.Haierductless.com

www.Haierductlesshelp.com

Haier FlexFit Multi Series Submittal

12000 BTU/HR FLOOR CONSOLE INDOOR

USYF12UCDWA



Haier FlexFit Multi Series Submittal

15000 BTU/HR FLOOR CONSOLE INDOOR

USYF18UCDWA

Job Name: _____

Purchaser: _____

Submitted To: _____

Construction: _____

Reference: _____

Approval: _____

Date: _____

Submitted By: _____

Unit: _____

Drawing #: _____



Electrical Requirement

Power Supply	208/230V, 1 Phase, 60 HZ
Operating Voltage Range	187~253 VAC

Performance

Rated Cooling Capacity	15,000 BTU
Rated Heating Capacity	18,000 BTU

Piping

Flare Connections	1/4" (Liquid) 1/2" (Vapor)
Drain Pipe	5/8"

Accessories

Remote Controller

Ships with Standard Remote Control (YR-HG)

Compatible With

Simplified Wired Controller (QACT17A)

Programmable Wired Controller (YR-E16B)

Built-in WiFi



For more information visit us:
www.Haierductless.com
www.Haierductlesshelp.com

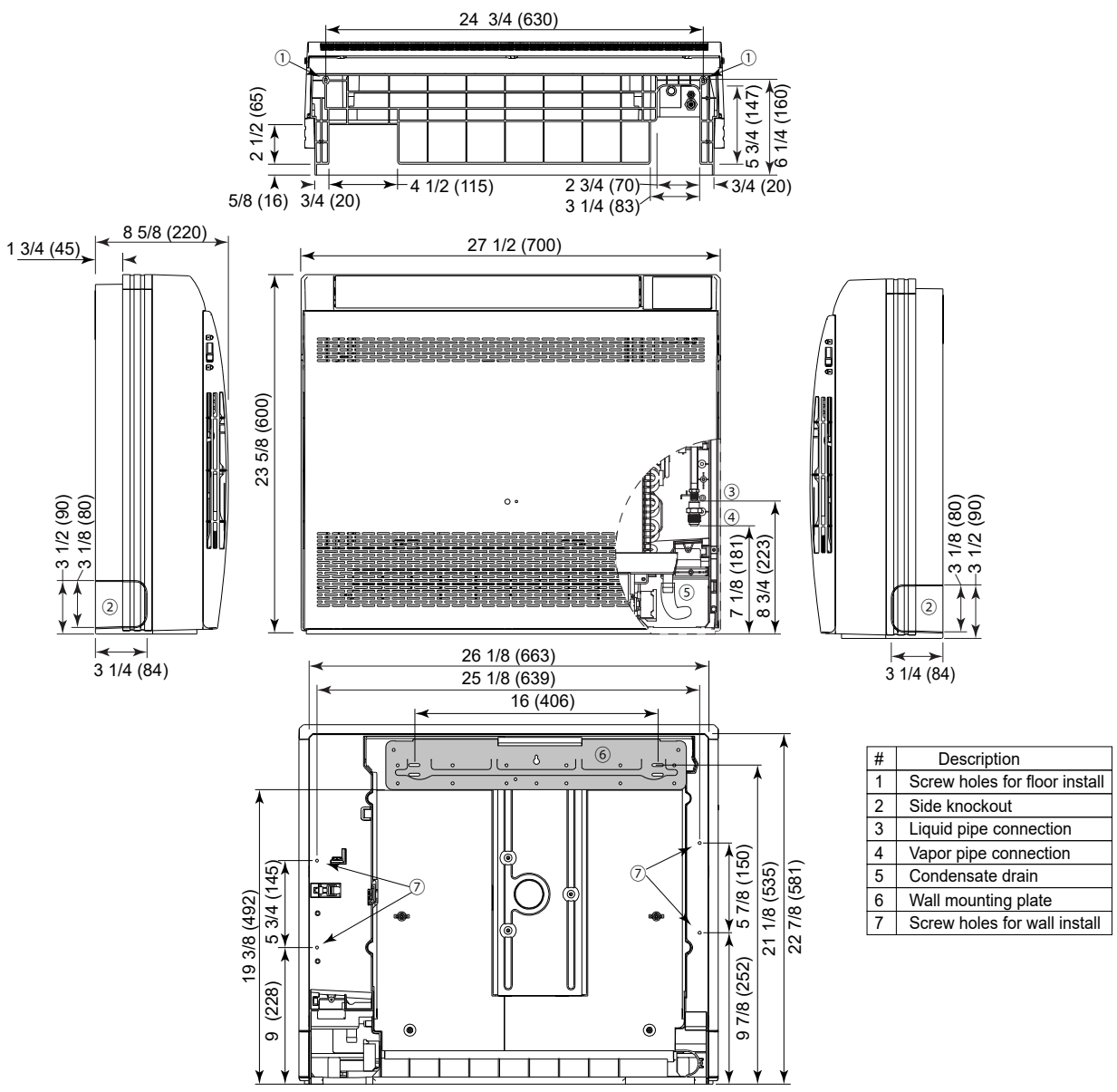
Indoor Unit

Uncrated Dimension (HxWxD)	23 3/4 x 27 1/2 x 8 1/4 in (600 x 700 x 210 mm)
Crated (HxWxD)	27 1/2 x 30 3/4 x 12 in (695 x 783 x 303 mm)
Airflow CFM (Turbo/High/Med/Low)	341/311/282/252
Indoor Sound Level dB (Turbo/High/Med/Low)	46/37/33/28
Motor Rating (HP)	0.04
Heat Exchanger Fin Type	Blue Fin
Weight (Ship/Net)	36/40 lbs

Haier FlexFit Multi Series Submittal

15000 BTU/HR FLOOR CONSOLE INDOOR

USYF18UCDWA



#	Description
1	Screw holes for floor install
2	Side knockout
3	Liquid pipe connection
4	Vapor pipe connection
5	Condensate drain
6	Wall mounting plate
7	Screw holes for wall install