



GERBER

41-803 Series Pop-up Bath Drains (Roman)

Features:

- Fits most tubs to 24" high
- 1-1/2" brass tubing in 17 Gauge
- Patented adjustable self-retaining rubber head gasket
- Patented pre-adjustable linkage
- Cast brass pop-up and shoe plug
- Heavy duty, highly polished face plate
- Extra long plunger stroke
- Heavy duty cast red brass head, tee and shoe
- Cast red brass coupling nuts supplied with 17 Gauge Tubing
- Partially assembled in carton
- Compartmentalized packaging
- Available in Chrome, Polished Brass, White, Biscuit and Brushed Nickel

Technical Specifications:

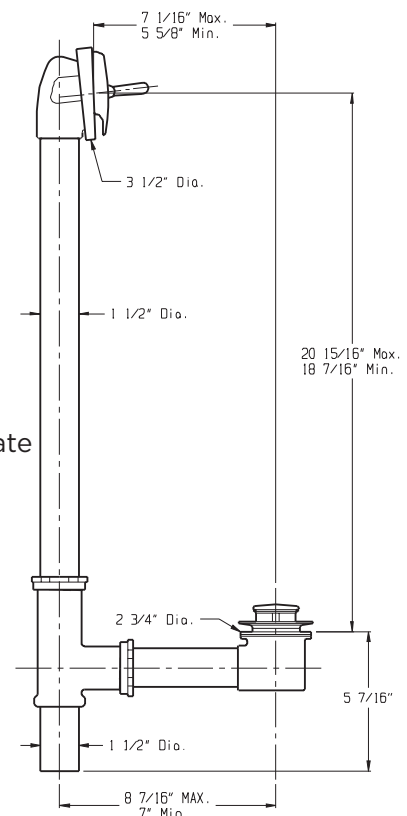
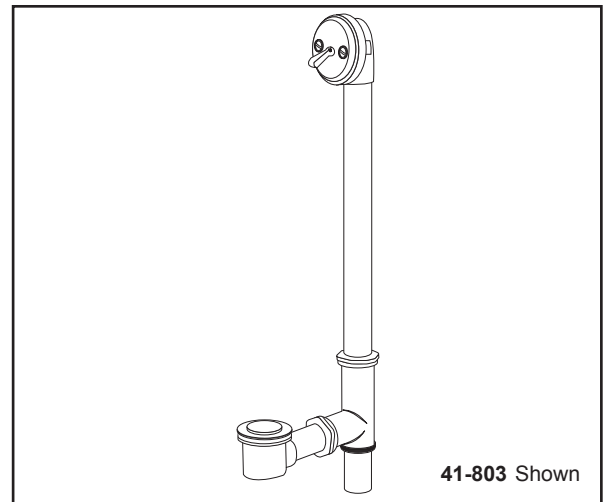
- IAPMO/cUPC

Catalog Numbers:

- 41-803** 17 Gauge (Chrome), Brass Nuts
- 41-803-70** 17 Gauge (Chrome), Female Outlet Tee
- 41-803-70-76** 17 Gauge (Chrome), Female Outlet Tee, Retaining Ring
- 41-803-70-88** 17 Gauge (Chrome), Female Outlet "Clean Out Here" Tee
- 41-803-76** 17 Gauge (Chrome), Retaining Ring
- 41-803-88** 17 Gauge (Chrome), "Clean Out Here" on Chrome Faceplate
- 41-803-92** 17 Gauge (Chrome), for Drain in Shoe Installation
- 41-803-97** 17 Gauge (Chrome), for Side Outlet Installation
- 81-877** 17 Gauge (Polished Brass), Brass Nuts
- A1-871** 17 Gauge (Biscuit), Brass Nuts
- N1-803** 17 Gauge (Brushed Nickel), Brass Nuts
- W1-871** 17 Gauge (White), Brass Nuts

Suffixes Available:

- 70** Female Outlet Tee
- 76** Retaining Ring (Compliance w/Chicago Code In Special Finishes)
- 88** "Clean-out Here" on Face Plate w/Retaining Ring
(Chicago Code Chrome Only)
- 92** Drain-In-Shoe Installation (Excluding Trip Lever)
- 97** Side Outlet Installation (Excluding Trip Lever & Plastic)



Job Name	
Date	
Model Specified	
Quantity	
Customer	
Contractor	
Architect/engineer	

Gerber Toll Free Technical Support: 888-648-6466
www.gerberonline.com