



# Green Drain™

WATERLESS DRAIN TRAP SEAL

Exclusively distributed by  **EVERFLOW™**

PROTECTS FROM:



VIRUSES



BACTERIA



PESTS



GASES



ODORS

## Stop Floor Drain Odors The Right Way.

Proven. Patented. Effective.

Prevents coronavirus and other viruses, bacteria, gases and pests from entering your home through floor and shower drains

Eliminates need for continuous wasted water and high utility bills caused by dripping water from trap primers





# Green Drain™

WATERLESS DRAIN TRAP SEAL



**Provide A Barrier Between You & The Sewer.**  
**UNPROTECTED DRAINS MAKE WAY**  
**FOR GERMS, BUGS, & ODORS.**



## The Green Drain Advantage:



Prevents Odors From Coming Up Your Drain



Stops Bugs From Entering Your home



Prevents Spread of Viruses & Bacteria



Protects from Dangerous Sewer Gases



Limits Minor Sewer Backups

## Features:



Allows High Flow of Water Down Drain



Easy Install & Removal By Anyone In seconds



No Pliers, Wrench, Caulk Or Glue Needed



Retrofits Into Most Existing Drains

### Protect All Types of Floor Drains:

- Bathrooms
- Showers
- Laundry Rooms
- Basement
- Utility / Boiler Rooms
- Garages

### Residential and Commercial Uses:

- Homes
- Schools
- Restaurants
- Healthcare Facilities
- Buildings
- Warehouses



# Green Drain™

WATERLESS DRAIN TRAP SEAL



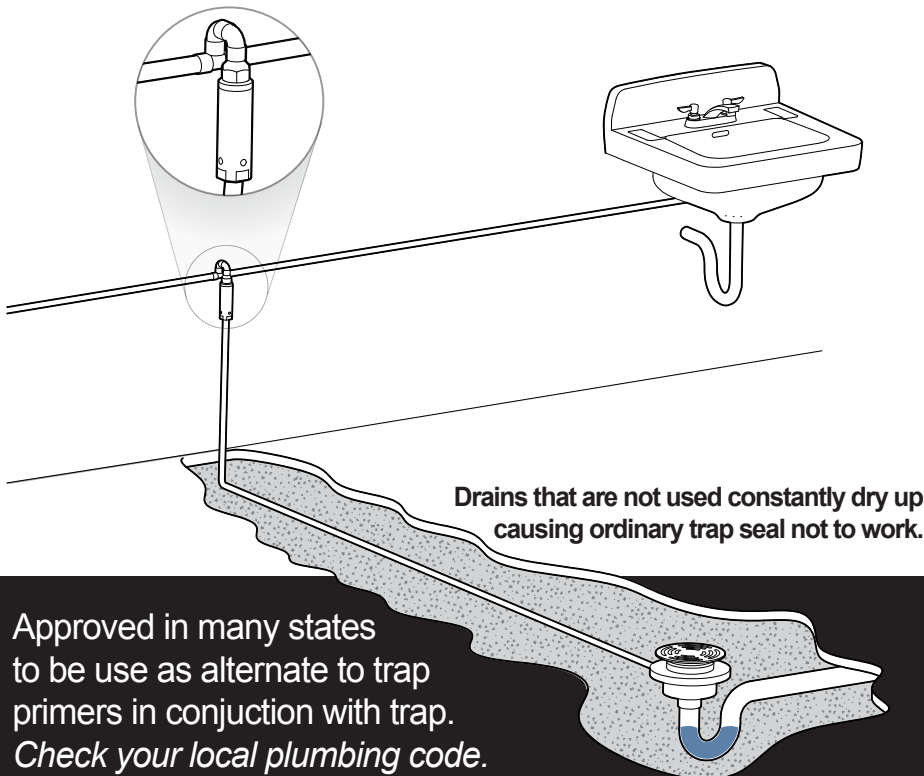
## GREEN DRAIN WORKS WHEN TRAP PRIMERS FAIL

### New Construction:

- Used in floor drains to provide added protection against escaping sewer gases.
- Eliminates the need to repair/replace trap primers when they fail.
- Avoids need for continuous dripping water and high utility bills caused by trap primers.

### Retrofit:

- Used in situations where trap primers were never installed.
- Protect from common trap primer failures.
- Provides added protection even if water service is shut off.
- Simple to install without breaking walls or floors.

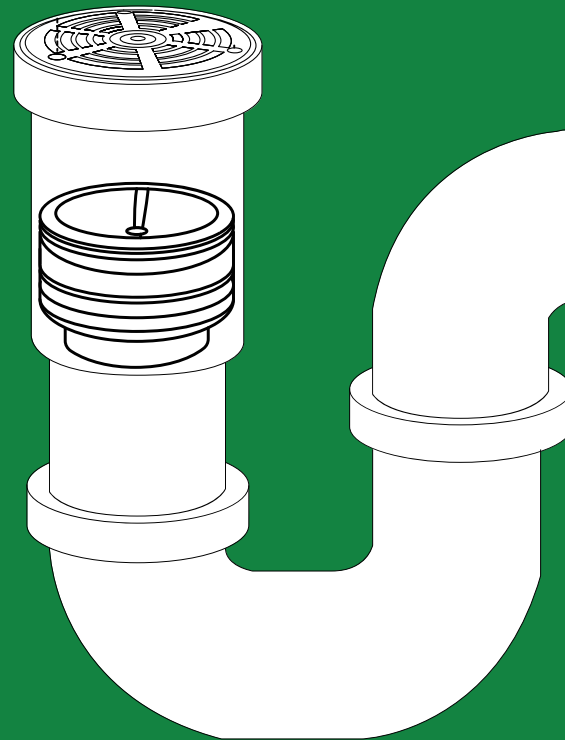


Approved in many states to be use as alternate to trap primers in conjunction with trap.  
*Check your local plumbing code.*

Complies with ASSE 1072-2007.  
ICC-ES Certified to be used as alternate to trap primer.

The Green Drain  
Solution:

Simple.  
Effective.  
Reliable.





# Green Drain™

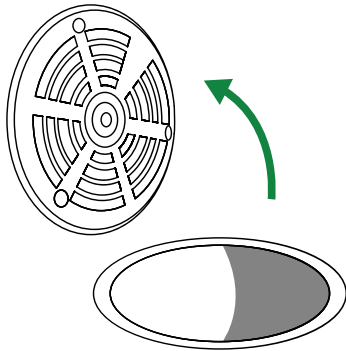
WATERLESS DRAIN TRAP SEAL



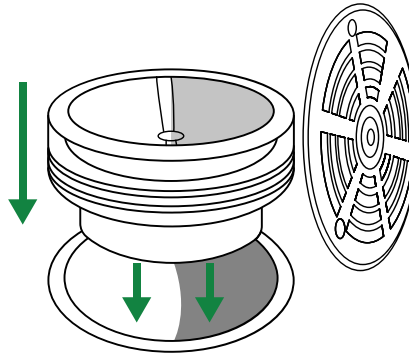
## INSTALLATION GUIDE



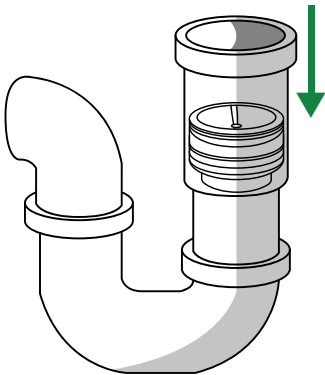
### 1 Remove Grate



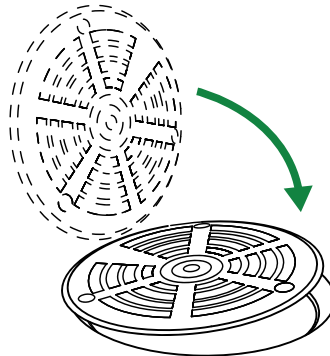
### 2 Insert Green Drain™



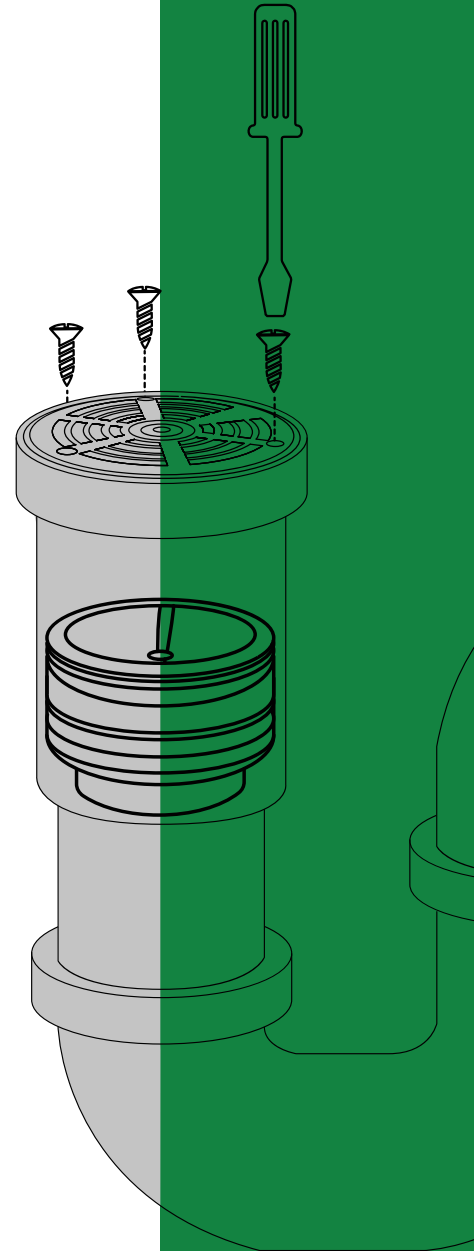
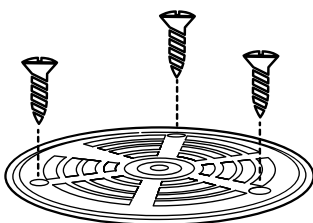
### 3 Recess 2" to 4" Into The Physical Pipe



### 4 Close Grate



### 5 Fasten Screws







# Green Drain™

## WATERLESS DRAIN TRAP SEAL



# SPECIFICATIONS

**Features:** Four flexible silicone sealing ribs ensure easy installation into openings that have variations in size. The Green Drain will open to allow drainage and close when there is no water flow.

**Specifications:** Inline floor drain trap seal with UV resistant ABS plastic frame, silicone rubber sealing flapper and four flexible sealing ribs. Tested and certified to the ASSE 1072-2007 Standard and listed with IAPMO and ICC-ES. Products are in compliance with the following code(s): Uniform Plumbing Code (UPC) National Plumbing Code of Canada. Certified to WaterMark Level 2 WMTS-522:2018 for barrier type floor drain trap seal protection devices. HACCP certified in accordance with HACCP food safety standards.

### Prevents

- Drain Odors
- Pest Infiltration
- Sewer/Radon Gas Infiltration
- Harmful Biologic Aerosols

### Product Benefits

- Increases Indoor Air Quality
- Protects the Public Health
- Green Technology
- Helps in LEED Certification

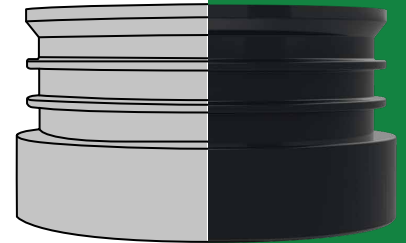
### Product Features

- One way drain valve
- Easy to install and remove
- Does not impair flow rate
- Does not impair plumbing maintenance
- Provides sewage back-flow protection
- Universal Plumbing Code Certified

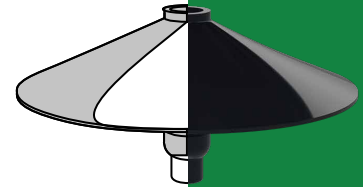
### Outer Anchoring



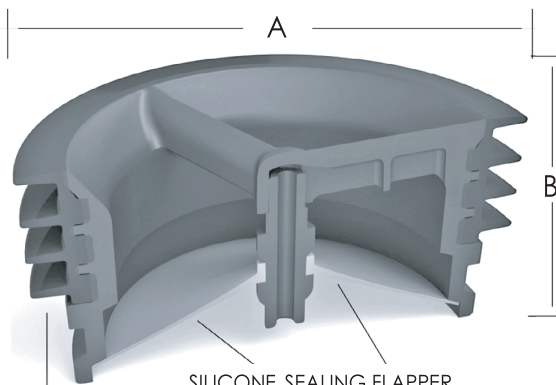
### Quality ABS Housing



### Silicone Skirt



GREEN DRAIN		DEVICE SIZE		FLOW RATE	
MODEL NUMBER	A PIPE SIZE INCH (mm)	B HEIGHT INCH (mm)	GPM	L/M	
GD2	2" (51mm)	2" (51mm)	12.0	45.4	
GD3	3" (76mm)	2" (51mm)	34.0	128.7	
GD35	3 1/2" (89mm)	2" (51mm)	51.0	193.0	
GD4	4" (102mm)	2" (51mm)	73.0	276.3	



SILICONE GASKET FLEXES .100" TO FIT DIAMETER

