

PROJECT: _____	UNIT TAG: _____	QUANTITY: _____
REPRESENTATIVE: _____	TYPE OF SERVICE: _____	DATE: _____
ENGINEER: _____	SUBMITTED BY: _____	DATE: _____
CONTRACTOR: _____	APPROVED BY: _____	DATE: _____
	ORDER NO.: _____	DATE: _____

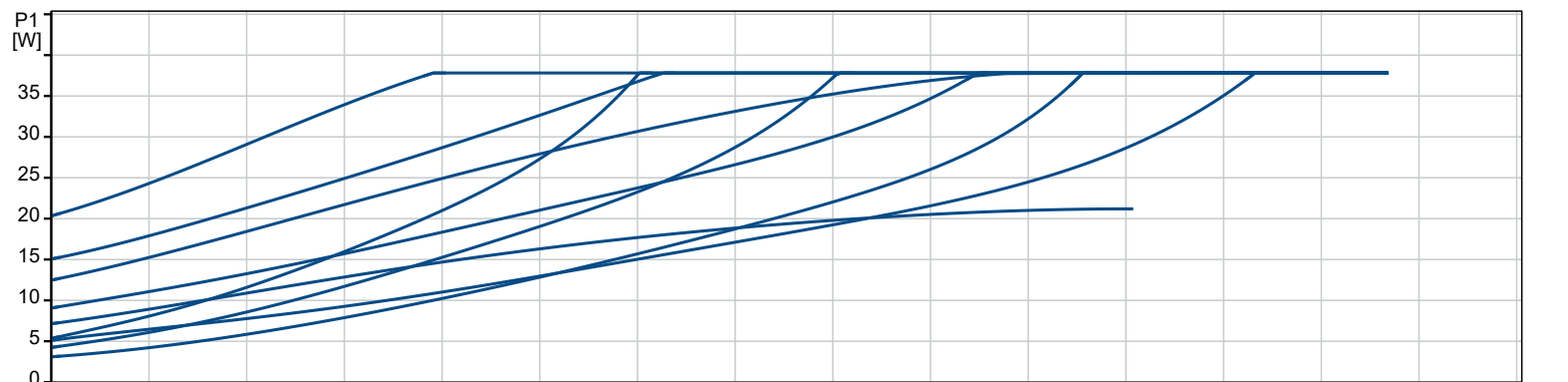
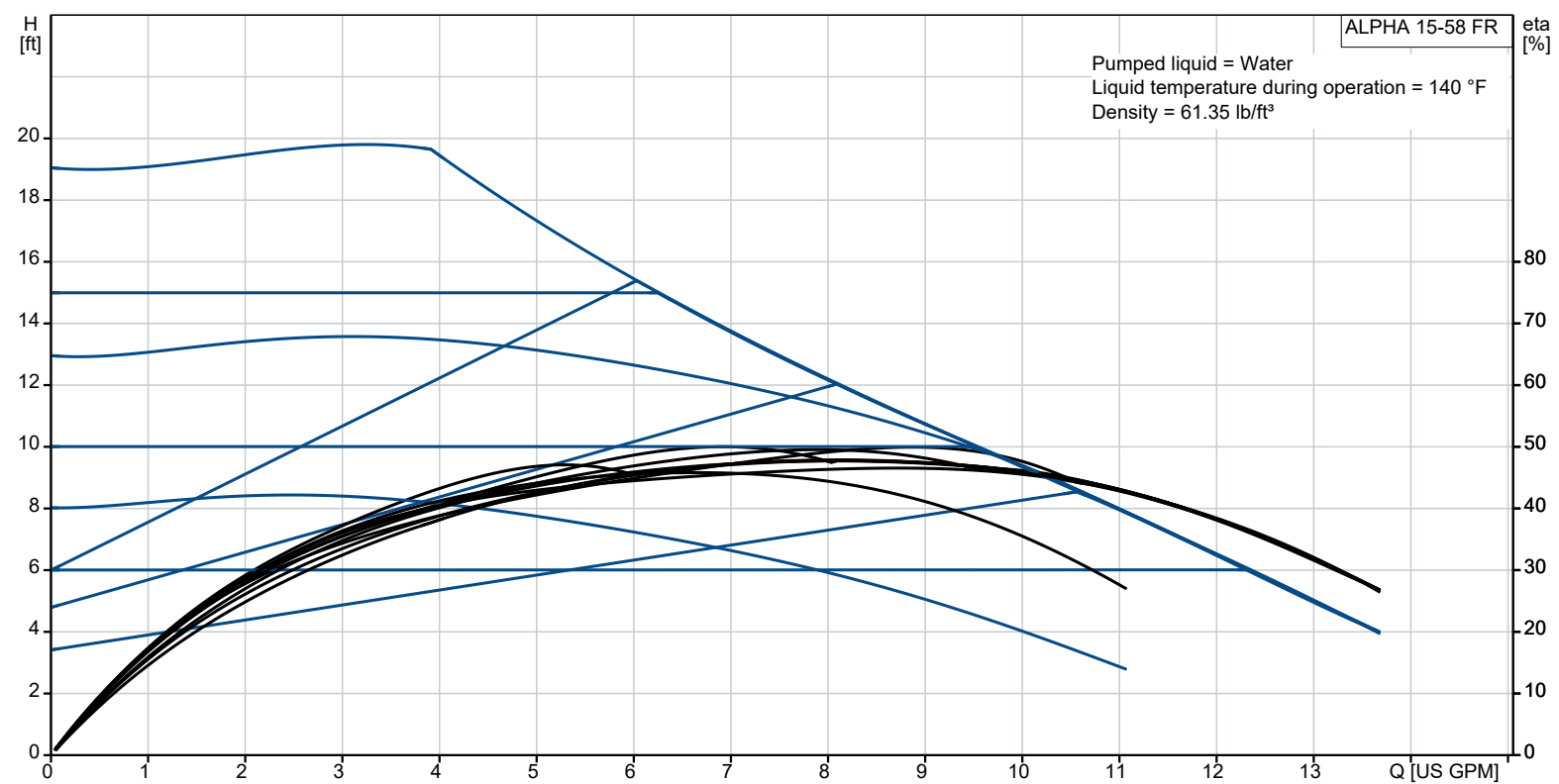


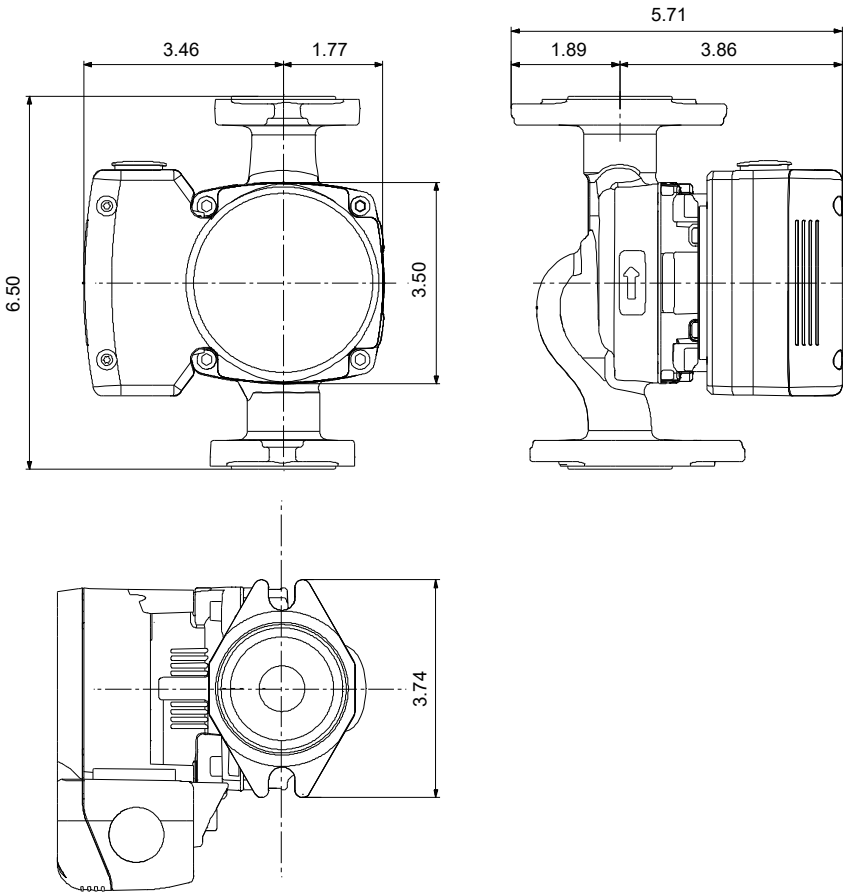
ALPHA 15-58 FR

ALPHA is a high-efficiency circulator designed for heating systems. It offers faster installation, smarter setup and troubleshooting, higher energy savings and fewer call-backs compared to other pumps.

Note! Product picture may differ from actual product

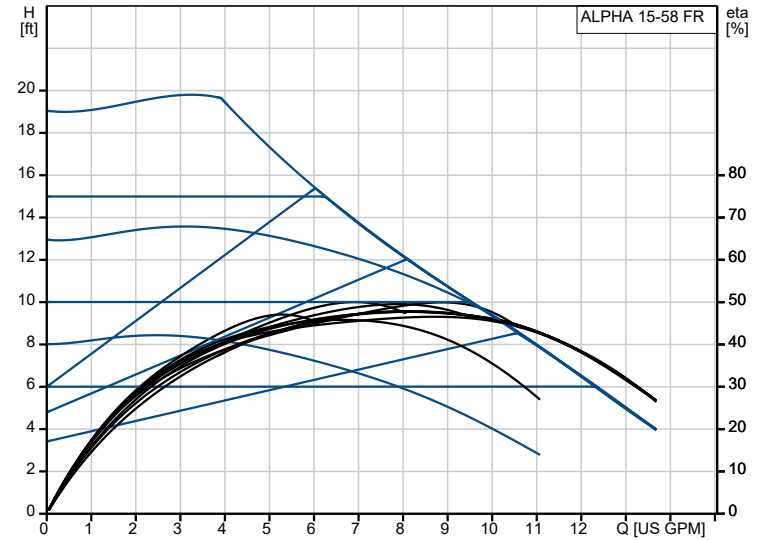
Conditions of Service		Pump Data		Motor Data	
Liquid:	Water	Maximum operating pressure:	175.0 PSI	Mains frequency:	60 Hz
Temperature:	140 °F	Liquid temperature range:	35.6 .. 230 °F		
Specific Gravity:	0.985	Maximum ambient temperature:	131 °F		
		Pipe connection:	GF 15/26		
		Product number:	92603108		





Materials:
Pump housing: Cast iron
Pump housing: ASTM A48-25A
Impeller: Composite

Description	Value
General information:	
Product name:	ALPHA 15-58 FR
Product No:	92603108
EAN number:	5715116925202
Price:	
Technical:	
Rated flow:	8.37 US GPM
Rated head:	11.16 ft
TF class:	110
Approvals:	FCC,cULus
Model:	B
Materials:	
Pump housing:	Cast iron
Pump housing:	EN 1561 EN-GJL-150
Pump housing:	ASTM A48-25A
Impeller:	Composite
Impeller:	PESU 30% gf + PESU-GF20%
Installation:	
Range of ambient temperature:	32 .. 131 °F
Maximum permissible operating pressure:	175.0 PSI
Pipe connection:	GF 15/26
Pressure rating for connection:	PN 12
Port-to-port length:	6 1/2 in
Liquid:	
Pumped liquid:	Water
Liquid temperature range:	35.6 .. 230 °F
Selected liquid temperature:	140 °F
Density:	61.35 lb/ft ³
Electrical data:	
P1 min.:	3.4 W
P1 max.:	38 W
Mains frequency:	60 Hz
Rated voltage:	1 x 115 V
Maximum current consumption:	0.71 A
Enclosure, Type:	2
Others:	
Net weight:	5.34 lb
Gross weight:	6 lb
Shipping volume:	0.25 ft ³
Sales region:	Namreg
Country of origin:	DK
Custom tariff no.:	8413.70.2005



Pumped liquid = Water
Liquid temperature during operation = 140 °F
Density = 61.35 lb/ft³

