

PROJECT: _____	UNIT TAG: _____	QUANTITY: _____
REPRESENTATIVE: _____	TYPE OF SERVICE: _____	DATE: _____
ENGINEER: _____	SUBMITTED BY: _____	DATE: _____
CONTRACTOR: _____	APPROVED BY: _____	DATE: _____
	ORDER NO.: _____	DATE: _____

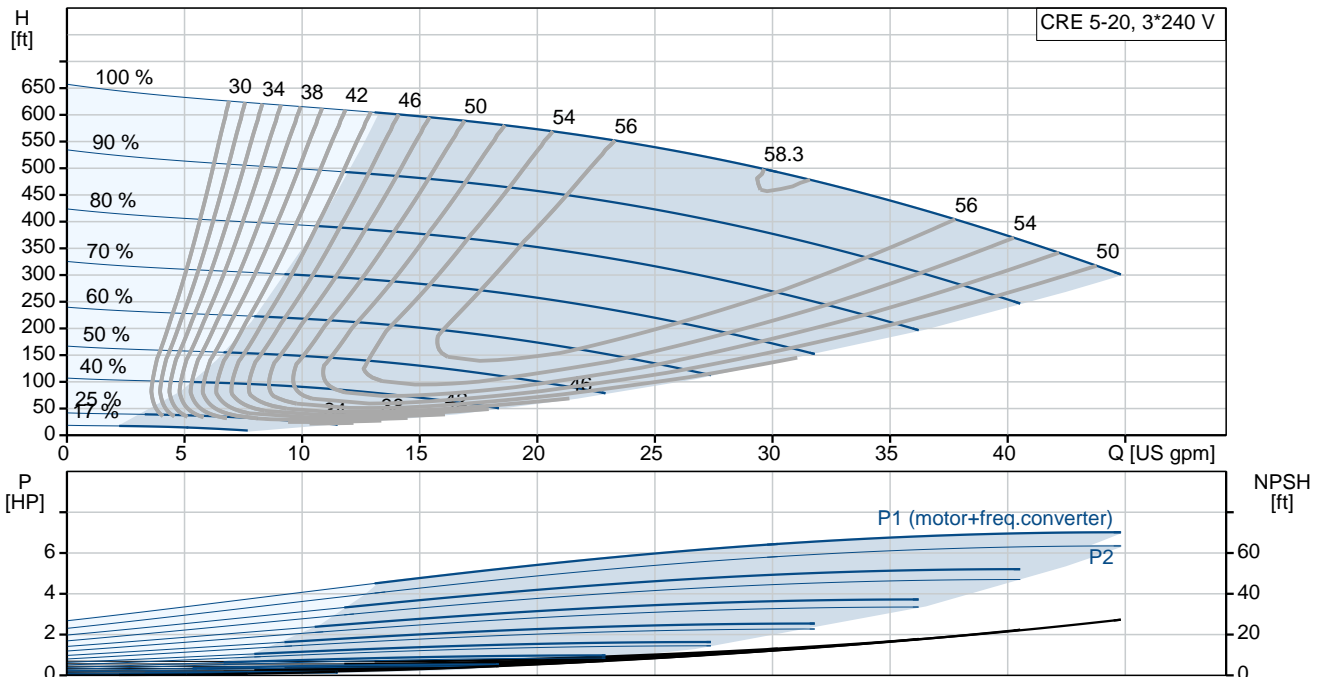


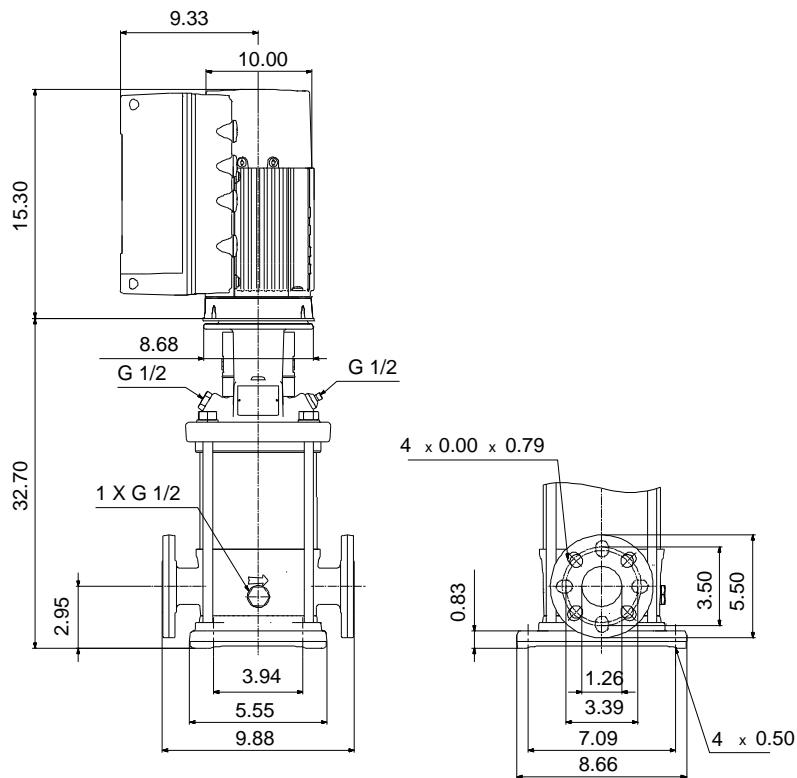
**CRE 5-20 N-FGJ-A-E-HQQE**

Vertical, multistage centrifugal pump with integrated frequency converter. Pump materials in contact with the liquid are in stainless steel (EN 1.4301)

Product photo could vary from the actual product

Conditions of Service	Pump Data	Motor Data
Flow: _____	Max pressure at stated temperature: 363 psi / 250 °F	Rated power - P2: 7.5 HP
Head: _____	Liquid temperature range: -4 .. 248 °F	Rated voltage: 200-240 V
Efficiency: _____	Maximum ambient temperature: 104 °F	Main frequency: 60 Hz
Liquid: Water	Approvals: CURUS,NSF61	Enclosure class: IP55
Temperature: 68 °F	Shaft seal: HQQE	Insulation class: F
NPSH required: ft	Product number: 99389090	Motor protection: YES
Viscosity: _____		Motor type: 132F
Specific Gravity: 1.000		Motor_efficiency: 90.2 %





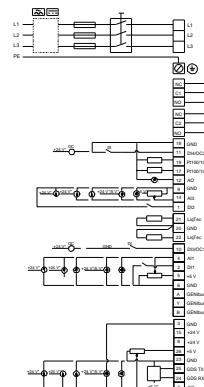
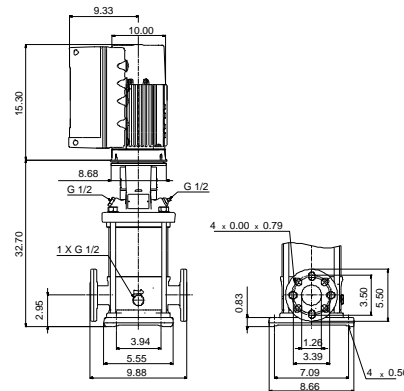
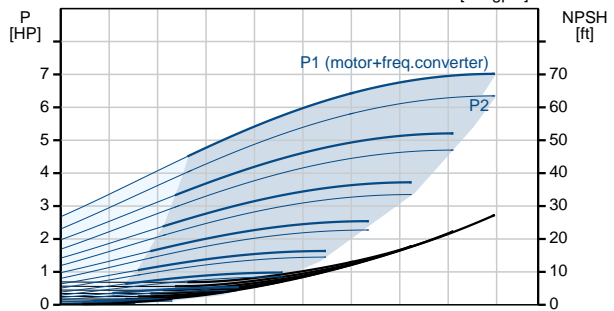
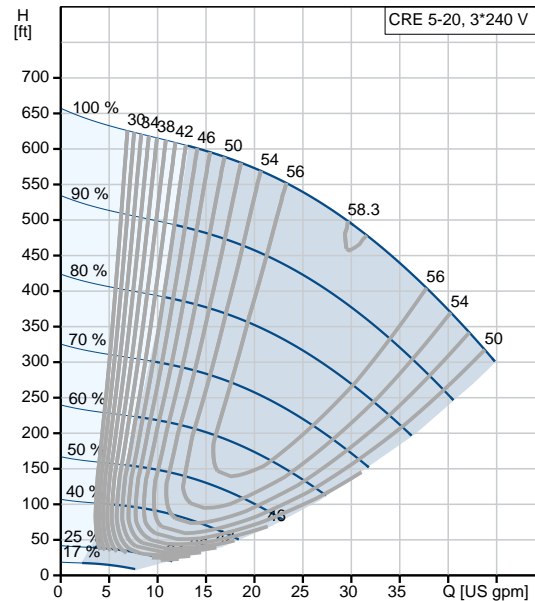
**Materials:**

Base: Cast iron  
 EN 1561 EN-GJL-200  
 ASTM A48-25B

Impeller: Stainless steel  
 AISI 304  
 EN 1.4301

Material code: A  
 Code for rubber: E

Description	Value
<b>General information:</b>	
Product name:	CRE 5-20 N-FGJ-A-E-HQQE
Product No.:	99389090
EAN:	5713828319593 5713828319593
<b>Technical:</b>	
Rated pump speed:	3467 rpm
Rated flow:	30.4 US gpm
Rated head:	486.9 ft
Maximum head:	652.3 ft
Stages:	20
Impellers:	20
Number of reduced-diameter impellers:	0
Low NPSH:	N
Pump orientation:	Vertical
Shaft seal arrangement:	Single
Code for shaft seal:	HQQE
Approvals on nameplate:	CURUS,NSF61
Curve tolerance:	ISO9906:2012 3B
Pump version:	N
Model:	A
<b>Materials:</b>	
Base:	Cast iron EN 1561 EN-GJL-200 ASTM A48-25B
Impeller:	Stainless steel EN 1.4301 AISI 304
Material code:	A
Code for rubber:	E
Bearing:	SIC
<b>Installation:</b>	
Maximum ambient temperature:	104 °F
Maximum operating pressure:	362.59 psi
Max pressure at stated temperature:	363 psi / 250 °F 363 psi / -4 °F
Type of connection:	DIN / ANSI / JIS
Size of inlet connection:	DN 25/32
Size of outlet connection:	DN 25/32
Pressure rating for pipe connection:	PN 25
Flange rating inlet:	250 lb
Flange size for motor:	213TC
Connect code:	FGJ
<b>Liquid:</b>	
Pumped liquid:	Water
Liquid temperature range:	-4 .. 248 °F
Selected liquid temperature:	68 °F
Density:	62.29 lb/ft³
<b>Electrical data:</b>	
Motor standard:	NEMA
Motor type:	132F
IE Efficiency class:	IE5
Rated power - P2:	7.5 HP
Power (P2) required by pump:	7.5 HP
Main frequency:	60 Hz
Rated voltage:	3 x 200-240 V
Service factor:	1.15





Company name:

Created by:

Phone:

Date:

2/24/2020

Description	Value
Rated current:	20.0-16.6 A
Cos phi - power factor:	0.94
Rated speed:	360-4000 rpm
IE efficiency:	90.2%
Motor efficiency at full load:	90.2 %
Enclosure class (IEC 34-5):	IP55
Insulation class (IEC 85):	F
Motor protection:	YES
Motor Number:	99301703
<b>Controls:</b>	
Control panel:	Graphical
Function Module:	FM300 - Advanced
Frequency converter:	Built-in
Pressure sensor:	Y
<b>Others:</b>	
Net weight:	166 lb
Gross weight:	278 lb
Shipping volume:	17.2 ft <sup>3</sup>