



SUBMITTAL

GSPA-SERIES
AIR SEPARATOR

Models: GSPA-2 thru GSPA-24

Date: 1/18

Job Name _____	Submitted By _____	Date _____
Location _____	Approved By _____	Date _____
_____	Order No. _____	Date _____
Engineer _____	Notes _____	
Contractor _____		
Sales Rep. _____		

Description

Grundfos GSPA ASME Vortex type Air Separators eliminate air quickly and efficiently from open and closed loop heating/cooling systems. Water enters and exits through unique "tangential" connections, which promote a low velocity swirling effect in the center of the unit. Natural centrifugal forces allow the heavier air-free water to move toward the outer edges while entrained air is captured within the "eye" of the vortex and released out of the top of the separator. The bubble-free water then exits near the bottom of the unit, protecting the systems against the noise, corrosion, and damage commonly caused by entrained air.

Construction

Shell: Carbon Steel
Heads: Carbon Steel
Exterior: Primer Painted

Performance Limitations

Maximum Design Temperature: 450°F
Maximum Design Pressure: 125 PSIG*

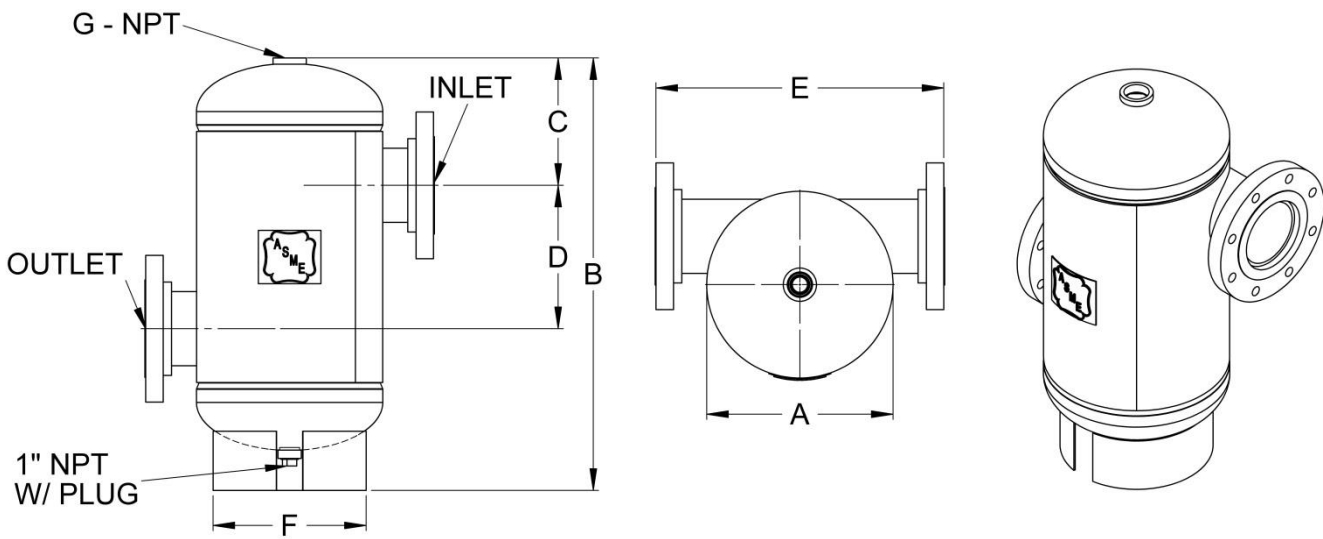
*200 & 250 PSIG available

Model Number	Part Number	Max Flow (GPM)	Tagging Information	Quantity
GSPA-2	99397991	56		
GSPA-2.5	99397992	90		
GSPA-3	99398015	190		
GSPA-4	99398017	300		
GSPA-5	99398018	530		
GSPA-6	99398019	850		
GSPA-8	99398021	1900		
GSPA-10	99398022	3200		
GSPA-12	99398033	4800		
GSPA-14	99398035	6100		
GSPA-16	99398036	8000		
GSPA-18	99398038	9700		
GSPA-20	99398039	12000		
GSPA-22	99398041	15000		
GSPA-24	99398043	17000		

Typical Specification

Furnish and install, as shown on plans, a vortex type air separator model GSPA _____ sized for _____ GPM, with _____" (NPT/Flanged) tangential connections, as manufactured by Grundfos. A blowdown connection shall be provided to facilitate routine cleaning of the unit. The tank must be constructed in accordance with most recent addendum of Section VIII Division 1 of the ASME Boiler and Pressure Vessel Code, and shall be constructed and stamped for 125 PSI working pressure @ 450°F.

Each air separator shall be Grundfos model number GSPA-_____ or approved equal.



GSPA-2 thru GSPA-24

Dimensions & Weights

Model Number	Dimensions in Inches								Approx. Shipping Wt (lbs)
	Connection Size	A	B	C	D	E	F	G	
ÖSPA-2	2 NPT	12	22 1/2	5 1/2	8 1/2	16 5/8	9 1/2	1 1/4	34
ÖSPA-2.5	2.5 NPT		25	6 1/4	8	19 3/4			37
ÖSPA-3	3		32	9 1/8	10 3/4	21 3/4			45
ÖSPA-4	4	14	32	9 1/8	10 3/4	21 3/4	11 1/2	1 1/2	80
ÖSPA-5	5								125
ÖSPA-6	6	20	44	13 1/4	14 1/2	28	18	2	175
ÖSPA-8	8								210
ÖSPA-10	10	30	60 1/2	19	20	41	24		460
ÖSPA-12	12								577
ÖSPA-14	14	36	78	22	31 1/2	46 3/8	30		850
ÖSPA-16	16	48	108	30	40	60	38		1858
ÖSPA-18	18	54	124	33	50	66	44		2490
ÖSPA-20	20	60	138	35	60	72	50		3346
ÖSPA-22	22	66	150	38	66	78	56		3879
ÖSPA-24	24	66				80			4211

Notes

- Available with mounting clips.