

PROJECT: _____	UNIT TAG: _____	QUANTITY: _____
REPRESENTATIVE: _____	TYPE OF SERVICE: _____	DATE: _____
ENGINEER: _____	SUBMITTED BY: _____	DATE: _____
CONTRACTOR: _____	APPROVED BY: _____	DATE: _____
	ORDER NO.: _____	DATE: _____

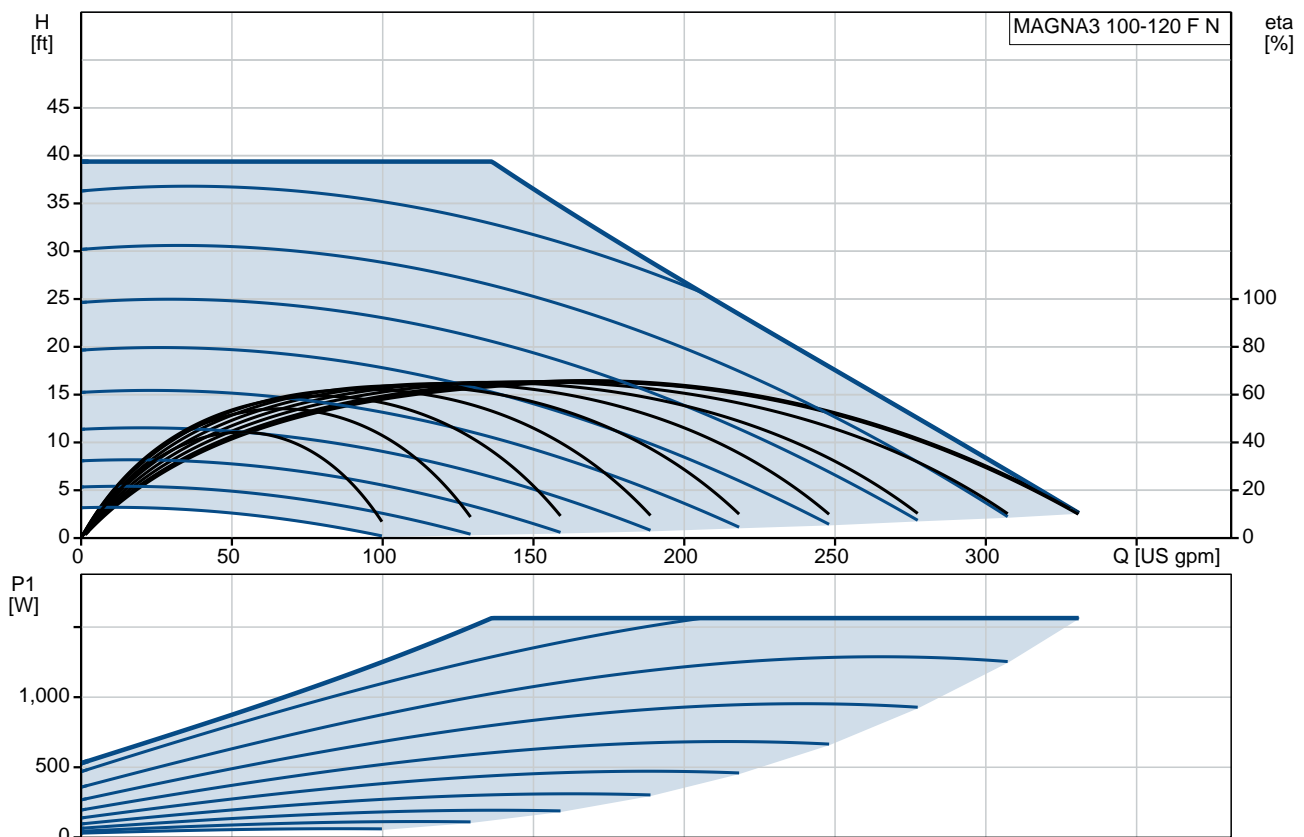


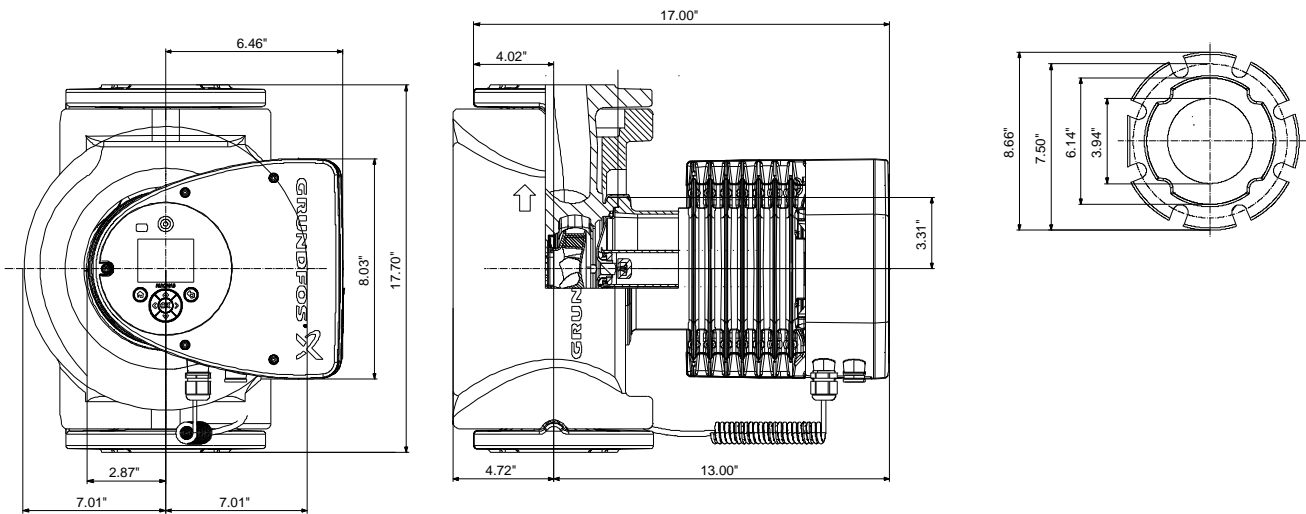
MAGNA3 100-120 F N

Full range of intelligent, high-efficiency circulators for heating, cooling, ground source heat pump systems and domestic hot water applications

Product photo could vary from the actual product

Conditions of Service	Pump Data	Motor Data
Flow: _____	Maximum operating pressure: 174.05 psi	P1 max: 31 .. 1564 W
Head: _____	Liquid temperature range: 14 .. 230 °F	Rated voltage: 208-230 V
Efficiency: _____	Maximum ambient temperature: 104 °F	Main frequency: 60 Hz
Liquid: Water	Approvals: 98544604	Enclosure class: X4D
Temperature: 140 °F	Flange standard: GF	Insulation class: F
NPSH required: ft	Pipe connection: GF100	
Viscosity: _____	Product number: 98126862	
Specific Gravity: 0.985		





Materials:

Pump housing: Stainless steel
 EN 1.4308
 ASTM 351 CF8

Impeller: PES 30%GF

Description	Value
General information:	
Product name:	MAGNA3 100-120 F N
Product No.:	98126862
EAN:	5710629500243
	5710629500243
Technical:	
Rated flow:	165 US gpm
Rated head:	31.83 ft
Head max:	39.37 ft
TF class:	110
Approvals on nameplate:	98544604
Model:	D
Materials:	
Pump housing:	Stainless steel EN 1.4308 ASTM 351 CF8
Impeller:	PES 30%GF
Installation:	
Range of ambient temperature:	32 .. 104 °F
Maximum operating pressure:	174.05 psi
Flange standard:	GF
Pipe connection:	GF100
Pressure stage:	PN12
Port-to-port length:	17 3/4 in
Liquid:	
Pumped liquid:	Water
Liquid temperature range:	14 .. 230 °F
Selected liquid temperature:	140 °F
Density:	61.35 lb/ft ³
Electrical data:	
Power input - P1:	31 .. 1564 W
Main frequency:	60 Hz
Rated voltage:	1 x 208-230 V
Maximum current consumption:	0.32 .. 6.78 A
Enclosure class (IEC 34-5):	X4D
Insulation class (IEC 85):	F
Others:	
Energy (EEI):	0.17
Net weight:	76.7 lb
Gross weight:	81.7 lb
Shipping volume:	3220 ft ³
Custom tariff no.:	8413.70.2015

