

| | | |
|-----------------------|------------------------|-----------------|
| PROJECT: _____ | UNIT TAG: _____ | QUANTITY: _____ |
| REPRESENTATIVE: _____ | TYPE OF SERVICE: _____ | DATE: _____ |
| ENGINEER: _____ | SUBMITTED BY: _____ | DATE: _____ |
| CONTRACTOR: _____ | APPROVED BY: _____ | DATE: _____ |
| | ORDER NO.: _____ | DATE: _____ |

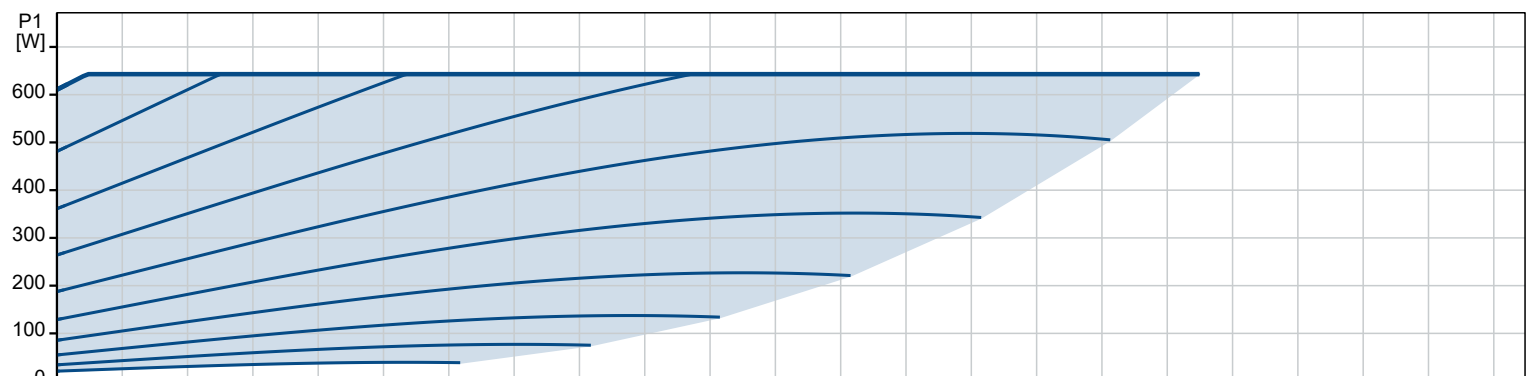
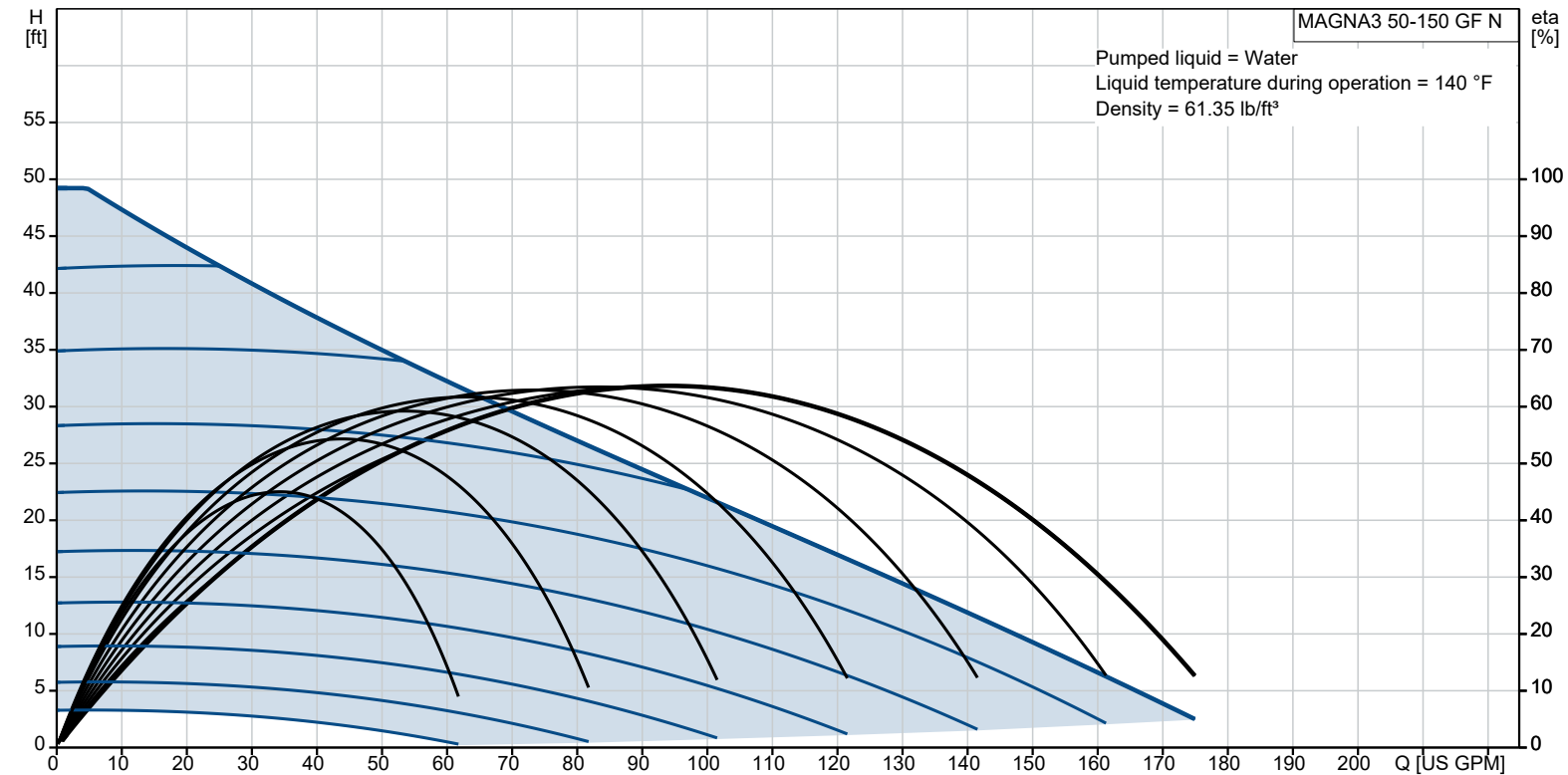
MAGNA3 50-150 GF N

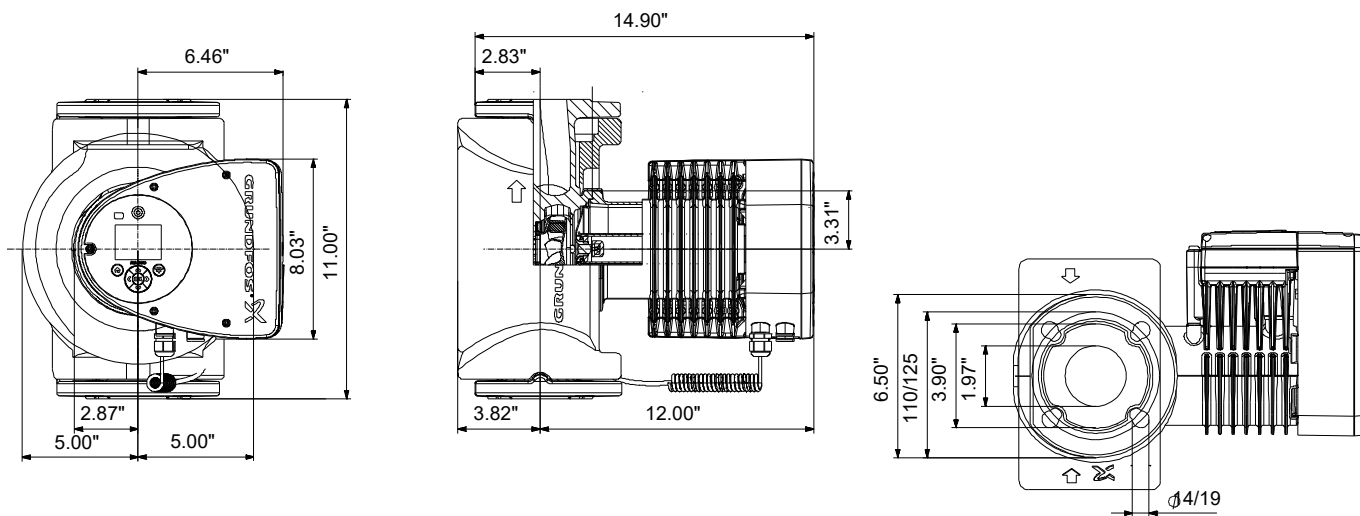
The MAGNA3 N offers all of the features of a MAGNA3 in stainless-steel, if the media requires this, for example in domestic-hot water applications. The MAGNA3 has integrated Bluetooth allowing it to connect directly with the Grundfos GO APP.



Note! Product picture may differ from actual product

| Conditions of Service | | Pump Data | | Motor Data | |
|-----------------------|--------|------------------------------|--------------|------------------|-------|
| Liquid: | Water | Liquid temperature range: | 14 .. 230 °F | Mains frequency: | 60 Hz |
| Temperature: | 140 °F | Maximum ambient temperature: | 104 °F | Enclosure class: | X4D |
| Specific Gravity: | 0.985 | Flange standard: | GF | | |
| | | Pipe connection: | GF53 | | |
| | | Product number: | 98126818 | | |





Materials:

- Pump housing: Stainless steel
- Pump housing: ASTM A351-CF8
- Impeller: Composite

