

PROJECT: _____	UNIT TAG: _____	QUANTITY: _____
REPRESENTATIVE: _____	TYPE OF SERVICE: _____	DATE: _____
ENGINEER: _____	SUBMITTED BY: _____	DATE: _____
CONTRACTOR: _____	APPROVED BY: _____	DATE: _____
	ORDER NO.: _____	DATE: _____

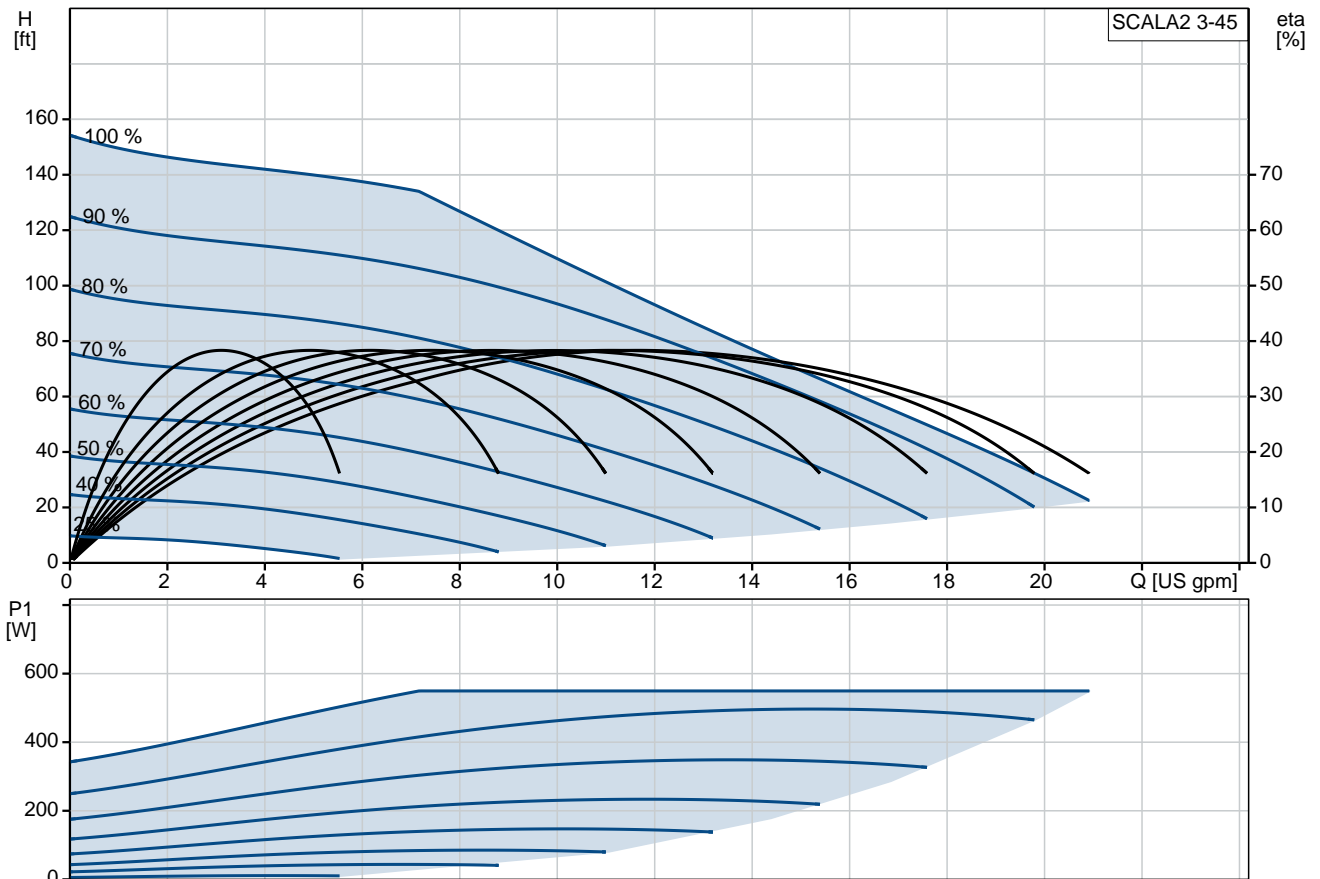


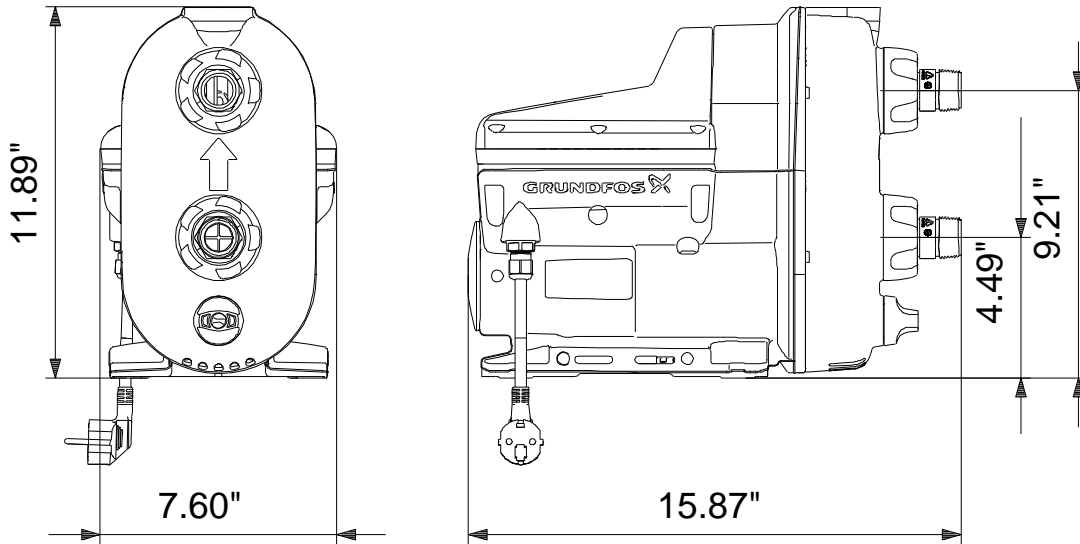
SCALA2 3-45

Grundfos SCALA is a fully integrated, self-priming, compact waterworks for pressure boosting in domestic applications, designed for pressure boosting in one- and two-family houses and apartments.

Product photo could vary from the actual product

Conditions of Service	Pump Data	Motor Data
Flow: _____	Maximum operating pressure: 145 psi	Rated voltage: 115 V
Head: _____	Liquid temperature range: 32 .. 113 °F	Main frequency: 60 Hz
Efficiency: _____	Maximum ambient temperature: 113 °F	Enclosure class: ENCLOSURE TYPE 3
Liquid: Water	Approvals: cULus	Insulation class: F
Temperature: 68 °F	Pipe connection: NPT 1 Composite	
NPSH required: ft	Product number: 98562818	
Viscosity: _____		
Specific Gravity: 1.000		





Materials:

Pump housing: NORYL FE1630PW
PPE+PS-GS30

Impeller: NORYL FE1630PW
PPE+PS-GS30

Material code: A

Description	Value
General information:	
Product name:	SCALA2 3-45 A
Product No.:	98562818
EAN:	5711497233875
Technical:	
Rated flow:	13.2 US gpm
Rated head:	88.59 ft
Head max:	147.6 ft
Primary shaft seal:	CARBON/CERAMIC
Approvals on nameplate:	cULus
Approvals for drinking water:	cULus NSF372,cULus DW NSF61
Curve tolerance:	ISO9906:2012 3B
Model:	A
Materials:	
Pump housing:	NORYL FE1630PW PPE+PS-GS30
Impeller:	NORYL FE1630PW PPE+PS-GS30
Material code:	A
Installation:	
Range of ambient temperature:	32 .. 113 °F
Maximum operating pressure:	145 psi
Maximum permissible inlet pressure:	87 psi
Pipe connection:	NPT 1 Composite
Liquid:	
Pumped liquid:	Water
Liquid temperature range:	32 .. 113 °F
Liquid temperature during operation:	68 °F
Density:	62.29 lb/ft³
Electrical data:	
Power input - P1:	550 W
Main frequency:	60 Hz
Rated voltage:	1 x 115 V
Rated current:	4.9 A
Enclosure class (IEC 34-5):	ENCLOSURE TYPE 3
Insulation class (IEC 85):	F
Length of cable:	6.562 ft
Power plug:	Type B (NEMA 5-15)
Others:	
Net weight:	21.2 lb
Gross weight:	26.2 lb
Shipping volume:	1.55 ft³
Storage temperature range:	-40 .. 158 °F
Country of origin:	RS
Custom tariff no.:	8413.70.2004

