

PROJECT: _____	UNIT TAG: _____	QUANTITY: _____
REPRESENTATIVE: _____	TYPE OF SERVICE: _____	DATE: _____
ENGINEER: _____	SUBMITTED BY: _____	DATE: _____
CONTRACTOR: _____	APPROVED BY: _____	DATE: _____
	ORDER NO.: _____	DATE: _____

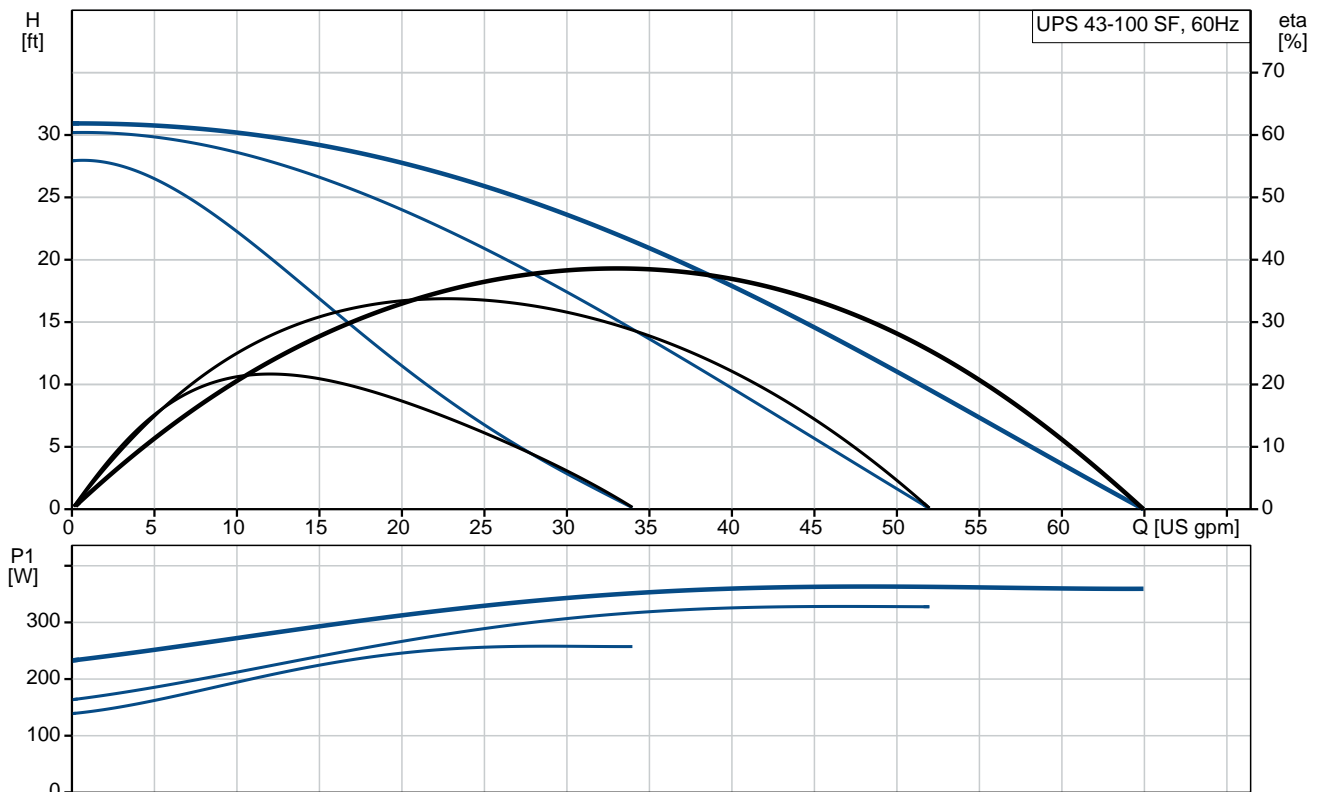
UPS 43-100 SF

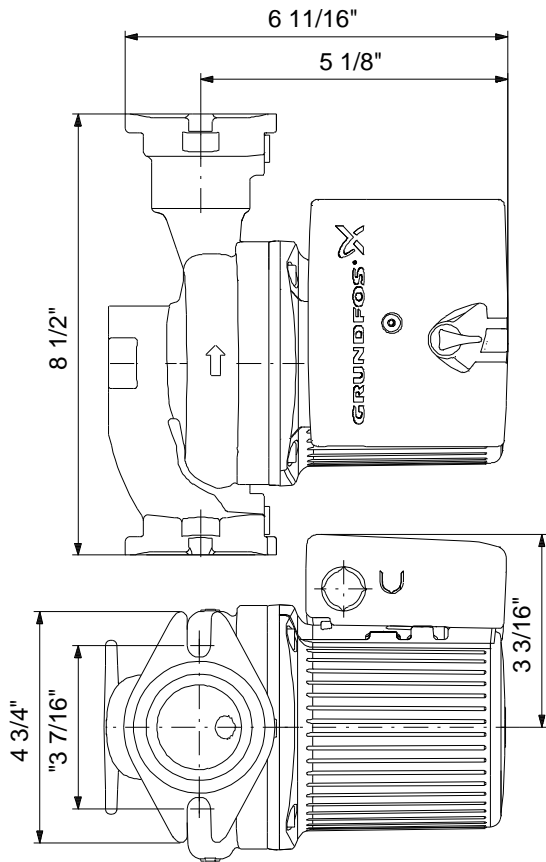
Circulator pumps



Product photo could vary from the actual product

Conditions of Service	Pump Data	Motor Data
Flow: _____	Maximum operating pressure: 145 psi	Max. power input: 370 W
Head: _____	Liquid temperature range: 32 .. 230 °F	Rated voltage: 115 V
Efficiency: _____	Maximum ambient temperature: 104 °F	Main frequency: 60 Hz
Liquid: Water	Approvals: ETL, CSA	Insulation class: H
Temperature: 140 °F	Type of connection: S.S. Flange	Motor protection: CONTACT
NPSH required: ft	Flange standard: USA Oval	Thermal protection: internal
Viscosity: _____	Pipe connection: 2 - Bolt Flange	
Specific Gravity: 0.985	Product number: 95906638	





Materials:

- Pump housing: Stainless steel
DIN W.-Nr. 1.4301
- Impeller: Composite, PES

Description	Value
General information:	
Product name:	UPS 43-100 SF
Product No.:	95906638
EAN:	5700313291762
Technical:	
Speed Number:	3
Max flow:	65 US gpm
Head max:	30.84 ft
Approvals on nameplate:	ETL, CSA
Materials:	
Pump housing:	Stainless steel
	DIN W.-Nr. 1.4301
Impeller:	Composite, PES
Installation:	
Maximum ambient temperature:	104 °F
Ambient max at 176°F liquid:	176 °F
Maximum operating pressure:	145 psi
Flange standard:	USA Oval
Type of connection:	S.S. Flange
Pipe connection:	2 - Bolt Flange
Pressure stage:	10
Port-to-port length:	8 1/2 in
Liquid:	
Pumped liquid:	Water
Liquid temperature range:	32 .. 230 °F
Liquid temperature during operation:	140 °F
Density:	61.35 lb/ft ³
Electrical data:	
Power input in speed 1:	355370 HP
Power input in speed 2:	335 W
Max. power input:	370 W
Main frequency:	60 Hz
Rated voltage:	1 x 115 V
Current in speed 1:	2.5 A
Current in speed 2:	3.1 A
Current in speed 3:	3.5 A
Capacitor size - run:	40 µF/180 V
Number of poles:	2
Insulation class (IEC 85):	H
Motor protection:	CONTACT
Thermal protec:	internal
Controls:	
Pos term box:	9H
Others:	
Gross weight:	17.7 lb
Country of origin:	US
Custom tariff no.:	8413.70.2005

