

# GROOVED BUTTERFLY VALVES WITH LEVER HANDLE

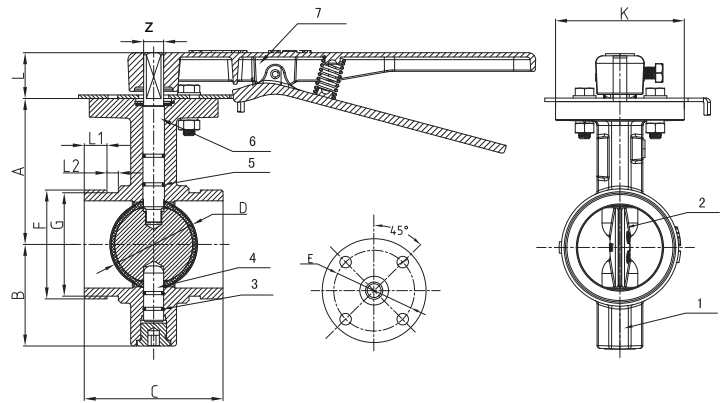
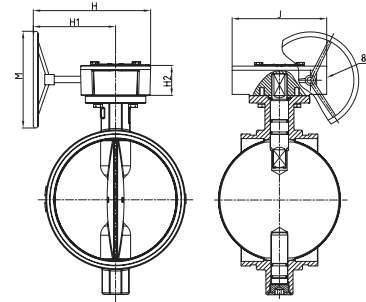


**LEVER OPERATED**



**GEAR OPERATED**

Size	Item #
2"	700-325-00700
2½"	700-325-00720
3"	700-325-00740
4"	700-325-00760
5"	700-325-00780
6"	700-325-00800
8"	700-325-00820
<b>Gear Operated</b>	
10"	700-325-00840



## General Specifications:

- Design Standard: MSS SP-67
- Connection Ends: Groove to AWWA C606
- Top Flange Standard: ISO 5211
- Lever operated - 10 position lockable handle
- Working Pressure: 300PSI
- Coating: Fusion Bonded Epoxy Coating in accordance with ANSI/AWWA C550 or painting upon request
- NSF/ANSI 61 NSF/ANSI 372

## Material Specification

Part No.	Part	Standard Specification	Options
1	Valve Body	ASTM A536, 65-45-12	
2	Disc	ASTM A536, 65-45-12 + EPDM	ASTM A536, 65-45-12 + NBR
3	O-Ring	NBR	EPDM
4	Stem	Stainless Steel	AISI 304, AISI 316, AISI 420, AISI 431
5	O-Ring	NBR	EPDM
6	Stem	Stainless Steel	AISI 304, AISI 316, AISI 420, AISI 431
7	Lever	ASTM A536, 65-45-12	Aluminum
8	Gear Box	ASTM A536, 65-45-12	

## Valve Dimensions (inches)

Size	A	B	C	D	F	G	L1	L2	L	K	H	H1	H2	J	M	Z	E
2"	3.5	2.56	3.20	2.0	2.37	2.25	.625	.31	1.25	3.54	8.10	6.22	2.0	4.50	5.90	.55	2.75
2.5"	4.0	2.80	3.82	2.40	2.87	2.72	.625	.31	1.25	3.54	8.10	6.22	2.0	4.50	5.90	.55	2.75
3"	4.30	3.20	3.82	3.00	3.50	3.34	.625	.31	1.25	3.54	8.10	6.22	2.0	4.50	5.90	.55	2.75
4"	5.0	3.75	4.57	3.88	4.50	4.33	.625	.375	1.25	3.54	8.10	6.22	2.0	4.50	5.90	.63	2.75
5"	5.55	4.37	5.83	4.83	5.56	5.40	.625	.375	1.25	3.54	8.10	6.22	2.0	4.50	5.90	.63	2.75
6"	6.0	5.24	5.83	5.83	6.63	6.46	.625	.375	1.25	3.54	8.10	6.22	2.0	4.50	5.90	.79	4.0
8"	7.25	6.46	5.25	7.84	8.63	8.44	.75	.44	1.77	4.92	12.20	9.40	2.70	6.58	11.80	1.02	4.0
10"	8.50	7.72	6.25	9.92	10.75	10.56	.75	.50	1.77	4.92	12.20	9.40	2.70	6.58	11.80	1.02	4.0
*12"	10.0	8.90	6.50	11.83	12.75	12.53	.75	.50	1.77	4.92	12.20	9.0	2.87	7.48	11.80	1.10	4.0
*14"	11.4	9.50	7.00	12.75	14.85	14.62	.94	.50	1.77	5.90	12.20	9.0	2.87	7.48	11.80	1.25	4.92

\*Special Order

Note: valve must not be installed with disc in full open position. Disc must be partly closed so that no part is protruding beyond end of valve body