

GROOVED DRAIN ELBOW

Model 204



The Model 002D is a grooved-end ductile iron cast elbow with an integral 1" NPT drain. The 002D was primarily designed for, but not limited to, used on fire protection standpipes



Available Sizes

- 2" through 8" (50 through 203 mm)

Pipe Material

- Carbon steel, Schedule 10, Schedule 40.
- For use with alternative materials and wall thicknesses please contact ARGCO.

Maximum Working Pressure

- Up to 300 psi/20 bar

Function

- Joins carbon steel pipe.
- Provides a rigid pipe joint designed to restrict axial or angular movement.

CERTIFICATIONS/LISTINGS

Underwriters Laboratories, Underwriters Laboratories Canada, Factory Mutual.

SPECIFICATIONS - MATERIAL

Housing Sections: Ductile Iron conforming to ASTM A 536, Grade 65-45-12.

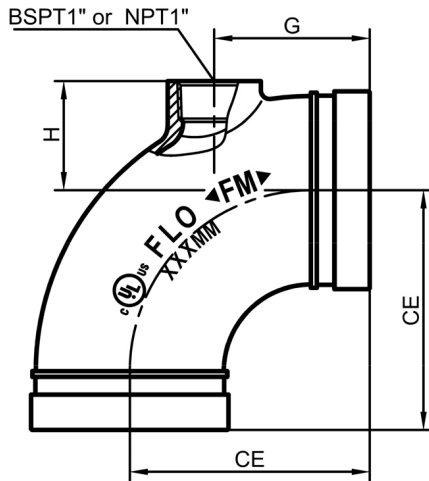
Housing Coating:

- Standard: Orange Enamel
- Available: Hot Dipped Galvanized

System No.		Location		Spec Section		Paragraph	
Submitted By		Date		Approved		Date	

GROOVED DRAIN ELBOW

Model 204



Item #	Nominal Size in/mm	Pipe O.D. in/mm	Max Working Pressure psi/Bar	Dimensions		
				C-E inches mm	H inches mm	G inches mm
7010054	2	2.38	300	2.27	1.57	2.24
	50	60	20	58	40	57
7010055	2.50	2.88	300	3.74	1.57	2.24
	64	73	20	95	40	57
7010056	3	3.50	300	4.25	1.93	2.24
	76	89	20	108	49	57
7010057	4	4.50	300	5.00	2.48	2.24
	101	114	20	127	63	57
7010058	6	6.63	300	6.50	4.49	2.75
	152	168	20	165	114	70
7010059	8	8.63	300	7.00	5.5	2.75
	203	219	20	178	140	70

- Working Pressure is total, from all internal and external loads, based on standard weight (ANSI) steel pipe, standard roll or cut grooved in accordance with ARGCO specifications.
- The allowable pipe separation dimension shown is for system layout purposes only. ARGCO couplings are considered rigid connections and will not accommodate expansion or contraction of the piping system.
- When assembling ARGCO couplings onto end caps, take additional care to make certain the end cap is fully seated against the gasket end stop.