



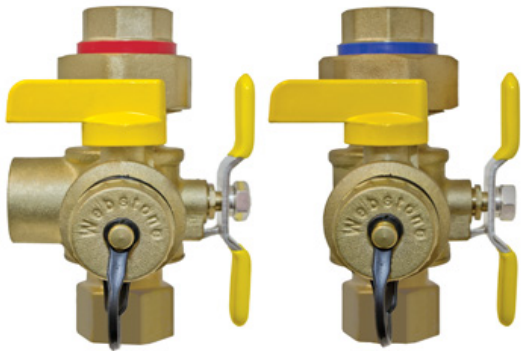
H-x044W Series

The Isolator E-X-P Tankless Water Heater Service Valve Kit
 Hot & Cold Set of Full Port Forged Brass Ball Valves
 w/ Hi-Flow Hose Drains,
 Pressure Relief Valve Outlet & Adjustable Packing Glands
 Lead Free
 Max Operating Pressure: 600 CWP
 Certified to NSF/ANSI 61 & 372



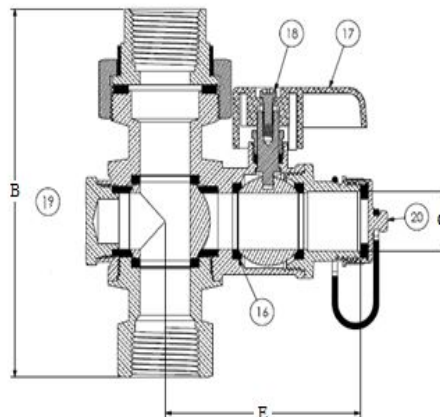
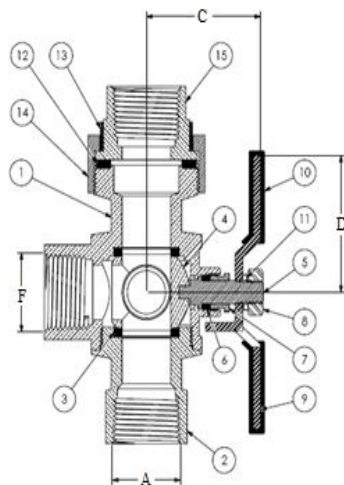
Patented Technology

ITEM#	Connection Type	pressure rating	SIZE (in)	Metric Pipe Size	CTN	CASE	A	B	C	D	E	F
H-40443W	FIP Union x FIP	600 CWP	3/4	3/4	1	8	0.75	4.94	1.50	1.81	2.88	3/4 NPT
H-50443W	SWT x FIP Union	600 CWP	3/4	3/4	1	8	1.25	4.50	3.00	4.50	2.31	3/4 NPT



NO.	DESCRIPTION	MATERIAL
1	Body	Brass
2	End Cap	Brass
3	Seat	PTFE
4	Ball	Brass HCP
5	Stem	Brass
6	Stem Seal	PTFE
7	Packing Gland	Brass
8	Handle Nut	Stainless Steel
9	Wing Style "T" Handle	Stainless Steel
10	Handle Jacket	Vinyl
11	Lock Washer	Stainless Steel
12	Union Washer	EPDM
13	Colored Insulator Ring	ABS
14	Union Nut	Brass
15	Union Fitting	Brass
16	Retaining Seats	PTFE
17	Drain Valve Handle	Enamel Coated Aluminum
18	Drain Valve Handle Screw	Brass
19	Retaining Nut	Brass
20	Cap & Strap	Brass w/ EPDM Washer & Strap

Designed for residential or commercial use with potable water. This approved Webstone valve is actuated by a blowout proof stem and features an adjustable packing gland. Threaded ends comply with ANSI B1.20.1.



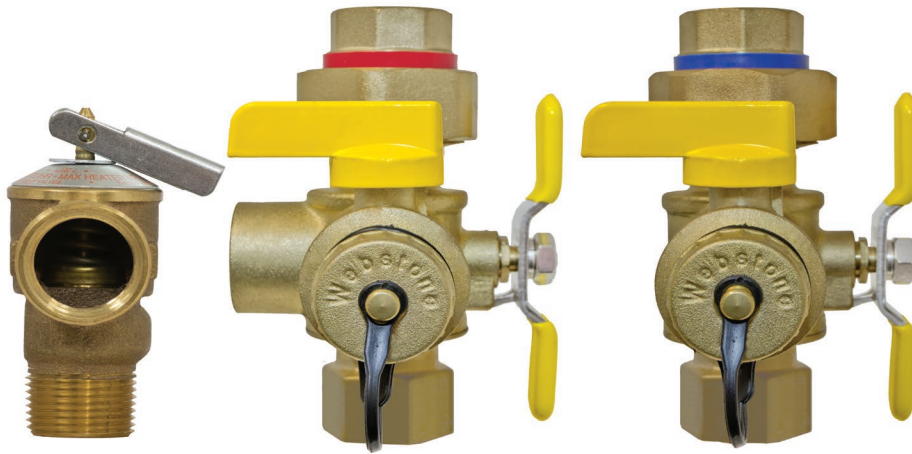


H-x044WPR Series

E-X-P Tankless Water Heater Service Valve Kit
 Hot & Cold Set of Full Port Forged Brass Ball Valves
 w/ Hi-Flow Hose Drains,
 Pressure Relief Valve Outlet
 & Adjustable Packing Glands
 Includes Residential Pressure Relief Valve (150 PSI/500,000 BTU/HR)

Certifications

Certified to NSF/ANSI 61 & 372
 Lead-Free



ITEM#	Connection Type	SIZE (in)	Carton	Case	MaxTemp
H-40443WPR	FIP Union x FIP	3/4	1	8	210°F Max
H-50443WPR	FIP Union x SWT	3/4	1	8	210°F Max