

Haier

Submittals

Next Gen Arctic Series

Rev. July 2020



1U09EH2VHD / AW09EH2VHD

1U12EH2VHD / AW12EH2VHD

1U18EH2VHD / AW18EH2VHD



For more information visit us:
www.Haierductless.com
www.Haierductlesshelp.com

Revision History

Rev. April 2020 - Submittal edition release.

Rev. July 2020 - Added ODU floor mounting dimensions diagrams.

Haier Next Gen Arctic Series Submittal

9000 BTU/HR WALL MOUNTED INVERTER DRIVEN HEAT PUMP SYSTEM 1U09EH2VHD / AW09EH2VHD

Job Name: _____

Purchaser: _____

Submitted To: _____

Construction: _____

Reference: _____

Approval: _____

Date: _____

Submitted By: _____

Unit: _____

Drawing #: _____



Accessories

Remote Controller

Ships with YR-HQ

Wired Controller

Compatible with wired controllers YR-E17, YR-E16B, and QACT17A.

Wind Baffle

Uses wind baffle QAWB37A

Built-in Features

- WK-B wired controller adapter
- WiFi
- Occupancy sensor



For more information visit us:
www.Haierductless.com
www.Haierductlesshelp.com

Electrical Requirement

| | |
|-------------------------------|--------------------------|
| Power Supply | 208/230V, 1 Phase, 60 HZ |
| Operating Voltage Range | 187~253 VAC |
| Recommended Fuse/Breaker Size | 15A |
| MCA | 13A |

Connecting cable to indoor units must be 14/4 AWG unshielded stranded copper. Cable must be ran continuous, without splicing.

Operating Range

| | |
|---------|---------------------|
| Cooling | 14~115°F (-10~46°C) |
| Heating | -31~75°F (-35~24°C) |

Cooling Performance

| | |
|------------------------|------------------|
| Rated Cooling Capacity | 9,000 BTU |
| Cooling Capacity Range | 3,100~12,000 BTU |
| Rated Power input | 550 W |
| SEER | 30.0 |
| EER | 16.0 |
| Moisture Removal | 2.5 Pt./h |

Heating Performance

| | |
|------------------------|------------------|
| Rated Heating Capacity | 10,000 BTU |
| Heating Capacity Range | 3,100~20,000 BTU |
| Rated Power Input | 845 W |
| HSPF | 15.2 |

Pipe Length

| | |
|--------------------------------|------------------------------------|
| Minimum Pipe Length | 6 ft |
| Maximum Pipe Length | 50 ft |
| Maximum Pipe Height Difference | 33 ft |
| Flare Connection | 1/4" (Discharge) 1/2" (Suction) |

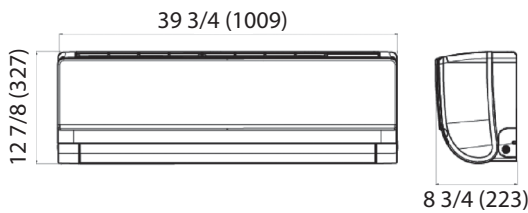


Haier Next Gen Arctic Series Submittal

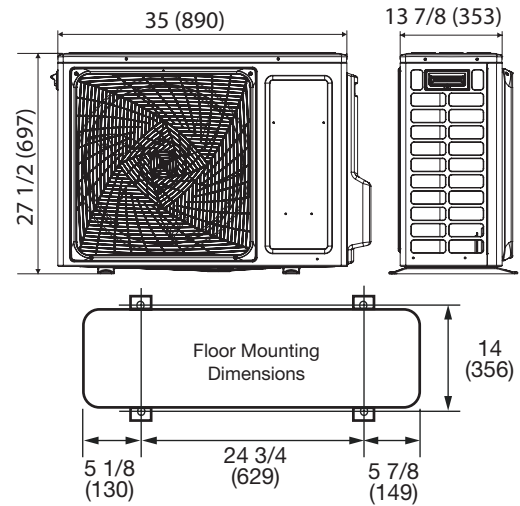
9000 BTU/HR WALL MOUNTED INVERTER DRIVEN HEAT PUMP SYSTEM

1U09EH2VHD / AW09EH2VHD

| Indoor Unit | |
|---|---|
| Uncrated Dimension (HxWxD) | 12 7/8 x 39 3/4 x 8 3/4 in (327 x 1009 x 223 mm) |
| Crated (HxWxD) | 16 x 42 3/4 x 11 5/8 in (405 x 1085 x 296 mm) |
| Airflow CFM (Turbo/High/Med/Low/Quiet) | 583/383/324/264/240 |
| Indoor Sound Level dB (Turbo/High/Med/Low/Quiet) | 45/37/34/31/28 |
| Motor Rating (HP) | 0.04 |
| Heat Exchanger Fin Type | Blue Fin |
| Weight (Ship/Net) | 35.7/27.8 lbs |



| Outdoor Unit | |
|----------------------------|--|
| Compressor | DC inverter Driven Rotary |
| Uncrated Dimension (HxWxD) | 27 1/2 x 35 x 13 7/8 in (697 x 890 x 353 mm) |
| Crated (HxWxD) | 31 1/2 x 41 1/8 x 18 1/8 in (800 x 1046 x 460 mm) |
| Outdoor Sound Rating dB | 54 |
| Heat Exchanger Fin Type | Blue Fin |
| Weight (Ship/Net) | 115.5/98.3 lbs |
| Factory Refrigerant Charge | R-410A (56.8 oz) |



Heating Capacity Data

| Outdoor Air Temp DB | Indoor Set Temperature | | | | | |
|---------------------|----------------------------------|-----------------|------------------------------|-----------------|------------------------------|-----------------|
| | 60°F (16°C) | | 70°F (21°C) | | 77°F (25°C) | |
| | Maximum Heating Capacity (Btu/h) | Power Usage (w) | Max Heating Capacity (Btu/h) | Power Usage (w) | Max Heating Capacity (Btu/h) | Power Usage (w) |
| -31° (-35°) | 3,050 | 1,180 | 3,200 | 1,300 | 3,250 | 1,370 |
| -22° (-30°) | 7,100 | 1,230 | 7,400 | 1,350 | 7,530 | 1,410 |
| -15° (-26°) | 8,260 | 1,380 | 8,600 | 1,480 | 8,750 | 1,520 |
| -4° (-20°) | 10,100 | 1,570 | 10,500 | 1,660 | 10,700 | 1,710 |
| 5° (-15°) | 11,500 | 1,590 | 12,000 | 1,670 | 12,250 | 1,740 |
| 17° (-8°) | 12,900 | 1,500 | 13,500 | 1,550 | 13,750 | 1,610 |
| 47° (8°) | 15,400 | 1,480 | 16,000 | 1,520 | 16,300 | 1,570 |

Capacity and power usage are measured under the assumption of indoor humidity of 46%

Cooling Capacity Data

| Outdoor Air Temp DB | Indoor Set Temperature | | | | | |
|---------------------|------------------------|-----------------|------------------------|-----------------|------------------------|-----------------|
| | 70°F (21°C) | | 75°F (24°C) | | 80°F (27°C) | |
| | Total Capacity (Btu/h) | Power Usage (w) | Total Capacity (Btu/h) | Power Usage (w) | Total Capacity (Btu/h) | Power Usage (w) |
| 14° (-10°) | 6,700 | 610 | 6,500 | 540 | 6,200 | 480 |
| 65° (18°) | 8,000 | 700 | 7,740 | 670 | 7,380 | 620 |
| 75° (24°) | 9,450 | 830 | 9,150 | 800 | 8,940 | 780 |
| 85° (29°) | 11,650 | 950 | 11,050 | 910 | 10,500 | 860 |
| 95° (35°) | 13,000 | 1,080 | 12,200 | 1,000 | 11,500 | 960 |
| 105° (41°) | 11,700 | 1,120 | 11,100 | 1,060 | 10,600 | 1,010 |
| 115° (46°) | 10,060 | 1,050 | 9,600 | 990 | 9,150 | 930 |

Capacity and power usage are measured under the assumption of indoor humidity of 46%

Haier Next Gen Arctic Series Submittal

12000 BTU/HR WALL MOUNTED INVERTER DRIVEN HEAT PUMP SYSTEM 1U12EH2VHD / AW12EH2VHD

Job Name: _____

Purchaser: _____

Submitted To: _____

Construction: _____

Reference: _____

Approval: _____

Date: _____

Submitted By: _____

Unit: _____

Drawing #: _____



Accessories

Remote Controller

Ships with YR-HQ

Wired Controller

Compatible with wired controllers YR-E17, YR-E16B, and QACT17A.

Wind Baffle

Uses wind baffle QAWB37A

Built-in Features

- WK-B wired controller adapter
- WiFi
- Occupancy sensor



GE APPLIANCES
a Haier company

For more information visit us:
www.Haierductless.com
www.Haierductlesshelp.com

Electrical Requirement

| | |
|-------------------------------|--------------------------|
| Power Supply | 208/230V, 1 Phase, 60 HZ |
| Operating Voltage Range | 187~253 VAC |
| Recommended Fuse/Breaker Size | 20A |
| MCA | 14A |

Connecting cable to indoor units must be 14/4 AWG unshielded stranded copper. Cable must be ran continuous, without splicing.

Operating Range

| | |
|---------|---------------------|
| Cooling | 14~115°F (-10~46°C) |
| Heating | -31~75°F (-35~24°C) |

Cooling Performance

| | |
|------------------------|------------------|
| Rated Cooling Capacity | 12,000 BTU |
| Cooling Capacity Range | 3,100~15,000 BTU |
| Rated Power input | 1,400 W |
| SEER | 27.0 |
| EER | 15.0 |
| Moisture Removal | 3.4 Pt./h |

Heating Performance

| | |
|------------------------|------------------|
| Rated Heating Capacity | 14,500 BTU |
| Heating Capacity Range | 3,100~22,000 BTU |
| Rated Power Input | 845 W |
| HSPF | 13.0 |

Pipe Length

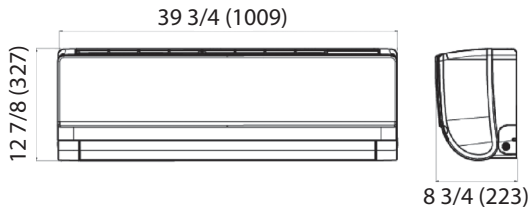
| | |
|--------------------------------|------------------------------------|
| Minimum Pipe Length | 6 ft |
| Maximum Pipe Length | 50 ft |
| Maximum Pipe Height Difference | 33 ft |
| Flare Connection | 1/4" (Discharge) 1/2" (Suction) |



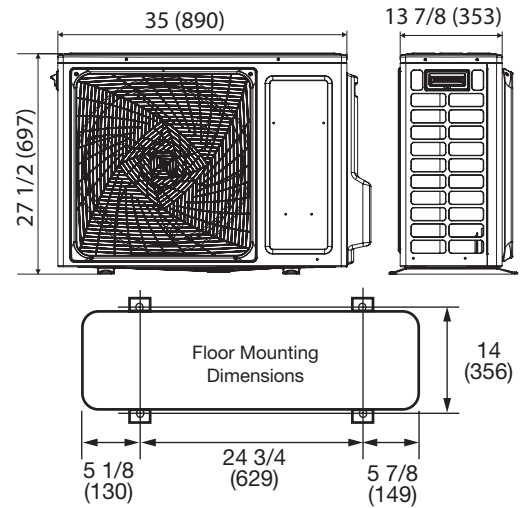
Haier Next Gen Arctic Series Submittal

12000 BTU/HR WALL MOUNTED INVERTER DRIVEN HEAT PUMP SYSTEM 1U12EH2VHD / AW12EH2VHD

| Indoor Unit | |
|---|---|
| Uncrated Dimension (HxWxD) | 12 7/8 x 39 3/4 x 8 3/4 in (327 x 1009 x 223 mm) |
| Crated (HxWxD) | 16 x 42 3/4 x 11 5/8 in (405 x 1085 x 296 mm) |
| Airflow CFM (Turbo/High/Med/Low/Quiet) | 597/524/430/344/324 |
| Indoor Sound Level dB (Turbo/High/Med/Low/Quiet) | 47/41/38/35/29 |
| Motor Rating (HP) | 0.04 |
| Heat Exchanger Fin Type | Blue Fin |
| Weight (Ship/Net) | 35.7/27.8 lbs |



| Outdoor Unit | |
|----------------------------|--|
| Compressor | DC inverter Driven Rotary |
| Uncrated Dimension (HxWxD) | 27 1/2 x 35 x 13 7/8 in (697 x 890 x 353 mm) |
| Crated (HxWxD) | 31 1/2 x 41 1/8 x 18 1/8 in (800 x 1046 x 460 mm) |
| Outdoor Sound Rating dB | 54 |
| Heat Exchanger Fin Type | Blue Fin |
| Weight (Ship/Net) | 124.8/107.6 lbs |
| Factory Refrigerant Charge | R-410A (62.1 oz) |



Heating Capacity Data

| Outdoor Air Temp DB | Indoor Set Temperature | | | | | |
|---------------------|----------------------------------|-----------------|------------------------------|-----------------|------------------------------|-----------------|
| | 60°F (16°C) | | 70°F (21°C) | | 77°F (25°C) | |
| | Maximum Heating Capacity (Btu/h) | Power Usage (w) | Max Heating Capacity (Btu/h) | Power Usage (w) | Max Heating Capacity (Btu/h) | Power Usage (w) |
| -31° (-35°) | 5,150 | 1,900 | 5,400 | 1,950 | 5,500 | 2,020 |
| -22° (-30°) | 11,850 | 1,980 | 12,400 | 2,030 | 12,650 | 2,140 |
| -15° (-26°) | 13,900 | 2,190 | 14,500 | 2,280 | 14,800 | 2,340 |
| -4° (-20°) | 14,850 | 2,770 | 15,500 | 2,840 | 15,800 | 2,910 |
| 5° (-15°) | 16,350 | 2,080 | 17,000 | 2,160 | 17,400 | 2,200 |
| 17° (-8°) | 18,500 | 1,560 | 19,300 | 1,690 | 19,700 | 1,760 |
| 47° (8°) | 22,100 | 1,520 | 23,000 | 1,600 | 23,450 | 1,670 |

Capacity and power usage are measured under the assumption of indoor humidity of 46%

Cooling Capacity Data

| Outdoor Air Temp DB | Indoor Set Temperature | | | | | |
|---------------------|------------------------|-----------------|------------------------|-----------------|------------------------|-----------------|
| | 70°F (21°C) | | 75°F (24°C) | | 80°F (27°C) | |
| | Total Capacity (Btu/h) | Power Usage (w) | Total Capacity (Btu/h) | Power Usage (w) | Total Capacity (Btu/h) | Power Usage (w) |
| 14° (-10°) | 7,300 | 530 | 450 | 7,050 | 6,650 | 420 |
| 65° (18°) | 9,600 | 980 | 9,250 | 930 | 8,750 | 880 |
| 75° (24°) | 10,650 | 1,030 | 10,350 | 990 | 10,000 | 950 |
| 85° (29°) | 12,250 | 1,210 | 12,450 | 1,170 | 11,650 | 1,130 |
| 95° (35°) | 14,000 | 1,500 | 13,300 | 1,460 | 12,650 | 1,400 |
| 105° (41°) | 12,750 | 1,550 | 12,150 | 1,490 | 11,600 | 1,410 |
| 115° (46°) | 10,650 | 1,410 | 10,150 | 1,380 | 9,650 | 1,320 |

Capacity and power usage are measured under the assumption of indoor humidity of 46%

Haier Next Gen Arctic Series Submittal

18000 BTU/HR WALL MOUNTED INVERTER DRIVEN HEAT PUMP SYSTEM 1U18EH2VHD / AW18EH2VHD

Job Name: _____

Purchaser: _____

Submitted To: _____

Construction: _____

Reference: _____

Approval: _____

Date: _____

Submitted By: _____

Unit: _____

Drawing #: _____



Accessories

Remote Controller

Ships with YR-HQ

Wired Controller

Compatible with wired controllers YR-E17, YR-E16B, and QACT17A.

Wind Baffle

Uses wind baffle QAWB45A

Built-in Features

- WK-B wired controller adapter
- WiFi
- Occupancy sensor



GE APPLIANCES
a Haier company

For more information visit us:
www.Haierductless.com
www.Haierductlesshelp.com

Electrical Requirement

| | |
|-------------------------------|--------------------------|
| Power Supply | 208/230V, 1 Phase, 60 HZ |
| Operating Voltage Range | 187~253 VAC |
| Recommended Fuse/Breaker Size | 30A |
| MCA | 20A |

Connecting cable to indoor units must be 14/4 AWG unshielded stranded copper. Cable must be ran continuous, without splicing.

Operating Range

| | |
|---------|---------------------|
| Cooling | 14~115°F (-10~46°C) |
| Heating | -31~75°F (-35~24°C) |

Cooling Performance

| | |
|------------------------|------------------|
| Rated Cooling Capacity | 18,000 BTU |
| Cooling Capacity Range | 8,500~21,000 BTU |
| Rated Power input | 1,358 W |
| SEER | 23.0 |
| EER | 13.0 |
| Moisture Removal | 4.2 Pt./h |

Heating Performance

| | |
|------------------------|------------------|
| Rated Heating Capacity | 20,000 BTU |
| Heating Capacity Range | 8,700~27,000 BTU |
| Rated Power Input | 1,920 W |
| HSPF | 12.0 |

Pipe Length

| | |
|--------------------------------|------------------------------------|
| Minimum Pipe Length | 6 ft |
| Maximum Pipe Length | 83 ft |
| Maximum Pipe Height Difference | 50 ft |
| Flare Connection | 1/4" (Discharge) 1/2" (Suction) |

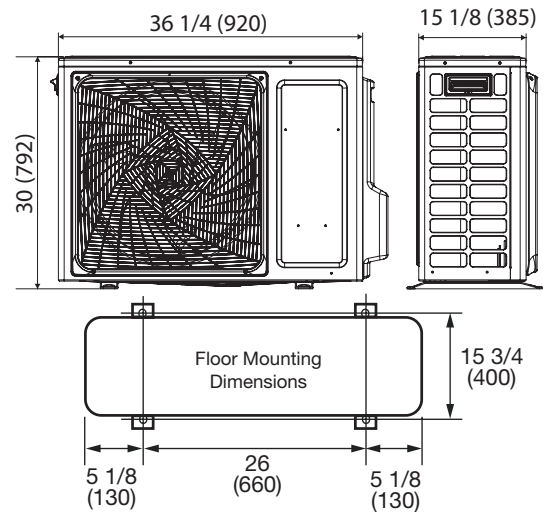
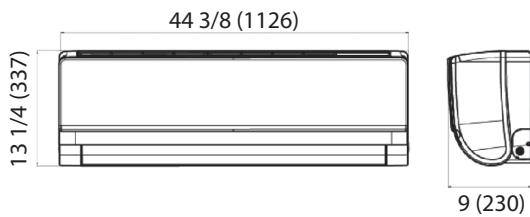


Haier Next Gen Arctic Series Submittal

18000 BTU/HR WALL MOUNTED INVERTER DRIVEN HEAT PUMP SYSTEM 1U18EH2VHD / AW18EH2VHD

| Indoor Unit | |
|---|--|
| Uncrated Dimension (HxWxD) | 13 1/4 x 44 3/8 x 9 in (337 x 1126 x 230 mm) |
| Crated (HxWxD) | 16 1/2 x 47 1/2 x 13 1/2 in (418 x 1206 x 342 mm) |
| Airflow CFM (Turbo/High/Med/Low/Quiet) | 636/541/436/330/259 |
| Indoor Sound Level dB (Turbo/High/Med/Low/Quiet) | 47/41/38/35/29 |
| Motor Rating (HP) | 0.07 |
| Heat Exchanger Fin Type | Blue Fin |
| Weight (Ship/Net) | 45.2/36.6 lbs |

| Outdoor Unit | |
|----------------------------|--|
| Compressor | DC inverter Driven Rotary |
| Uncrated Dimension (HxWxD) | 30 x 36 1/4 x 15 1/8 in 762 x 920 x 385 mm |
| Crated (HxWxD) | 34 x 42 3/4 x 19 1/8 in (863 x 1085 x 487 mm) |
| Outdoor Sound Rating dB | 52 |
| Heat Exchanger Fin Type | Blue Fin |
| Weight (Ship/Net) | 154.3/133.4 lbs |
| Factory Refrigerant Charge | R-410A (82.9 oz) |



Heating Capacity Data

| Outdoor Air Temp DB | Indoor Set Temperature | | | | | |
|---------------------|----------------------------------|-----------------|------------------------------|-----------------|------------------------------|-----------------|
| | 60°F (16°C) | | 70°F (21°C) | | 77°F (25°C) | |
| | Maximum Heating Capacity (Btu/h) | Power Usage (w) | Max Heating Capacity (Btu/h) | Power Usage (w) | Max Heating Capacity (Btu/h) | Power Usage (w) |
| -31° (-35°) | 7,050 | 3,010 | 7,400 | 3,070 | 7,500 | 3,310 |
| -22° (-30°) | 16,450 | 2,870 | 17,200 | 2,950 | 17,450 | 3,200 |
| -15° (-26°) | 19,150 | 3,580 | 20,000 | 3,760 | 20,300 | 3,820 |
| -4° (-20°) | 21,000 | 3,880 | 22,000 | 3,980 | 22,450 | 4,010 |
| 5° (-15°) | 23,950 | 3,150 | 25,000 | 3,230 | 25,400 | 3,260 |
| 17° (-8°) | 20,110 | 2,260 | 21,000 | 2,320 | 21,450 | 2,360 |
| 47° (8°) | 24,950 | 2,490 | 26,000 | 2,580 | 26,500 | 2,640 |

Capacity and power usage are measured under the assumption of indoor humidity of 46%

Cooling Capacity Data

| Outdoor Air Temp DB | Indoor Set Temperature | | | | | |
|---------------------|------------------------|-----------------|------------------------|-----------------|------------------------|-----------------|
| | 70°F (21°C) | | 75°F (24°C) | | 80°F (27°C) | |
| | Total Capacity (Btu/h) | Power Usage (w) | Total Capacity (Btu/h) | Power Usage (w) | Total Capacity (Btu/h) | Power Usage (w) |
| 14° (-10°) | 17,800 | 1,490 | 17,000 | 1,420 | 16,650 | 1,390 |
| 65° (18°) | 15,300 | 1,010 | 14,600 | 950 | 14,300 | 890 |
| 75° (24°) | 18,000 | 1,260 | 17,200 | 1,210 | 16,400 | 1,160 |
| 85° (29°) | 21,000 | 1,630 | 20,000 | 1,570 | 19,100 | 1,510 |
| 95° (35°) | 23,000 | 1,860 | 21,850 | 1,800 | 20,850 | 1,740 |
| 105° (41°) | 20,750 | 1,740 | 19,750 | 1,680 | 18,650 | 1,620 |
| 115° (46°) | 17,600 | 1,670 | 16,700 | 1,590 | 15,900 | 1,520 |

Capacity and power usage are measured under the assumption of indoor humidity of 46%