



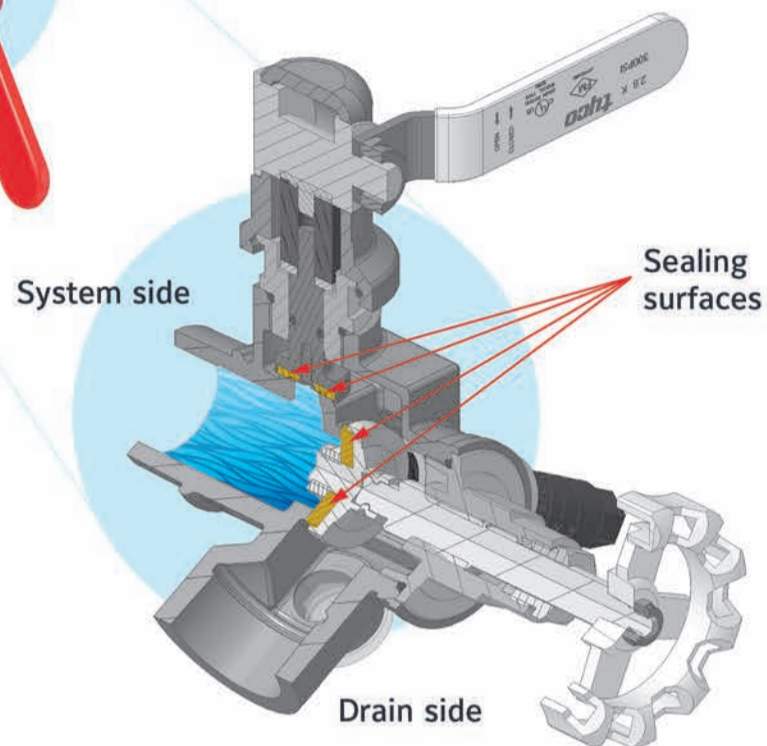
Model RM-2 Riser Manifold

Relief Valve

- Visible pressure reading makes setting simple
- Adjustment range of 100-310 psi
- Relieves to drain

TD-2 Test and Drain Valve

- Linear shut-off provides leak prevention
- Integral pressure relief
- Self-cleaning sight glass
- 2.8K & 4.8K test orifice



Flexibility

- Coupling assembly enables components to be rotated to fit an installation
- Can be installed vertically or horizontally

Inside the TD-2 Ultimate Sealing Design

- TD-2 test and drain valve reduces leak risk with unique design
- Utilizes globe style shut-off valve
- Flat valve seat creates a linear shut off

RM-2 Riser Manifold Product Highlights:

Includes:

- TD-2 Test and Drain Valve
- CV-1 Check Valve
- Flow switch
- BFV-300 Butterfly Valve

Technical Details:

- Rate to 310 psi
- Assembled with UL Listed and FM Approved components