




Plumbing · Heating · Gas · Industrial · Actuation · Hydraulics



# Raise Your Standards

- IAPMO  Certified - NSF-372
-   Approved
- 100% Tested in the USA
- Stainless Steel Ball and Stem
- Blow-out Proof Stem
- Gland Follower and Single O-ring Seal
- Rubber Lock Washer
- 1/4" - 4" Threaded and Sweat

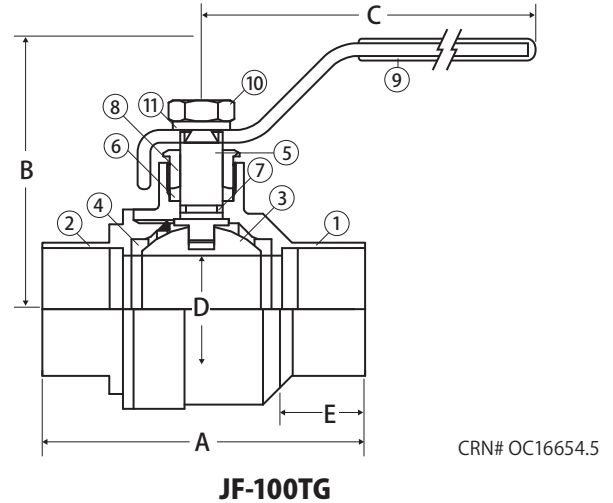
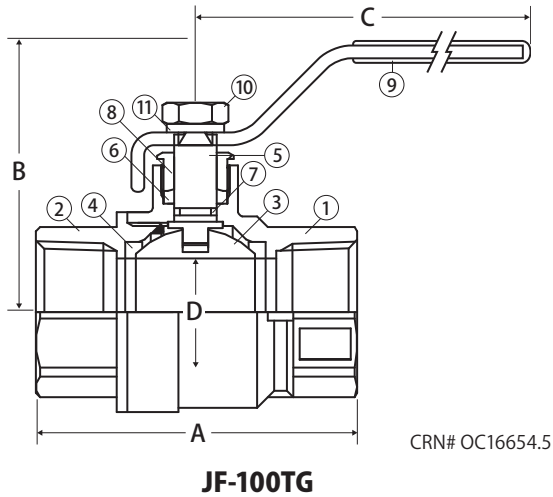


[www.jomarvalve.com](http://www.jomarvalve.com)

# Lead Free Brass Ball Valve



**2 Piece • Full Port • Threaded and Solder Connections • 600 WOG**  
**• Stainless Steel Ball and Stem**



## Features

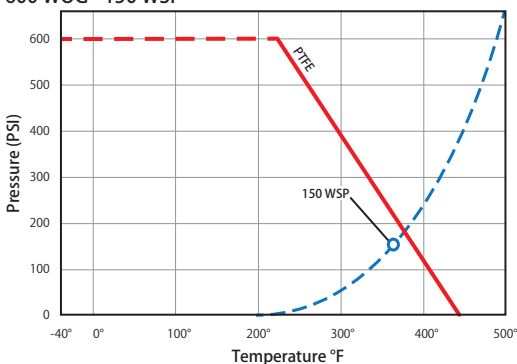
- Gland follower and single o-ring stem design
- Blow-out proof stem
- Stainless steel ball and stem
- 100% leak tested
- Wetted surfaces contain less than .25% lead content

## Approvals

- UL Listed up to 175 PSI (1/4" - 2")
  - MHKZ - Manual valves
  - YRPV - Gas shut-off valves
- IAPMO Certified
  - NSF 61-8
  - NSF 372
  - Uniform Plumbing Code (cUPC)
    - IAPMO/ANSI Z1157-2014
    - NSF/ANSI 14-2014
- CSA Certified (Threaded only)
  - CGA 3.16 (125 PSIG) (1/4" - 2")
  - ANSI Z21.15 (.5 PSIG) (1/4" - 2")
  - CGA CR91 (5 PSIG) (1/4" - 2")
  - ASME B16.44 (5 PSIG) (1/4" - 2")
  - ASME B16.33 (125PSIG) (1/2" - 2")
- MSS SP-110

## Valve Seat Rating

600 WOG - 150 WSP



## Material Specifications

No.	Part	Materials
1	Body	Lead Free Brass - C46400
2	End Connection	Lead Free Brass - C46400
3	Ball	304 Stainless Steel
4	Seat (2)	PTFE
5	Stem	304 Stainless Steel
6	Packing	PTFE
7	Stem O-ring	Buna-N
8	Packing Gland	Lead Free Brass - C46400
9	Handle	Steel - Chrome Plated
10	Handle Nut	Steel - Chrome Plated
11	Lock Washer	Steel - Chrome Plated

Part No.	Size	Shipping			Dimensions					
		Case Qty	Carton Qty	Case Weight	A	B	C	D	E	
<b>Threaded</b>										
100-101SSG	1/4"	120	10	40	1.73	1.69	3.35	0.39	-	
100-102SSG	3/8"	120	10	40	1.73	1.69	3.35	0.39	-	
100-103SSG	1/2"	100	10	50	2.28	1.81	3.35	0.59	-	
100-104SSG	3/4"	80	10	67	2.51	2.36	4.29	0.75	-	
100-105SSG	1"	48	8	58	2.97	2.52	4.29	0.98	-	
100-106SSG	1-1/4"	36	4	68	3.45	2.52	5.63	1.26	-	
100-107SSG	1-1/2"	24	2	61	3.87	2.72	5.63	1.57	-	
100-108SSG	2"	12	3	44	4.29	3.03	5.63	1.97	-	
100-109SSG	2-1/2"	6	1	49	5.59	4.25	7.76	2.52	-	
100-110SSG	3"	6	1	69	6.34	4.92	8.37	2.95	-	
100-111SSG	4"	2	1	40	7.83	5.85	9.25	3.90	-	
<b>Solder</b>										
100-113SSG	1/2"	100	10	45	2.17	1.81	3.35	0.59	0.50	
100-114SSG	3/4"	80	10	61	2.80	2.36	4.29	0.75	0.75	
100-115SSG	1"	48	8	53	3.27	2.52	4.29	0.98	0.86	
100-116SSG	1-1/4"	36	4	68	4.10	2.52	5.63	1.26	1.08	
100-117SSG	1-1/2"	24	2	62	4.33	2.80	5.63	1.57	0.98	
100-118SSG	2"	12	3	47	5.34	3.11	5.63	1.97	1.21	
100-119SSG	2-1/2"	6	1	44	6.39	4.25	7.76	2.52	1.48	
100-120SSG	3"	6	1	55	7.10	4.92	8.37	2.95	1.66	
100-121SSG	4"	2	1	35	9.56	5.85	9.25	3.90	2.22	