



A1 BODY

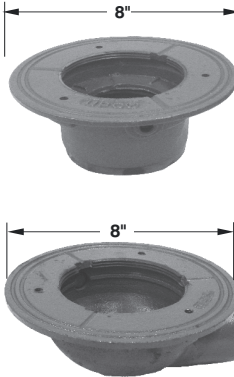
FOR: F1000, F1100, F1300, F1320 and F1420 Series floor drains, R1100 Series roof drains, C1000 and C1100 Series cleanouts

PART NO.	DESCRIPTION	PIPE SIZE	CARTON QTY.	CARTON WT. (LBS.)	LIST PRICE
A1-2,3,4NH-7	Cast Iron, no hub with 1/2" NPT trap seal primer tapping	2", 3", 4"	8/8/8	39/39/39	\$ 161.00
A1-5,6NH-7	Cast Iron, no hub with 1/2" NPT trap seal primer tapping	5", 6"	8/8	37/87	\$ 903.00
A1-2,3,4-30-7	PVC, Socket Weld with 1/2" NPT trap seal primer tapping	2", 3", 4"	12/10/8	8/7.5/6.5	\$ 161.00
A1-2,3,4-31-7	ABS, Socket Weld with 1/2" NPT trap seal primer tapping	2", 3", 4"	12/10/8	8/7.5/6.5	\$ 161.00
A1-2,3,4P-7	Cast Iron, push-on with 1/2" NPT trap seal primer tapping	2", 3", 4"	8/8/8	45/45/56	\$ 161.00
A1-6P-7	Cast Iron, push-on with 1/2" NPT trap seal primer tapping	6"	4	50	\$ 903.00
A1-2,3,4T-7	Cast Iron, threaded with 1/2" NPT trap seal primer tapping	2", 3", 4"	8/8/8	40/40/40	\$ 274.00
A1-5T-7	Cast Iron, threaded with 1/2" NPT trap seal primer tapping	5"	4	40	\$ 903.00
A1-2,3,4X-7	Cast Iron, inside caulk with 1/2" NPT trap seal primer tapping	2", 3", 4"	4/4/4	45/45/35	\$ 161.00
A1-5X-7	Cast Iron, inside caulk with 1/2" NPT trap seal primer tapping	5"	4	50	\$ 903.00
A1-2,3,4-28-7	Cast 304 SS, no hub with 1/2" NPT trap seal primer tapping	2", 3", 4"	NA	NA	\$ 1821.00
A1-2,3T-90-7	Cast Iron, threaded side outlet	2", 3"	NA	NA	\$ 462.00
A1-2,3-90-NH-7	Cast Iron, no hub side outlet	2", 3"	NA	NA	\$ 462.00
A1-4T-90-7	Cast Iron, threaded side outlet	4"	NA	NA	\$ 723.00
A1-4-90-NH-7	Cast Iron, no hub side outlet	4"	NA	NA	\$ 723.00

Find this part in MIFAB literature by this component icon:

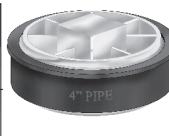
A1 No Hub side outlet body



A1-2, 3, 4T-90-90-7
A1 Threaded Side Outlet body

A5 BODY

PART NO.	DESCRIPTION	WEIGHT (LBS.)	LIST PRICE
A5-2,3,4,6-NH	Cast iron, no hub connection body	.10	\$ 349.00
A5-2,3,4,6X	Cast iron, inside caulk connection body	.10	\$ 349.00



PART NO.	DESCRIPTION	WEIGHT (LBS.)	LIST PRICE
C1442	"T-cone" style plastic closure plug w/ neoprene compression gasket, 2"	.50	\$ 501.00
C1443	"T-cone" style plastic closure plug w/ neoprene compression gasket, 3"	.75	\$ 501.00
C1444	"T-cone" style plastic closure plug w/ neoprene compression gasket, 4"	1.00	\$ 501.00

Note: for use in No Hub and Plastic Socket outlet bodies only.

A2 BODY

FOR: F1330C, F1340, F1360, F1430C, F1440, Series Floor Drains, R1200 Series Roof Drains

PART NO.	DESCRIPTION	PIPE SIZE	WEIGHT (LBS.)	LIST PRICE
A2-2,3,4NH-7	Cast iron, no hub w/ 1/2" NPT trap primer tapping	2", 3", 4"	15.00	\$ 442.00
A2-5,6NH-7	Cast iron, no hub w/ 1/2" NPT trap primer tapping	5", 6"	15.00	\$ 859.00
A2-8NH-7	Cast iron, no hub w/ 1/2" NPT trap primer tapping	8"	18.00	\$ 1274.00
A2-2,3,4-30-7	PVC, Socket Weld w/ 1/2" NPT trap primer tapping	2", 3", 4"	14.00	\$ 442.00
A2-2,3,4-31-7	ABS, Socket Weld w/ 1/2" NPT trap primer tapping	2", 3", 4"	14.00	\$ 442.00
A2-2,3,4P-7	Cast iron, push-on w/ 1/2" NPT trap primer tapping	2", 3", 4"	15.00	\$ 442.00
A2-6P-7	Cast iron, push-on w/ 1/2" NPT trap primer tapping	6"	15.00	\$ 859.00
A2-2,3,4T-7	Cast iron, threaded w/ 1/2" NPT trap primer tapping	2", 3", 4"	15.00	\$ 555.00
A2-5,6T-7	Cast iron, threaded w/ 1/2" NPT trap primer tapping	5", 6"	15.00	\$ 972.00
A2-2,3,4X-7	Cast iron, inside caulk w/ 1/2" NPT trap primer tapping	2", 3", 4"	15.00	\$ 442.00
A2-5,6X-7	Cast iron, inside caulk w/ 1/2" NPT trap primer tapping	5", 6"	15.00	\$ 859.00
A2-2,3,4T-90-7	Cast iron, with threaded side outlet	2", 3", 4"	20.00	\$ 947.00
A2-6T-90-7	Cast iron, with threaded side outlet	6"	23.00	\$ 1364.00
A2-2,3,4-90-NH-7	Cast iron, with no hub side outlet	2", 3", 4"	22.00	\$ 947.00

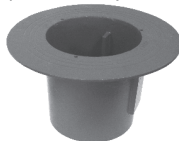
A3-PG-Transition Body Gasket

List Price A3-PG - Transition Body Gasket - \$85.00



A3 BODY

List price of A3 body is \$ 1028.00





For -11 and -13 coatings on A1 bodies, see page 37 for List Price adders. See page 127 for A2 bodies

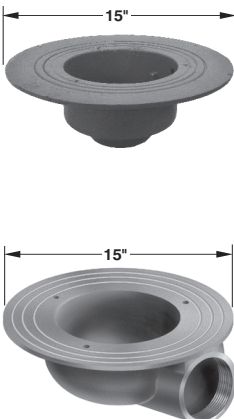
A8 BODY

PART NO.	DESCRIPTION	PIPE SIZE	WEIGHT (LBS.)	LIST PRICE
A8-2,3,4NH	Cast iron, no hub	2", 3", 4"	15.00	\$ 442.00
A8-5,6NH	Cast iron, no hub	5", 6"	15.00	\$ 859.00
A8-8NH	Cast iron, no hub	8"	18.00	\$ 1274.00
A8-10NH	Cast iron, no hub	10"	21.00	\$ 2026.00
A8-3,4X	Cast iron, inside caulk	3", 4"	15.00	\$ 442.00
A8-5,6X	Cast iron, inside caulk	5", 6"	15.00	\$ 859.00
A8-3,4P	Cast iron, push on	3", 4"	16.00	\$ 442.00
A8-6P	Cast iron, push on	6"	18.00	\$ 859.00
A8-4T	Cast iron, threaded	4"	15.00	\$ 555.00
A8-5,6T	Cast iron, threaded	5", 6"	17.00	\$ 972.00

Find this part in MIFAB literature by this component icon:

A2 No Hub side outlet body



A2-2, 3, 4T-90-7
A2 Threaded side outlet body

PART NO.	DESCRIPTION	WEIGHT (LBS.)	LIST PRICE
POG-2	2" Push-on neoprene gasket for all MIFAB A1, A2, A3, A4 bodies (PVC + Cl. pipe)	.75	\$ 44.00
POG-3	3" Push-on neoprene gasket for all MIFAB A1, A2, A3, A4 bodies (PVC + Cl. pipe)	1.00	\$ 44.00
POG-4	4" Push-on neoprene gasket for all MIFAB A1, A2, A3, A4 bodies (PVC + Cl. pipe)	1.25	\$ 44.00
POG-6	6" Push-on neoprene gasket for all MIFAB A1, A2, A3, A4 bodies (Cl. pipe) (Black color)	1.75	\$ 81.00
POG-6-PVC	6" Push-on neoprene gasket for all MIFAB A1, A2, A3, A4 bodies (PVC pipe only) (White color)	1.75	\$ 81.00

POG "PUSH ON GASKET"

Note: Push on gasket fits all plastic schedule 40 & service weight cast iron pipe. For 6" push on gasket, specify POG-6 or POG-6-PVC for either C.I. or PVC pipe. Add Suffix - PVC to model number when PVC gasket is required.

