

Pose 6030 Acrylic Drop-in Bathtub

Model number:

101456-000-001-100

Dimensions: 59.875" x 29.875" x 21.625"

Installation: Drop-in

Material: Acrylic



Standard Features:

- Rectangular shape bathtub with choices of two deck heights (3/8 or 2 in.) Please specify when ordering
- Drop-in or undermount 10 installation; model also available with integrated flange (IF) for alcove installation
- Textured floor
- Ample deck space for faucet installation
- Skirt with or without access panel available

Product characteristics:

- Made in North America
- Therapy System Available
- Textured Floor

Systems:

Whirlpool
Combined Whirlpool/Aeroeffect
Aeroeffect

Standard Colors:



White



Bone



Biscuit

Certifications

MAAX products adhere to one or more of the following certifications:



MAAX

Pose 6030 Acrylic Drop-in Bathtub

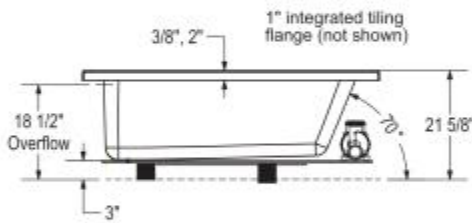
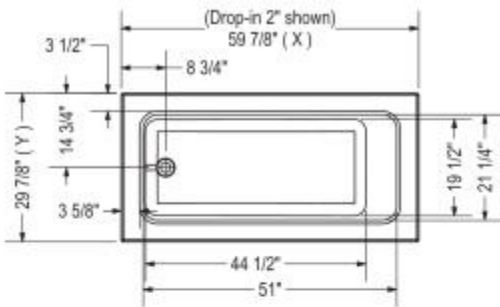
Model number:

101456-000-001-100

Dimensions: 59.875" x 29.875" x 21.625"

Installation: Drop-in

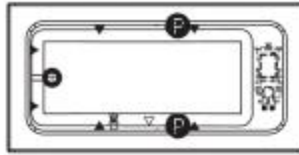
Material: Acrylic



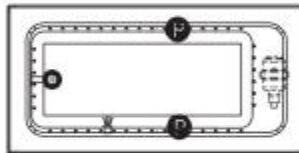
	DROP IN 2"	DROP IN 3/8"	ALCOVE / CORNER
X	59 7/8"	59 3/4"	59 5/8"
Y	29 7/8"	29 3/4"	29 7/8"

Wood support design may vary.
 Integrated tiling flange: 1" height X 1/4" thickness (not shown)
 Tiling flange position is determined by chosen configuration.
 All dimensions are approximate.
 Structure measurement must be verified against the unit to ensure proper fit.

WHIRLPOOL SYSTEM

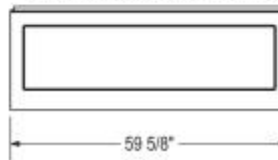


AIR SYSTEM



- : Indicates optional grab bar positioning
- (▲) : Indicates whirlpool jets positioning
- (●) : Indicates Aerofoel airjets positioning
- (▲) : Indicates suction positioning
- (⊗) : Indicates chromatherapy light positioning

APRON (alcove version only)



Dimensions

60 x 30 x 21 3/4 In.
 (1521 x 759 x 549 mm)

Water Capacity

52 gallons - 195 liters

Weight

57 lbs - 25 3/4 kg

Bathing Well

51 In. x 21 1/4 In.
 (1295 mm x 540 mm)

Deep Sump Height

18 In. - 457 mm

Deck Width

3.5 In. - 89 mm

Drain location:

End

Project:

Contractor:

Representative:

Date:

Tel:

Notes:

MAAX