

Pose 6032 Acrylic Drop-in Bathtub

Model number:

101457-000-001-100

Dimensions: 59.875" x 31.75" x 23.625"

Installation: Drop-in

Material: Acrylic



Standard Features:

- Rectangular shape bathtub; with choices of two deck heights (3/8 or 2 in.) Please specify when ordering;
- Drop-in or undermount 10 installation; model also available with integrated flange (IF) for alcove installation
- Textured floor
- Ample deck space for faucet installation
- Skirt with or without access panel available

Product characteristics:

- Made in North America
- Therapy System Available
- Textured Floor

Systems:

Whirlpool
Combined Whirlpool/Aeroeffect
Aeroeffect

Standard Colors:



White



Bone



Biscuit

Certifications

MAAX products adhere to one or more of the following certifications:



MAAX

Pose 6032 Acrylic Drop-in Bathtub

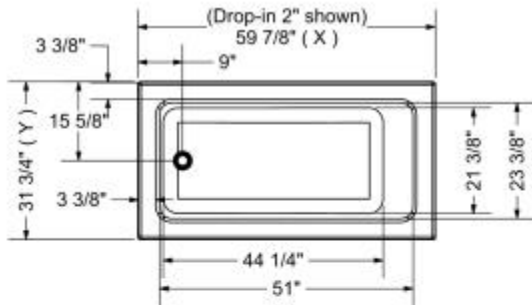
Model number:

101457-000-001-100

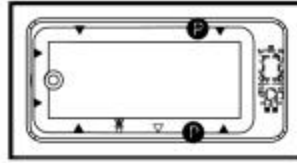
Dimensions: 59.875" x 31.75" x 23.625"

Installation: Drop-in

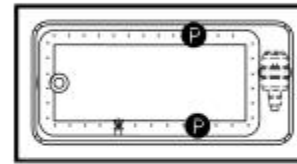
Material: Acrylic



WHIRLPOOL SYSTEM

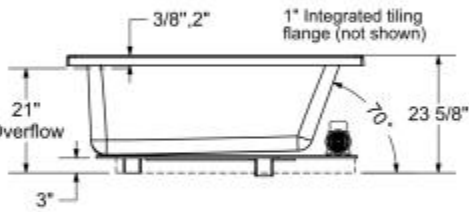


AIR SYSTEM



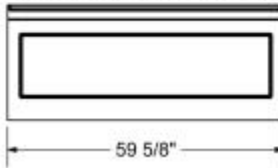
- : Indicates optional grab bar positioning
- (▲) : Indicates whirlpool jets positioning
- (△) : Indicates suction positioning
- (●) : Indicates airjets positioning
- (☒) : Indicates chromotherapy light positioning

Technical drawing is universal for all 6032 configurations. External dimension (X,Y) vary depending on configuration (see chart)



	DROP IN 2"	DROP IN 3/8"	ALCOVE / CORNER
X	59 7/8"	59 3/4"	59 5/8"
Y	31 3/4"	31 5/8"	31 5/8"

APRON (alcove version only)



Wood support design may vary.
Integrated tiling flange: 1" height X 1/4" thickness (not shown)
Tiling flange position is determined by chosen configuration.

All dimensions are approximate.
Structure measurement must be verified against the unit to ensure proper fit.

Dimensions

60 x 31 3/4 x 23 3/4 In.
(1521 x 806 x 600 mm)

Water Capacity

64 gallons - 241 liters

Weight

61 lbs - 27 3/4 kg

Bathing Well

51 1/4 In. x 23 3/4 In.
(1299 mm x 600 mm)

Deep Sump Height

20 In. - 508 mm

Deck Width

4 In. - 102 mm

Drain location:

End

Project:

Contractor:

Representative:

Date:

Tel:

Notes:

MAAX