

# Pose 6632 Acrylic Drop-in Bathtub

**Model number:**

101458-000-001-100

**Dimensions:** 66.25" x 31.75" x 23.5"

**Installation:** Drop-in

**Material:** Acrylic



## Standard Features:

- Rectangular shape bathtub; with choices of two deck heights (3/8 or 2 in.) Please specify when ordering
- Drop-in or undermount 10 installation; model also available with integrated flange (IF) for alcove installation
- Textured floor
- Ample deck space for faucet installation
- Skirt with or without access panel available

## Product characteristics:

- Made in North America
- Therapy System Available
- Textured Floor

## Systems:

Whirlpool  
Combined Whirlpool/Aeroeffect  
Aeroeffect

## Standard Colors:



White



Bone



Biscuit

## Certifications

MAAX products adhere to one or more of the following certifications:



# MAAX

# Pose 6632 Acrylic Drop-in Bathtub

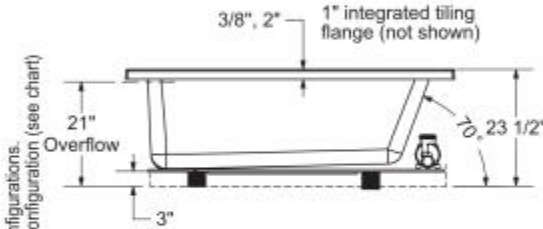
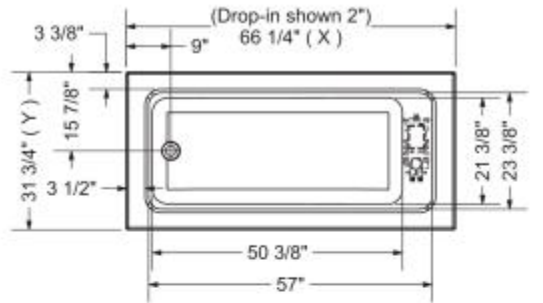
**Model number:**

101458-000-001-100

**Dimensions:** 66.25" x 31.75" x 23.5"

**Installation:** Drop-in

**Material:** Acrylic

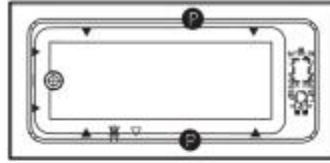


Technical drawing is universal for all 6632 configurations. External dimension (X,Y) vary depending on configuration (see chart)

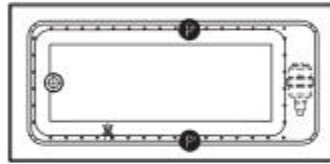
	DROP IN 2"	DROP IN 3/8"	ALCOVE / CORNER
X	66 1/4"	66"	65 3/4"
Y	31 3/4"	31 5/8"	31 5/8"

Wood support design may vary.  
Integrated tiling flange: 1" height X 1/4" thickness (not shown)  
Tiling flange position is determined by chosen configuration.  
All dimensions are approximate.  
Structure measurement must be verified against the unit to ensure proper fit.

WHIRLPOOL SYSTEM

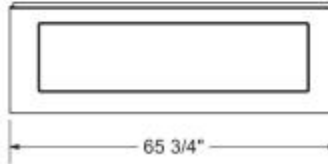


AIR SYSTEM



- : Indicates optional grab bar positioning
- ▲ : Indicates whirlpool jets positioning
- △ : Indicates suction positioning
- : Indicate airjets positioning
- : Indicates chromatherapy light positioning

APRON (alcove version only)



## Dimensions

66 1/4 x 31 3/4 x 23 1/2 In.  
(1683 x 806 x 597 mm)

## Water Capacity

72 gallons - 273 liters

## Weight

67 lbs - 30 1/2 kg

## Bathing Well

57 In. x 23 1/2 In.  
(1448 mm x 594 mm)

## Deep Sump Height

19.875 In. - 505 mm

## Deck Width

3.375 In. - 86 mm

## Drain location:

End

Project:

Contractor:

Representative:

Date:

Tel:

Notes:

# MAAX