

Pose 6636 Acrylic Drop-in Bathtub

Model number:

101459-000-001-100

Dimensions: 66.25" x 35.75" x 23.625"

Installation: Drop-in

Material: Acrylic



Standard Features:

- Rectangular shape bathtub with choices of two deck heights (3/8 or 2 in.) Please specify when ordering
- Drop-in or undermount 10 installation; model also available with integrated flange (IF) for alcove installation
- Textured floor
- Ample deck space for faucet installation
- Skirt with or without access panel available

Product characteristics:

- Made in North America
- Therapy System Available
- Textured Floor

Systems:

Whirlpool
Combined Whirlpool/Aeroeffect
Aeroeffect

Standard Colors:



White



Bone



Biscuit

Certifications

MAAX products adhere to one or more of the following certifications:



MAAX

Pose 6636 Acrylic Drop-in Bathtub

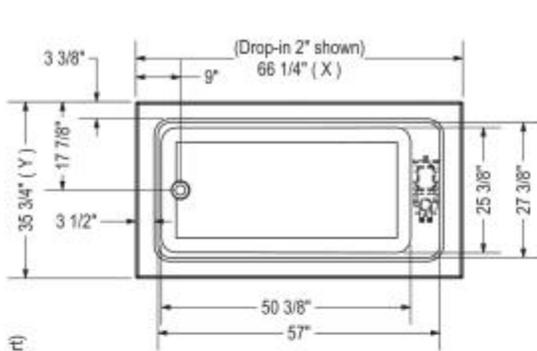
Model number:

101459-000-001-100

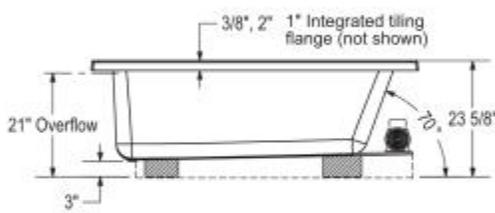
Dimensions: 66.25" x 35.75" x 23.625"

Installation: Drop-in

Material: Acrylic



Technical drawing is universal for all 6636 configurations. External dimension (X,Y) vary depending on configuration (see chart)

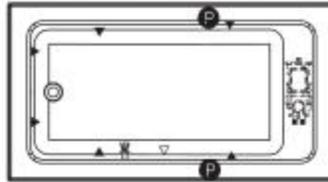


	DROP IN 2"	DROP IN 3/8"	ALCOVE / CORNER
X	66 1/4"	66"	65 3/4"
Y	35 3/4"	35 5/8"	35 5/8"

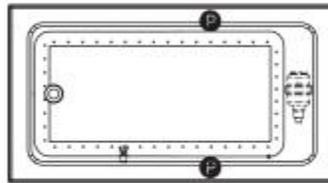
Wood support design may vary.
Integrated tiling flange: 1" height X 1/4" thickness (not shown)
Tiling flange position is determined by chosen configuration.

All dimensions are approximate.
Structure measurement must be verified against the unit to ensure proper fit.

WHIRLPOOL SYSTEM

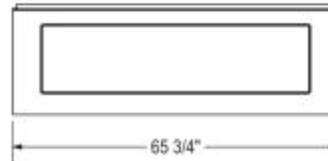


AIR SYSTEM



- : Indicates optional grab bar positioning
- (▲) : Indicates whirlpool jets positioning
- (△) : Indicates suction positioning
- (●) : Indicates airjets positioning
- (☒) : Indicates chromatherapy light positioning

APRON (alcove version only)



Dimensions

66 1/4 x 35 3/4 x 23 3/4 In.
(1683 x 908 x 600 mm)

Water Capacity

85 gallons - 323 liters

Weight

75 lbs - 34 kg

Bathing Well

57 In. x 27 1/2 In.
(1448 mm x 695 mm)

Deep Sump Height

19.625 In. - 498 mm

Deck Width

3.375 In. - 86 mm

Drain location:

End

Project:

Contractor:

Representative:

Date:

Tel:

Notes:

MAAX