

Rubix 6032 Acrylic Alcove Bathtub

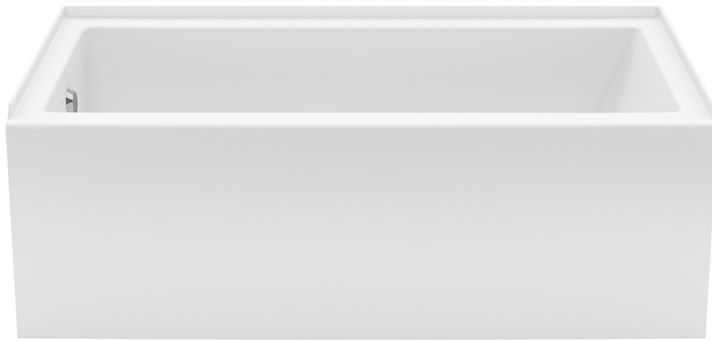
Model number:

105705-000-001-001

Dimensions: 59.75" x 32" x 18.375"

Installation: Alcove

Material: Acrylic



Standard Features:

- Rectangular shape bathtub in alcove installation
- Available in Above-the-Floor Rough (AFR) or not
- Right or left-hand drain
- Cubic design
- Integrated flat skirt and integrated tiling flange
- Compatible with U tile shower wall panels

Product characteristics:

- Made in North America
- Elegant Design
- Integrated Tiling Flange and Skirt

Standard Colors:



White



Bone



Biscuit

Certifications

MAAX products adhere to one or more of the following certifications:



MAAX

Rubix 6032 Acrylic Alcove Bathtub

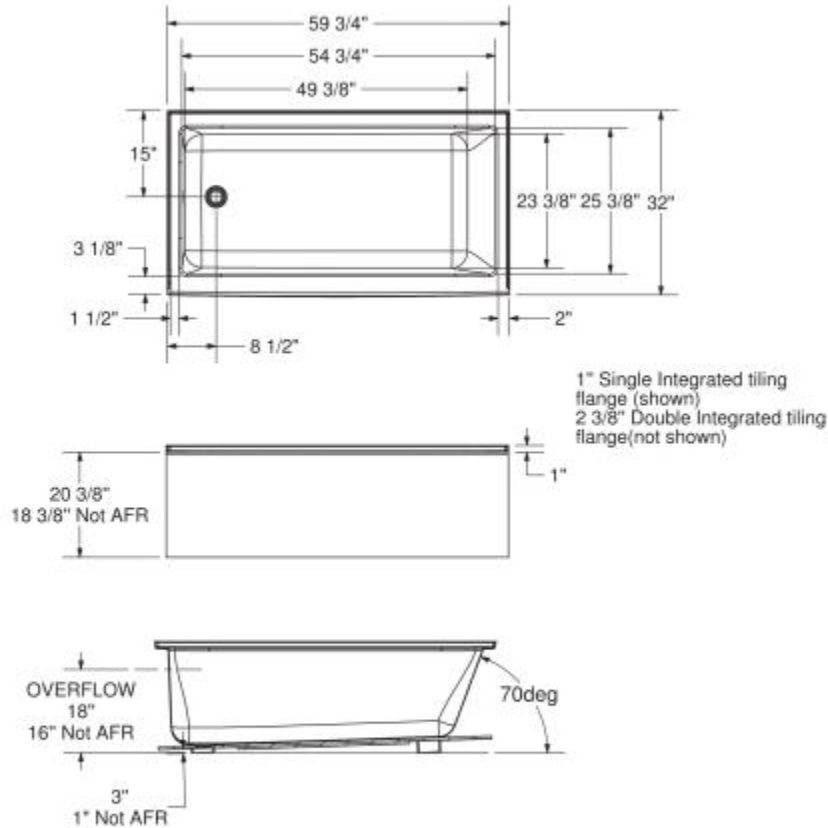
Model number:

105705-000-001-001

Dimensions: 59.75" x 32" x 18.375"

Installation: Alcove

Material: Acrylic



Wood support design may vary.
Single integrated tiling flange: 1" height x 1/4" thickness (shown)
All dimensions are approximate. Structure measurements must be verified against the unit to ensure proper fit.

Dimensions

59 3/4 x 32 x 18 1/2 In.
(1518 x 813 x 467 mm)

Water Capacity

59 gallons - 223 liters

Weight

80 lbs - 36 1/4 kg

Bathing Well

54 3/4 In. x 25 1/2 In.
(1391 mm x 645 mm)

Deep Sump Height

16.75 In. - 425 mm

Deck Width

3.125 In. - 79 mm

Drain location:

Left

Right

Project: _____

Contractor: _____

Representative: _____

Date: _____

Tel: _____

Notes: _____

MAAX