

Exhibit 6036 IFS Acrylic Alcove Bathtub

Model number:

106172-000-001-100

Dimensions: 59.875" x 36" x 18"

Installation: Alcove

Material: Acrylic

Standard Features:

- Rectangular shape bathtub in alcove installation
- Available in Above-the-Floor Rough (AFR) or not
- Minimalist look with discreet armrests and textured floor
- Integrated tiling flange
- When equipped with a system, the unit comes with an access panel

Product characteristics:

- Made in North America
- Integrated Armrest
- Integrated Tiling Flange and Skirt

Systems:

Whirlpool
Combined Whirlpool/Aeroeffect
Aeroeffect



Standard Colors:



White



Bone



Biscuit

Certifications

MAAX products adhere to one or more of the following certifications:



MAAX

Exhibit 6036 IFS Acrylic Alcove Bathtub

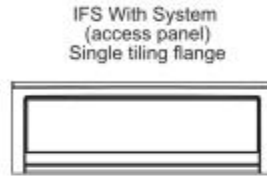
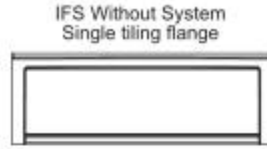
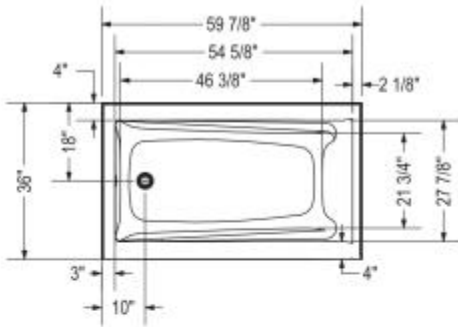
Model number:

106172-000-001-100

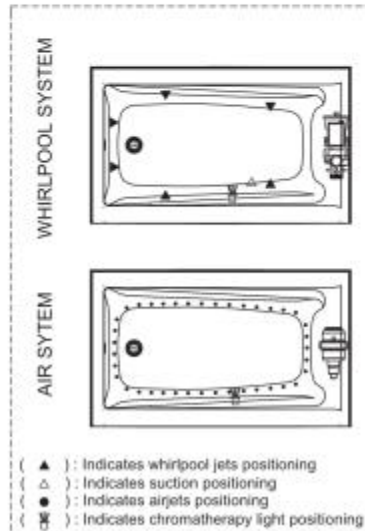
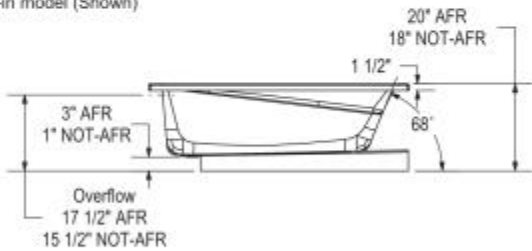
Dimensions: 59.875" x 36" x 18"

Installation: Alcove

Material: Acrylic



1" Single integrated tiling flange (not shown)
Drop-in model (Shown)



Technical drawing is universal for all Exhibit 6036 configurations.

Wood support design may vary.
Single Integrated tiling flange: 1" height x 1/4" thickness (not shown)

All dimensions are approximate.
Structure measurement must be verified against the unit to ensure proper fit.

Dimensions

60 x 36 x 18 In.
(1521 x 914 x 457 mm)

Water Capacity

56 gallons - 214 liters

Weight

80 lbs - 36 1/4 kg

Bathing Well

54 3/4 In. x 28 In.
(1387 mm x 708 mm)

Deep Sump Height

16.375 In. - 416 mm

Deck Width

4 In. - 102 mm

Drain location:

Left

Right

Project: _____

Contractor: _____

Representative: _____

Date: _____

Tel: _____

Notes: _____

MAAX