

# Exhibit 7236 IFS Acrylic Alcove Bathtub

**Model number:**

106183-000-001-100

**Dimensions:** 71.875" x 36" x 18"

**Installation:** Alcove

**Material:** Acrylic

## Standard Features:

- Rectangular shape bathtub in alcove installation
- Available in Above-the-Floor Rough (AFR) or not
- Minimalist look with discreet armrests and textured floor
- Integrated tiling flange
- When equipped with a system, the unit comes with an access panel

## Product characteristics:

- Made in North America
- Integrated Armrest
- Integrated Tiling Flange and Skirt

## Systems:

- Whirlpool
- Combined Whirlpool/Aeroeffect
- Aeroeffect



## Standard Colors:



White



Bone



Biscuit

## Certifications

MAAX products adhere to one or more of the following certifications:



# MAAX

# Exhibit 7236 IFS Acrylic Alcove Bathtub

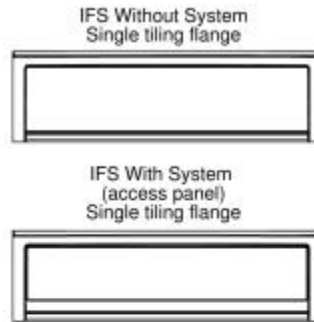
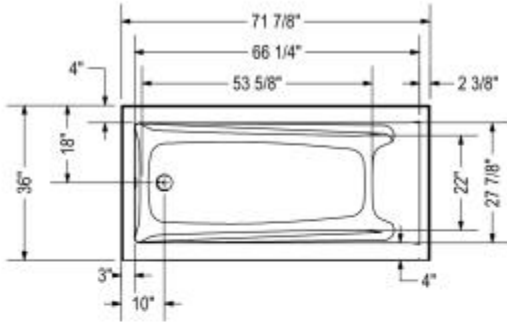
**Model number:**

106183-000-001-100

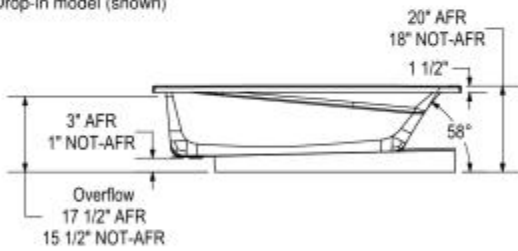
**Dimensions:** 71.875" x 36" x 18"

**Installation:** Alcove

**Material:** Acrylic



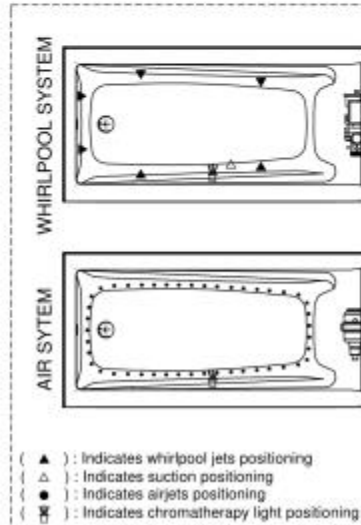
1" Single integrated tiling flange (not shown)  
Drop-in model (shown)



Technical drawing is universal for all Exhibit 7236 configurations.

Wood support design may vary.  
Single integrated tiling flange: 1" height x 1/4" thickness (not shown)

All dimensions are approximate.  
Structure measurement must be verified against the unit to ensure proper fit.



## Dimensions

72 x 36 x 18 In.  
(1826 x 914 x 457 mm)

## Water Capacity

64 gallons - 241 liters

## Weight

95 lbs - 43 kg

## Bathing Well

66 1/4 In. x 28 In.  
(1683 mm x 708 mm)

## Deep Sump Height

16.375 In. - 416 mm

## Deck Width

4 In. - 102 mm

## Drain location:

Left

Right

Project: \_\_\_\_\_

Contractor: \_\_\_\_\_

Representative: \_\_\_\_\_

Date: \_\_\_\_\_

Tel: \_\_\_\_\_

Notes: \_\_\_\_\_

# MAAX