

# Pose 6032 IF Acrylic Alcove Bathtub

**Model number:**

106201-000-001-111

**Dimensions:** 59.625" x 31.625" x 23.625"

**Installation:** Alcove

**Material:** Acrylic



## Standard Features:

- Rectangular shape bathtub; with choices of two deck heights (3/8 or 2 in.) Please specify when ordering 6
- Alcove installation with integrated tiling flange (IF); model also available for drop-in or undermount 10 installation
- Textured floor
- Ample deck space for faucet installation
- Skirt with or without access panel available

## Product characteristics:

- Integrated Tiling Flange
- Therapy System Available
- Textured Floor

## Systems:

- Whirlpool
- Combined Whirlpool/Aeroeffect
- Aeroeffect

## Standard Colors:



White



Bone



Biscuit

## Certifications

MAAX products adhere to one or more of the following certifications:



# MAAX

# Pose 6032 IF Acrylic Alcove Bathtub

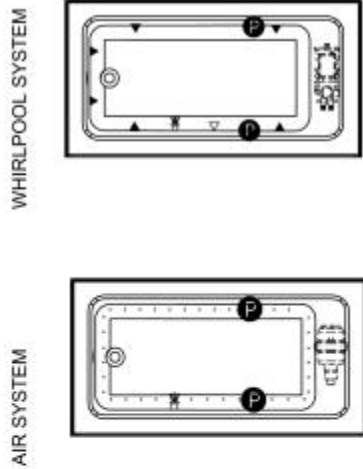
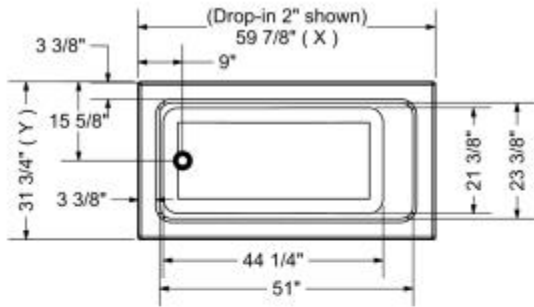
**Model number:**

106201-000-001-111

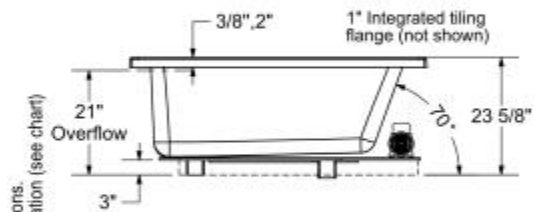
**Dimensions:** 59.625" x 31.625" x 23.625"

**Installation:** Alcove

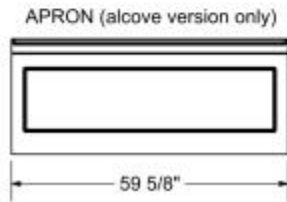
**Material:** Acrylic



- : Indicates optional grab bar positioning
- ( ▲ ) : Indicates whirlpool jets positioning
- ( △ ) : Indicates suction positioning
- ( ● ) : Indicates airjets positioning
- ( ☒ ) : Indicates chromatherapy light positioning



	DROP IN 2"	DROP IN 3/8"	ALCOVE / CORNER
X	59 7/8"	59 3/4"	59 5/8"
Y	31 3/4"	31 5/8"	31 5/8"



Technical drawing is universal for all 6032 configurations.  
 External dimension (X,Y) vary depending on configuration (see chart)  
 Wood support design may vary.  
 Integrated tiling flange: 1" height X 1/4" thickness (not shown)  
 Tiling flange position is determined by chosen configuration.  
 All dimensions are approximate.  
 Structure measurement must be verified against the unit to ensure proper fit.

## Dimensions

59 3/4 x 31 3/4 x 23 3/4 In.  
 (1514 x 803 x 600 mm)

## Water Capacity

64 gallons - 241 liters

## Weight

61 lbs - 27 3/4 kg

## Bathing Well

51 In. x 23 1/2 In.  
 (1295 mm x 594 mm)

## Deep Sump Height

20 In. - 508 mm

## Deck Width

3.375 In. - 86 mm

## Drain location:

Left

Right

Project: \_\_\_\_\_

Contractor: \_\_\_\_\_

Representative: \_\_\_\_\_

Date: \_\_\_\_\_

Tel: \_\_\_\_\_

Notes: \_\_\_\_\_

\_\_\_\_\_

\_\_\_\_\_