

# Pose 7236 IF Acrylic Alcove Bathtub

**Model number:**

106210-000-001-103

**Dimensions:** 71.5" x 35.75" x 23.625"

**Installation:** Alcove

**Material:** Acrylic



## Standard Features:

- Rectangular shape bathtub; with choices of two deck heights (3/8 or 2 in.) Please specify when ordering 6
- Alcove installation with integrated tiling flange (IF); model also available for drop-in or undermount 10 installation
- Textured floor
- Ample deck space for faucet installation
- Skirt with or without access panel available

## Product characteristics:

- Integrated Tiling Flange
- Therapy System Available
- Textured Floor

## Systems:

- Whirlpool
- Combined Whirlpool/Aeroeffect
- Aeroeffect

## Standard Colors:



White



Bone



Biscuit

## Certifications

MAAX products adhere to one or more of the following certifications:



# MAAX

# Pose 7236 IF Acrylic Alcove Bathtub

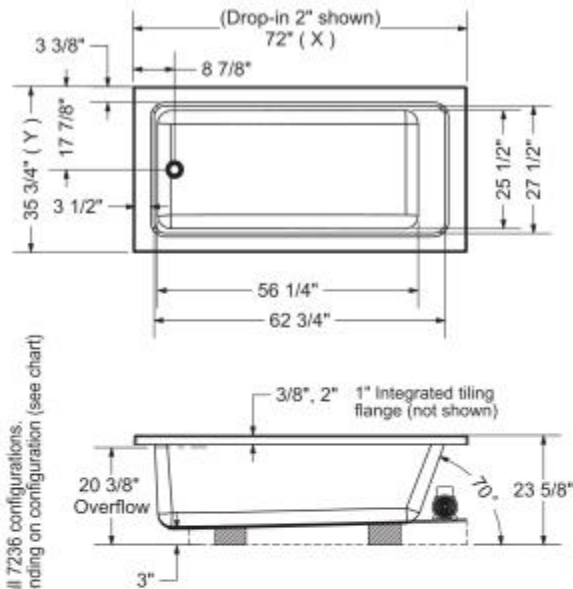
**Model number:**

106210-000-001-103

**Dimensions:** 71.5" x 35.75" x 23.625"

**Installation:** Alcove

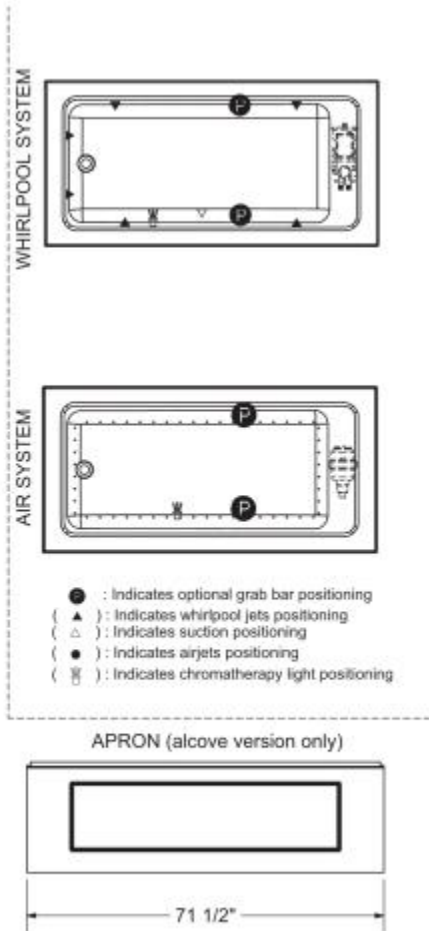
**Material:** Acrylic



Technical drawing is universal for all 7236 configurations. External dimension (X,Y) vary depending on configuration (see chart)

	DROP IN 2"	DROP IN 3/8"	ALCOVE / CORNER
X	72"	71 7/8"	71 1/2"
Y	35 3/4"	35 5/8"	35 3/8"

Wood support design may vary.  
Integrated tiling flange: 1" height X 1/4" thickness (not shown)  
Tiling flange position is determined by chosen configuration.  
All dimensions are approximate.  
Structure measurement must be verified against the unit to ensure proper fit.



## Dimensions

71 1/2 x 35 3/4 x 23 3/4 In.  
(1816 x 908 x 600 mm)

## Water Capacity

92 gallons - 350 liters

## Weight

82 lbs - 37 1/4 kg

## Bathing Well

62 3/4 In. x 27 1/2 In.  
(1594 mm x 699 mm)

## Deep Sump Height

19.5 In. - 495 mm

## Deck Width

3.375 In. - 86 mm

## Drain location:

Left

Right

Project:

Contractor:

Representative:

Date:

Tel:

Notes:

# MAAX