

Rubix Access 6030 Acrylic Alcove Bathtub

Model number:

106348-000-001-001

Dimensions: 59.875" x 30.125" x 14"

Installation: Alcove

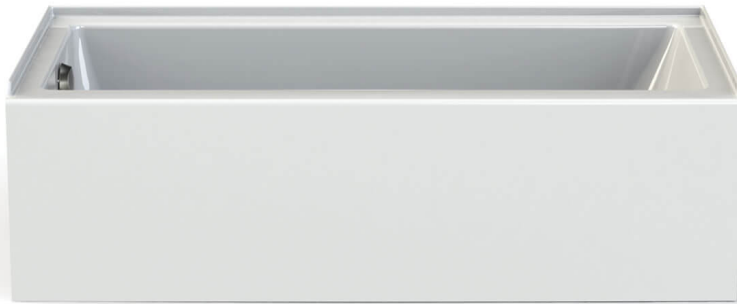
Material: Acrylic

Standard Features:

- Alcove bathtub with integrated flat skirt and tiling flange
- Available in Above-the-Floor Rough (AFR) or not
- Low deck height of 16 in. (AFR) or 14 in.
- Stabili-T anti-slip bottom meeting ADA, ANSI or CSA requirements
- Compliant with accessibility codes when properly installed
- Compatible with Utile wall panels

Product characteristics:

- Made in North America
- Integrated Tiling Flange
- Utile Compatible



Standard Colors:



White

Certifications

MAAX products adhere to one or more of the following certifications:



MAAX

Rubix Access 6030 Acrylic Alcove Bathtub

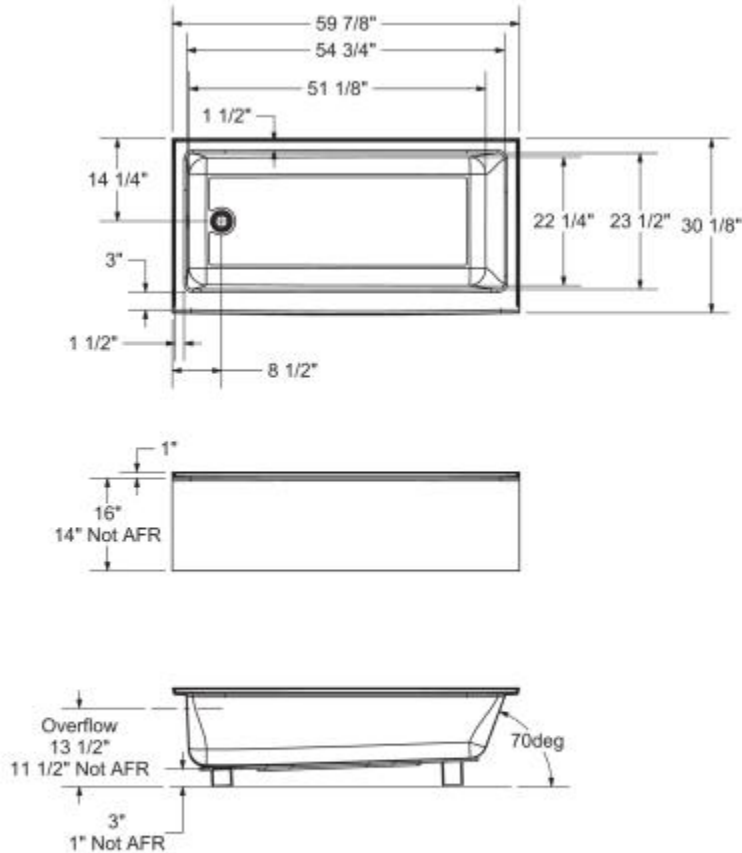
Model number:

106348-000-001-001

Dimensions: 59.875" x 30.125" x 14"

Installation: Alcove

Material: Acrylic



Wood support design may vary.
All dimensions are approximate. Structure measurements
must be verified against the unit to ensure proper fit.

Dimensions

60 x 30 1/4 x 14 In.
(1521 x 765 x 356 mm)

Water Capacity

35 gallons - 132 liters

Weight

75 lbs - 34 kg

Bathing Well

54 3/4 In. x 23 1/2 In.
(1391 mm x 594 mm)

Deep Sump Height

8.875 In. - 225 mm

Deck Width

3.125 In. - 79 mm

Drain location:

Left

Right

Project: _____

Contractor: _____

Representative: _____

Date: _____

Tel: _____

Notes: _____

MAAX