

# BV2430 Medicine Cabinet

**Model number:**

126528-801-084-000

**Dimensions:** 24" x 30"

**Installation:** Recessed

**Material:**



## Standard Features:

- Exclusive slide shelf system, Slide Edge®
- Shock-absorbing strip
- Six-way adjustable 170° hinge
- Three (BV2426, BV2430, BV3030) or six (BV3630) adjustable glass shelves 1/4 in. (6 mm) thick

## Frame Finish(es):



Chrome

## Glass Pattern(s):



Beveled Edge

## Certifications

MAAX products adhere to one or more of the following certifications:



# MAAX

# BV2430 Medicine Cabinet

**Model number:**

126528-801-084-000

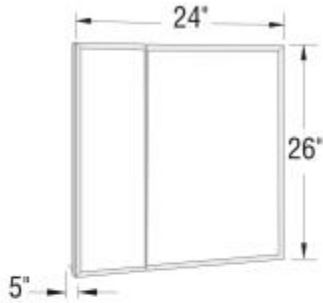
**Dimensions:** 24" x 30"

**Installation:** Recessed

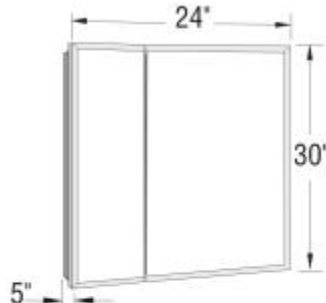
**Material:**

## Dimensions

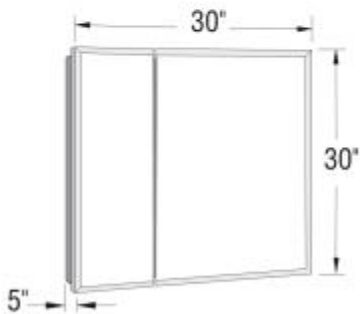
24 x 30 In.  
(610 x 743 mm)



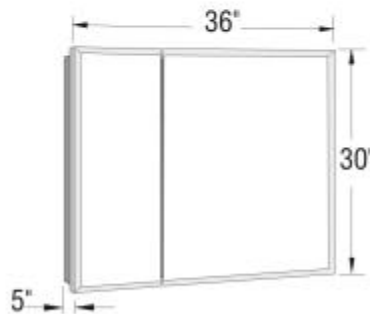
BV2426



BV2430



BV3030



BV3630

All dimensions are approximate. Structure measurements must be verified against the unit to ensure proper fit.

Project:

Contractor:

Representative:

Date:

Tel:

Notes:

# MAAX