

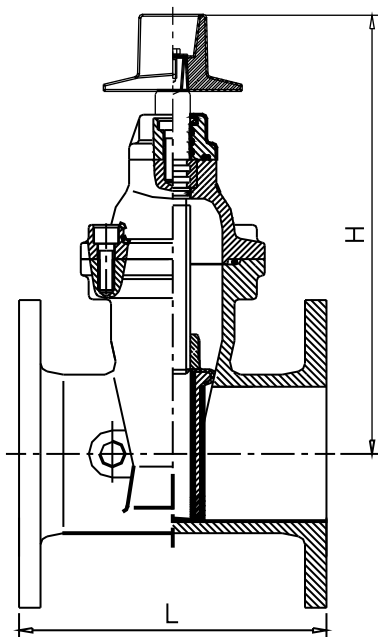
# NRS RESILIENT SEATED GATE VALVE MECHANICAL JOINT X MECHANICAL JOINT

MODEL LVNRSMJ



## GENERAL SPECIFICATIONS:

- Valves comply with AWWA C515-15 standard
- Non-rising stem, resilient seated (EDPM encapsulated wedge)
- Triple O-Ring seal
- Available with optional test plug on valve body (special order)
- Post indicator valves provided with universal "Indicator Post Plate"
- Mechanical joint ends to AWWA C153 /A21.53 standard
- Available open right, please specify
- Flanged ends to ANSI B16.1, Class 125
- UL Listed/FM Approved at 300 PSI water working pressure rating
- NSF-61 and NSF-372 Certified as lead-free for use in drinking water systems
- Temperature range: 33° F to 170° F
- Fusion bonded epoxy coated interior and Exterior to AWWA C550 standard
- Flanged valves available with handwheel or operating nut



DIMENSIONS (In.)						
SIZE	3	4	6	8	10	12
L	9½	10	11½	12½	14¾	14¾
H	11⅝	13¾	17 15/16	21 7/16	25 3/8	28 3/4
D		12	12	12	12	12
WT. (LBS.)	45	71	116	176	280	386

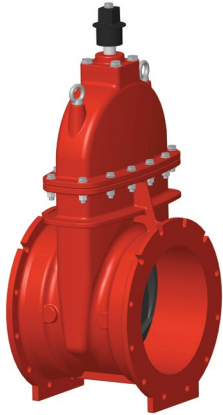
PART NAME	MATERIAL	ASTM. SPEC.
BODY	Ductile Iron	A536 65-45-12
WEDGE	Ductile Iron	EPDM Encapsulated
WEDGE NUT	Bronze	B62 C83600
STEM	Stainless Steel	AISI 304
BONNET	Ductile Iron	A536 65-45-12
GASKET	Rubber	EPDM
GLAND	Ductile Iron	A536 65-45-12
THRUST COLLAR	Bronze	B62 C83600
O-RING	Rubber	EPDM
POST FLANGE	Ductile Iron	A536 65-45-12
OPERATING NUT	Ductile Iron	A536 65-45-12
NPT PLUG	Bronze	Commercial
POST FLANGE	Bolt	Stainless Steel AISI 316
BONNET BOLT	Stainless Steel	AISI 304

PROJECT	APPROVAL STAMP
PROJECT:	<input type="checkbox"/> APPROVED
ADDRESS:	<input type="checkbox"/> APPROVED AS NOTED
ENGINEER:	<input type="checkbox"/> NOT APPROVED
SUBMITTAL DATA:	REMARKS:
NOTES 1:	
NOTES 2:	

# NRS RESILIENT SEATED GATE VALVE

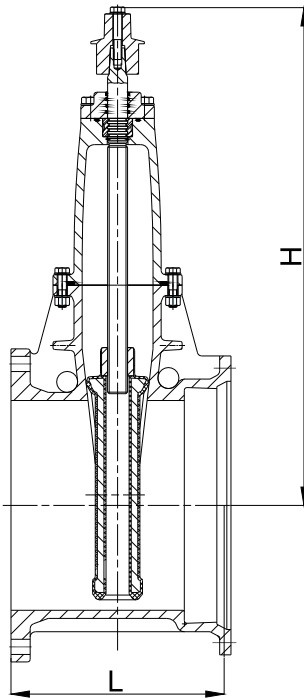
## MJ X MJ

### MODEL LVNRSMJL



#### GENERAL SPECIFICATIONS:

- Meets or exceeds the requirements of AWWA C515 Standard
- Full waterway
- 2" square operating nut
- Available open right, please specify
- Rubber fully encapsulated ductile iron wedge
- Triple O-Ring stem seal
- Flange and drilling comply with ASTM B16.1, Class 125
- Mechanical joint outlet complies with ANSI/AWWAC153/A21.53
- UL/ULC 262 Listed, FM 1120/1130 Approved
- Certificated to ANSI/NSF 61 & 372
- Temperature range: 33° F to 170° F
- Rated working pressure: 250 PSI for 14" to 18"  
200 PSI for 20" to 24"
- Fusion bonded epoxy coated interior and exterior to AWWA C550 standard



DIMENSIONS (In.)					
SIZE	14	16	18	20	24
L	17	17	18.7	18	20
H	35	37.6	42.3	45.6	51.6

PART NAME	MATERIAL	ASTM. SPEC.
Body	Ductile Iron	A536 65-45-12
Wedge	Ductile Iron	EPDM Encapsulated
Wedge Nut	Bronze	B148 C95200
Stem	Stainless Steel	A276 Type 304
Bonnet Gasket	Rubber EPDM	D2000
Bolt	Carbon Steel	A307 Class B
Washer	Stainless Steel	A276 Type 304
Bonnet	Ductile Iron	A536 Grade 65-45-12
O-Ring	Rubber NBR	D2000
Thrust Collar	Bronze	B148 C95200
Gland O-Ring	Rubber NBR	D2000
Stem Seal Ring	Rubber NBR	D2000
Scraper Seal	Rubber NBR	D2000
Bolt	Carbon Steel	A307 Class B
Gland	Ductile Iron	A536 Grade 65-45-12
Eyebolt	Carbon Steel	A307 Class B
Operating Nut	Ductile Iron	A536 Grade 65-45-12
Bolt	Carbon Steel	A307 Class B

PROJECT	APPROVAL STAMP
PROJECT:	<input type="checkbox"/> APPROVED
ADDRESS:	<input type="checkbox"/> APPROVED AS NOTED
ENGINEER:	<input type="checkbox"/> NOT APPROVED
SUBMITTAL DATA:	REMARKS:
NOTES 1:	
NOTES 2:	