

4-1/2" DIAL CONTRACTOR GAUGE LOWER MOUNT

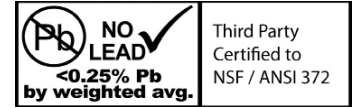
APPLICATION:

General purpose gauge, for potable water pumps & systems, these gauges are suitable for compressors, hydraulic presses, machinery, pneumatic equipment and motors, for most commercial air, water and steam services. To be used with fluid medium which does not clog connection or corrode copper alloy.

Not for use with oxygen, natural gas or propane.

CERTIFICATION:

- NSF/ANSI Standard 372 Certified (No Lead Series Only)



Third Party
Certified to
NSF / ANSI 372



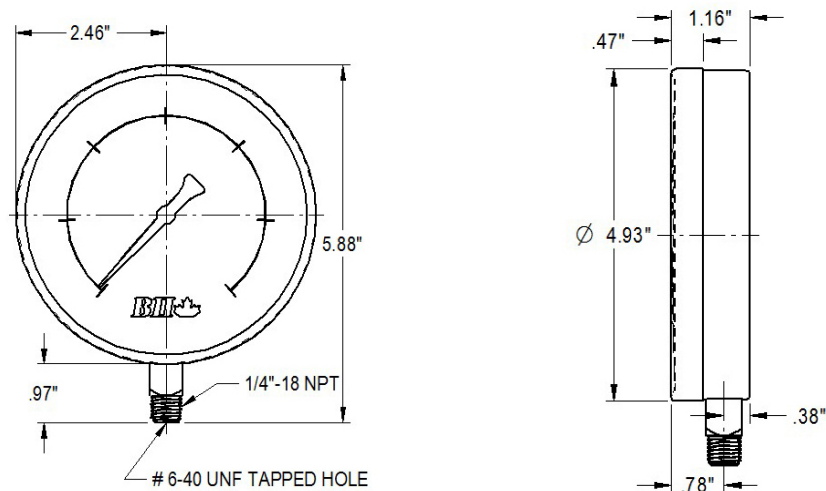
GAUGE SPECIFICATIONS	
Standard	ASME B40.1
Dial	4-1/2" (114mm) white aluminum dial
Case	304 Stainless Steel
Lens	Acrylic
Ring (Bezel)	304 Stainless Steel
Connection	Brass / No Lead Brass
Bourdon Tube	Brass
Fill Liquid	N/A
Movement	Brass / No Lead Brass
Pointer	Aluminum (Anodized Black)
Welding	Tin Solder
Working Pressure	Maximum 75% of Full Scale Value (F.S.V.)
Ambient Op. Temp.	-40°F to 140°F (-40°C to 60°C)
Media Op. Temp.	Max. 140°F (60°C)
Accuracy	+/- 1% Full Scale Value
Enclosure Rating	General Purpose
15 - 600 PSI	Tapped but restrictor screw not included

BOSHART
INDUSTRIES

25 Whaley Avenue, PO Box 310, Milverton, ON CANADA N0K 1M0
Tel: 800-561-3164

boshart.com ♦ blog.boshart.com

4-1/2" DIAL CONTRACTOR GAUGE LOWER MOUNT



DIMENSIONS

Part No.	No Lead Part No.	Connection	Range	Increments	Weight
			PSI		grams
N/A	PG45-15NL	1/4" MPT	0-15	0.2	300
N/A	PG45-30NL	1/4" MPT	0-30	0.5	300
N/A	PG45-60NL	1/4" MPT	0-60	1	300
N/A	PG45-100NL	1/4" MPT	0-100	1	300
N/A	PG45-160NL	1/4" MPT	0-160	2	300
N/A	PG45-200NL	1/4" MPT	0-200	2	300
N/A	PG45-300NL	1/4" MPT	0-300	5	300
N/A	PG45-400NL	1/4" MPT	0-400	5	300
N/A	PG45-600NL	1/4" MPT	0-600	10	300
VACUUM GAUGE					
PGV45-30	N/A	1/4" MPT	30-0Hg	0.5	300
COMBINATION VACUUM / PRESSURE GAUGE					
PGC45-30-30	N/A	1/4" MPT	30Hg-0-30	0.5	300

BOSHART
INDUSTRIES

25 Whaley Avenue, PO Box 310, Milverton, ON CANADA N0K 1M0
Tel: 800-561-3164

boshart.com ♦ blog.boshart.com