



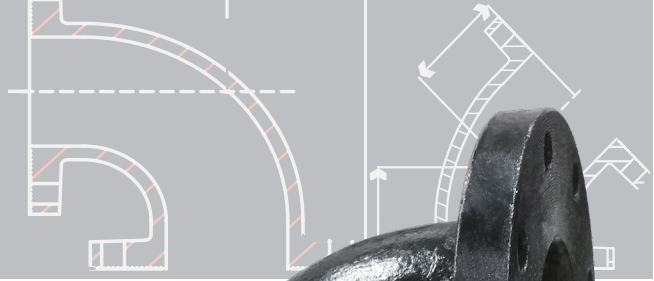
DUCTILE / CAST IRON  
**FLANGED  
FITTINGS**





# DUCTILE / CAST IRON FLANGED FITTINGS SPECIFICATION SHEET

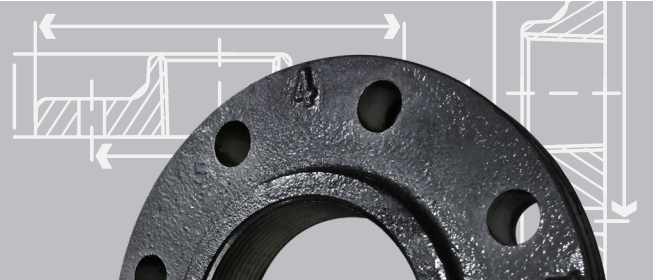
## FLANGED FITTINGS DUCTILE / CAST IRON CLASS 125



- Cement lined flanged fittings UL listed through 12"
- Iron castings conform to ASTM A126 and ASTM A48
- Flanged fitting dimensions conform to ASME B16.1 and ANSI/AWWA C110/A21.10
- Flanged fittings 6" and smaller are made from ductile iron and meet ASME B16.42 Class 125
- Manufacturing facility is ISO 9001:2008



## CAST IRON FLANGES COMPANION & BLIND CLASS 150



- Iron castings conform to ASTM A536
- Flange dimensions, drilling and materials in accordance with AWWA C110/ASME B16.42
- Hot-dipped galvanized flanges conform to ASTM A153
- Companion flange threads conform to ASME B1.20.1
- Manufacturing facility is ISO 9001:2008





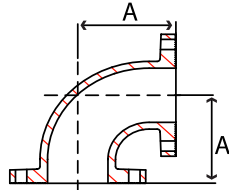
# DUCTILE / CAST IRON FLANGED FITTINGS

FLANGFIT 0619  
June 3, 2019

Class 125 Cement lined black flanged fittings · Class 150 Flanges available in Black and Galvanized · Flanged fittings UL Listed through 12" Castings conform to ASTM A126, ASTM A48 and ASTM A536 Fittings conform to ASME B16.1 and ANSI/AWWA C110/A21.10 Flanges conform to AWWA C110 / ASME B16.42 / ASME B1.20.1 · Flanged fittings 6" and smaller are made from ductile iron and meet ASME B16.42 Class 150 Manufacturing facility is ISO 9001:2008

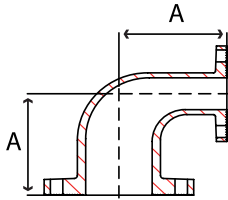


## FLANGED 90° ELBOW



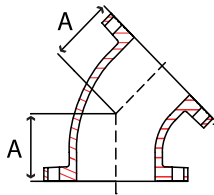
| PART #  | SIZE | DESCRIPTION      | A    | WEIGHT | QTY | LIST       |
|---------|------|------------------|------|--------|-----|------------|
| FGEL03B | 3"   | 150 Ductile Iron | 5.5  | 25     | 100 | \$346.33   |
| FGEL04B | 4"   | 150 Ductile Iron | 6.5  | 45     | 60  | \$539.18   |
| FGEL05B | 5"   | 150 Ductile Iron | 7.5  | 52     | 45  | \$1,027.02 |
| FGEL06B | 6"   | 150 Ductile Iron | 8.0  | 65     | 37  | \$878.92   |
| FGEL08B | 8"   | 125 Cast Iron    | 9.0  | 105    | 22  | \$1,414.99 |
| FGEL10B | 10"  | 125 Cast Iron    | 11.0 | 165    | 15  | \$2,325.05 |
| FGEL12B | 12"  | 125 Cast Iron    | 12.0 | 255    | 9   | \$3,271.01 |

## FLANGED REDUCING 90°



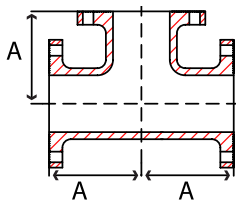
| PART #    | SIZE     | DESCRIPTION       | A    | WEIGHT | QTY | LIST       |
|-----------|----------|-------------------|------|--------|-----|------------|
| FGEL0302B | 3" x 2"  | 150 Ductile Iron  | 5.5  | 22     | 110 | \$440.77   |
| FGEL0403B | 4" x 3"  | 150 Ductile Iron  | 6.5  | 29     | 68  | \$483.43   |
| FGEL0604B | 6" x 4"  | 150 Ductile Iron  | 8.0  | 55     | 40  | \$872.07   |
| FGEL0806B | 8" x 6"  | 150 Ductile Iron* | 9.0  | 85     | 25  | \$1,286.92 |
| FGEL1008B | 10" x 8" | 125 Cast Iron     | 11.0 | 150    | 16  | \$2,259.01 |

## FLANGED 45° ELBOW



| PART #  | SIZE | DESCRIPTION      | A   | WEIGHT | QTY | LIST     |
|---------|------|------------------|-----|--------|-----|----------|
| FGFE04B | 4"   | 150 Ductile Iron | 4.0 | 40     | 70  | \$606.76 |
| FGFE06B | 6"   | 150 Ductile Iron | 5.0 | 55     | 45  | \$807.48 |

## FLANGED TEE



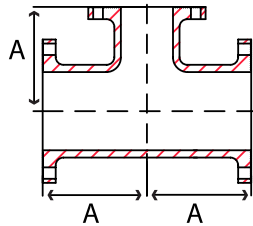
| PART #    | SIZE   | DESCRIPTION      | A    | WEIGHT | QTY | LIST       |
|-----------|--------|------------------|------|--------|-----|------------|
| FGTE02B   | 2"     | 150 Ductile Iron | 4.5  | 20     | 120 | \$373.88   |
| FGTE0212B | 2-1/2" | 150 Ductile Iron | 5.0  | 30     | 80  | \$641.49   |
| FGTE03B   | 3"     | 150 Ductile Iron | 5.5  | 40     | 65  | \$503.87   |
| FGTE04B   | 4"     | 150 Ductile Iron | 6.5  | 65     | 40  | \$983.89   |
| FGTE05B   | 5"     | 150 Ductile Iron | 7.5  | 85     | 24  | \$2,101.58 |
| FGTE06B   | 6"     | 150 Ductile Iron | 8.0  | 95     | 24  | \$1,303.44 |
| FGTE08B   | 8"     | 125 Cast Iron    | 9.0  | 155    | 15  | \$2,197.88 |
| FGTE10B   | 10"    | 125 Cast Iron    | 11.0 | 270    | 9   | \$3,466.17 |
| FGTE12B   | 12"    | 125 Cast Iron    | 12.0 | 385    | 6   | \$4,895.16 |



# DUCTILE / CAST IRON FLANGED FITTINGS

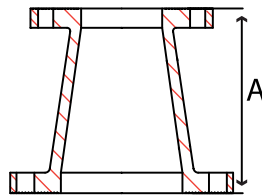
Class 125 Cement lined black flanged fittings • Class 150 Flanges available in Black and Galvanized • Flanged fittings UL Listed through 12" Castings conform to ASTM A126, ASTM A48 and ASTM A536 Fittings • conform to ASME B16.1 and ANSI/AWWA C110/A21.10 Flanges conform to AWWA C110 / ASME B16.42 / ASME B1.20.1 • Flanged fittings 6" and smaller are made from ductile iron and meet ASME B16.42 Class 150 Manufacturing facility is ISO 9001:2008

## FLANGED REDUCING TEE



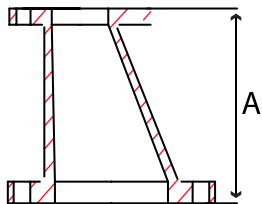
| PART #    | SIZE     | DESCRIPTION      | A    | WEIGHT | QTY | LIST       |
|-----------|----------|------------------|------|--------|-----|------------|
| FGRT0302B | 3" x 2"  | 150 Ductile Iron | -    | -      | 67  | \$523.38   |
| FGRT0402B | 4" x 2"  | 150 Ductile Iron | -    | -      | 44  | \$747.70   |
| FGRT0403B | 4" x 3"  | 150 Ductile Iron | -    | -      | 36  | \$900.84   |
| FGRT0602B | 6" x 2"  | 150 Ductile Iron | -    | -      | 25  | \$1,286.92 |
| FGRT0603B | 6" x 3"  | 150 Ductile Iron | 8.0  | 85     | 24  | \$1,286.92 |
| FGRT0604B | 6" x 4"  | 150 Ductile Iron | 8.0  | 90     | 24  | \$1,357.76 |
| FGRT0806B | 8" x 6"  | 150 Ductile Iron | 9.0  | 145    | 16  | \$1,839.23 |
| FGRT1008B | 10" x 8" | 125 Cast Iron    | 11.0 | 225    | 10  | \$2,888.79 |

## CONCENTRIC REDUCER



| PART #    | SIZE     | DESCRIPTION      | A    | WEIGHT | QTY | LIST       |
|-----------|----------|------------------|------|--------|-----|------------|
| FGCR0302B | 3" x 2"  | 150 Ductile Iron | 6.0  | 16     | 140 | \$251.10   |
| FGCR0403B | 4" x 3"  | 150 Ductile Iron | 7.0  | 30     | 80  | \$377.86   |
| FGCR0603B | 6" x 3"  | 150 Ductile Iron | 9.0  | 40     | 60  | \$602.14   |
| FGCR0604B | 6" x 4"  | 150 Ductile Iron | 9.0  | 45     | 55  | \$597.70   |
| FGCR0605B | 6" x 5"  | 150 Ductile Iron | 9.0  | 50     | 50  | \$767.44   |
| FGCR0806B | 8" x 6"  | 150 Ductile Iron | 11.0 | 75     | 33  | \$940.61   |
| FGCR1006B | 10" x 6" | 150 Ductile Iron | 12.0 | 93     | 24  | \$1,227.89 |
| FGCR1008B | 10" x 8" | 125 Cast Iron    | 12.0 | 109    | 22  | \$1,534.87 |

## ECCENTRIC REDUCER



| PART #    | SIZE     | DESCRIPTION      | A    | WEIGHT | QTY | LIST       |
|-----------|----------|------------------|------|--------|-----|------------|
| FGER0403B | 4" x 3"  | 150 Ductile Iron | 7.0  | 30     | 80  | \$456.53   |
| FGER0604B | 6" x 4"  | 150 Ductile Iron | 9.0  | 45     | 55  | \$680.85   |
| FGER0806B | 8" x 6"  | 150 Ductile Iron | 11.0 | 75     | 33  | \$1,133.44 |
| FGER1008B | 10" x 8" | 125 Cast Iron    | 12.0 | 110    | 22  | \$1,656.87 |

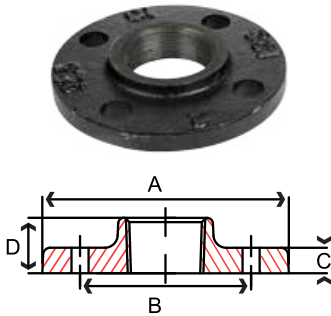
# DUCTILE / CAST IRON FLANGED FITTINGS

FLANGFIT 0619  
June 3, 2019

Class 125 Cement lined black flanged fittings · Class 150 Flanges available in Black and Galvanized · Flanged fittings UL Listed through 12" Castings conform to ASTM A126, ASTM A48 and ASTM A536 Fittings · conform to ASME B16.1 and ANSI/AWWA C110/A21.10 Flanges conform to AWWA C110 / ASME B16.42 /ASME B1.20.1 · Flanged fittings 6" and smaller are made from ductile iron and meet ASME B16.42 Class 150 Manufacturing facility is ISO 9001:2008

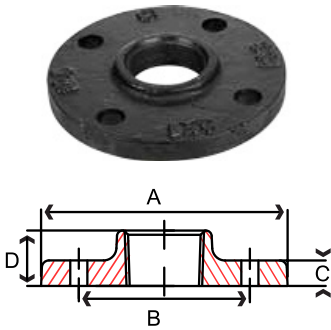


## THREADED COMPANION FLANGE



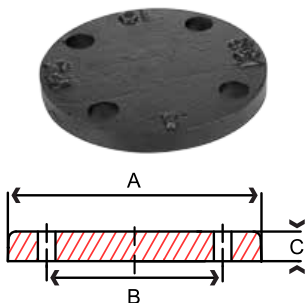
| PART #    | SIZE   | DESCRIPTION              | A     | B     | C    | D    | WEIGHT | QTY | LIST     |
|-----------|--------|--------------------------|-------|-------|------|------|--------|-----|----------|
| FGCF0112B | 1-1/2" | 125 Cast Iron Black      | 5.00  | 3.88  | 0.56 | 0.88 | 3      | 900 | \$62.27  |
| FGCF02B   | 2"     | 125 Cast Iron Black      | 6.00  | 4.75  | 0.62 | 1.00 | 4      | 560 | \$62.27  |
| FGCF0212B | 2-1/2" | 125 Cast Iron Black      | 7.00  | 5.50  | 0.69 | 1.12 | 6      | 360 | \$77.00  |
| FGCF03B   | 3"     | 125 Cast Iron Black      | 7.50  | 6.00  | 0.75 | 1.19 | 8      | 320 | \$96.91  |
| FGCF04B   | 4"     | 125 Cast Iron Black      | 9.00  | 7.50  | 0.94 | 1.31 | 12     | 200 | \$139.02 |
| FGCF05B   | 5"     | 125 Cast Iron Black      | 10.00 | 8.50  | 0.94 | 1.44 | 14     | 140 | \$252.66 |
| FGCF06B   | 6"     | 125 Cast Iron Black      | 11.00 | 9.50  | 1.00 | 1.56 | 16     | 110 | \$208.60 |
| FGCF08B   | 8"     | 125 Cast Iron Black      | 13.50 | 11.75 | 1.12 | 1.75 | 28     | 60  | \$339.76 |
| FGCF02G   | 2"     | 125 Cast Iron Galvanized | 6.00  | 4.75  | 0.62 | 1.00 | 4      | 560 | \$84.79  |
| FGCF0212G | 2-1/2" | 125 Cast Iron Galvanized | 7.00  | 5.50  | 0.69 | 1.12 | 6      | 360 | \$121.21 |
| FGCF03G   | 3"     | 125 Cast Iron Galvanized | 7.50  | 6.00  | 0.75 | 1.19 | 8      | 300 | \$146.26 |
| FGCF04G   | 4"     | 125 Cast Iron Galvanized | 9.00  | 7.50  | 0.94 | 1.31 | 12     | 200 | \$219.09 |
| FGCF06G   | 6"     | 125 Cast Iron Galvanized | 11.00 | 9.50  | 1.00 | 1.56 | 16     | 110 | \$311.68 |

## REDUCING COMPANION FLANGE



| PART #        | SIZE            | DESCRIPTION              | A     | B     | C    | D    | WEIGHT | QTY | LIST     |
|---------------|-----------------|--------------------------|-------|-------|------|------|--------|-----|----------|
| FGRC020712B   | 2" x 7-1/2"     | 125 Cast Iron Black      | 7.50  | 6.00  | 0.75 | 1.19 | 8      | 300 | \$121.46 |
| FGRC0209B     | 2" x 9"         | 125 Cast Iron Black      | 9.00  | 7.50  | 0.94 | 1.31 | 16     | 170 | \$169.97 |
| FGRC0211B     | 2" x 11"        | 125 Cast Iron Black      | 11.00 | 9.50  | 1.00 | 1.56 | 23     | 107 | \$277.17 |
| FGRC02120712B | 2-1/2" x 7-1/2" | 125 Cast Iron Black      | 7.50  | 6.00  | 0.75 | 1.19 | 8      | 300 | \$111.86 |
| FGRC021209B   | 2-1/2" x 9"     | 125 Cast Iron Black      | 9.00  | 7.50  | 0.94 | 1.31 | 13     | 190 | \$190.28 |
| FGRC0309B     | 3" x 9"         | 125 Cast Iron Black      | 9.00  | 7.50  | 0.94 | 1.31 | 13     | 190 | \$212.99 |
| FGRC0311B     | 3" x 11"        | 125 Cast Iron Black      | 11.00 | 9.50  | 1.00 | 1.56 | 21     | 110 | \$324.59 |
| FGRC0411B     | 4" x 11"        | 125 Cast Iron Black      | 11.00 | 9.50  | 1.00 | 1.56 | 21     | 110 | \$387.94 |
| FGRC041312B   | 4" x 13-1/2"    | 125 Cast Iron Black      | 13.50 | 11.75 | 1.12 | 1.75 | 35     | 65  | \$619.37 |
| FGRC061312B   | 6" x 13-1/2"    | 125 Cast Iron Black      | 13.50 | 11.75 | 1.12 | 1.75 | 30     | 65  | \$813.49 |
| FGRC020712G   | 2" x 7-1/2"     | 125 Cast Iron Galvanized | 7.50  | 6.00  | 0.75 | 1.19 | 8      | 300 | \$175.29 |
| FGRC0209G     | 2" x 9"         | 125 Cast Iron Galvanized | 9.00  | 7.50  | 0.94 | 1.31 | 16     | 160 | \$270.46 |
| FGRC0309G     | 3" x 9"         | 125 Cast Iron Galvanized | 9.00  | 7.50  | 0.94 | 1.31 | 13     | 180 | \$301.62 |
| FGRC0411G     | 4" x 11"        | 125 Cast Iron Galvanized | 11.00 | 9.50  | 1.00 | 1.56 | 21     | 110 | \$451.64 |

## BLIND FLANGE



| PART #  | SIZE | DESCRIPTION   | A     | B    | C    | WEIGHT | QTY | LIST     |
|---------|------|---------------|-------|------|------|--------|-----|----------|
| FGBF02B | 2"   | 125 Cast Iron | 6.00  | 4.75 | 0.62 | 5      | 490 | \$67.68  |
| FGBF03B | 3"   | 125 Cast Iron | 7.50  | 6.00 | 0.75 | 9      | 260 | \$136.08 |
| FGBF04B | 4"   | 125 Cast Iron | 9.00  | 7.50 | 0.94 | 15     | 160 | \$182.07 |
| FGBF06B | 6"   | 125 Cast Iron | 11.00 | 9.50 | 1.00 | 23     | 100 | \$282.76 |