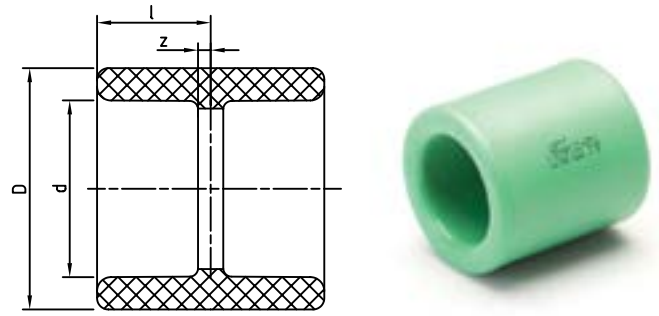
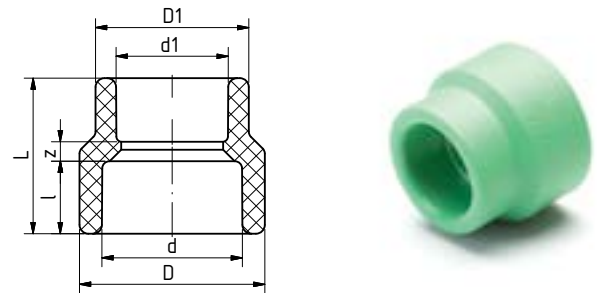


aquatherm COUPLING



New Part no.	Old Part no.	Dimension (ND — OD)	d	l	z	D	Weight
			[in]	[in]	[in]		
1040020911	0111008	½" — 20 mm	0.79	0.63	0.06	1.16	0.02
1040025912	0111010	¾" — 25 mm	0.98	0.69	0.06	1.34	0.03
1040032913	0111012	1" — 32 mm	1.26	0.80	0.09	1.69	0.06
1040040914	0111014	1¼" — 40 mm	1.57	0.94	0.13	2.05	0.10
1040050915	0111016	1½" — 50 mm	1.97	1.04	0.12	2.68	0.19
1040063916	0111018	2" — 63 mm	2.48	1.19	0.11	3.31	0.31
1040075917	0111020	2½" — 75 mm	2.95	1.31	0.13	3.94	0.50
1040090918	0111022	3" — 90 mm	3.54	1.43	0.13	4.72	0.76
1040110919	0111024	3½" — 110 mm	4.33	1.61	0.16	5.79	1.28
1040125920	0111026	4" — 125 mm	4.92	1.77	0.20	6.57	1.86

aquatherm REDUCING COUPLING female/female



New Part no.	Old Part no.	Dimension (ND — OD)	d	d1	L	l	z	D	D1	Weight
			[in]	[in]	[in]	[in]	[in]			
1040040967	0111222	1 ¼" to 1" — 40 to 32 mm	1.57	1.26	1.73	0.94	0.14	2.05	1.69	0.08
1040050968	0111228	1 ½" to 1" — 50 to 32 mm	1.97	1.26	1.85	1.04	0.12	2.68	1.69	0.14
1040050969	0111230	1 ½" to 1 ¼" — 50 to 40 mm	1.97	1.57	1.99	1.04	0.12	2.68	2.05	0.15
1040063970	0111236	2" to 1 ¼" — 63 to 40 mm	2.48	1.57	2.13	1.20	0.12	3.31	2.05	0.25
1040063971	0111238	2" to 1 ½" — 63 to 50 mm	2.48	1.97	2.20	1.18	0.10	3.31	2.68	0.27
1040075972	0111240	2 ½" to 1 ½" — 75 to 50 mm	2.95	1.97	2.68	1.32	0.57	3.94	2.68	0.39
1040075973	0111242	2 ½" to 2" — 75 to 63 mm	2.95	2.48	2.46	1.28	0.10	3.94	3.31	0.41
1040090974	0111252	3" to 2" — 90 to 63 mm	3.54	2.48	2.62	1.44	0.14	4.72	3.31	0.61
1040090975	0111253	3" to 2 ½" — 90 to 75 mm	3.54	2.95	2.72	1.42	0.12	4.72	3.94	0.65
1040110976	0111257	3 ½" to 2 ½" — 110 to 75 mm	4.33	2.95	2.93	1.61	0.16	5.79	3.94	1.14
1040110977	0111259	3 ½" to 3" — 110 to 90 mm	4.33	3.54	3.05	1.61	0.16	5.79	4.72	1.15
1040125978	0111263	4" to 3" — 125 to 90 mm	4.92	3.54	3.27	1.81	0.24	6.57	4.72	1.65
1040125979	0111265	4" to 3 ½" — 125 to 110 mm	4.92	4.33	3.43	1.81	0.24	6.57	5.79	1.60