

Location: _____

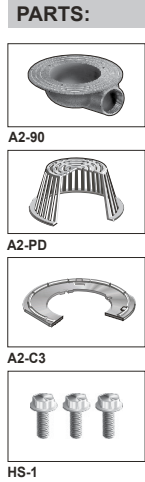
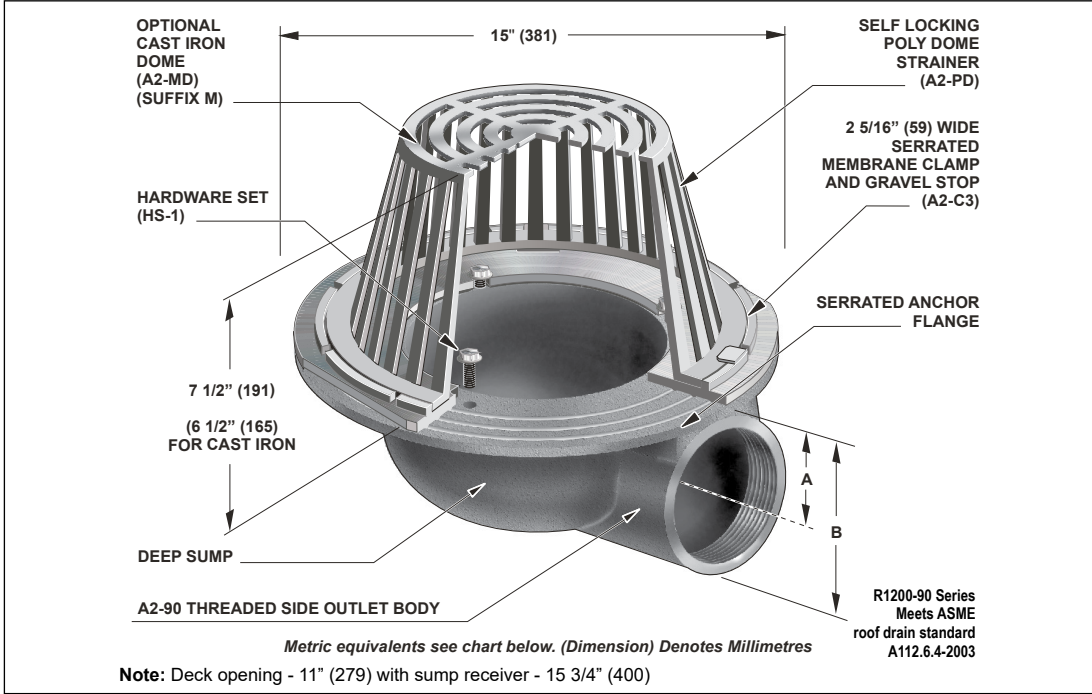


R1200-90

LARGE SUMP ROOF DRAIN WITH SIDE OUTLET

Specification: MIFAB® Series R1200-90 lacquered cast iron deep sump roof drain with threaded side outlet, 15" diameter anchor flange, large cast iron waterproofing membrane clamp ring with integral gravel stop, and standard self-locking polyethylene dome strainer with a free area of 125 square inches.

Function: Used in any type of flat roofs. Large free area dome provides for efficient drainage of rainwater and prevents debris from entering the drain line. Extra wide anchor flange and membrane clamp with tongue in groove design provides for secure grip of membrane and roof flashing materials.



PIPE SIZE	BODY HEIGHT		
	“B” BODY HEIGHT THREADED OUTLET (STANDARD)	“A” DIMENSION THREADED OUTLET (STANDARD)	“A” DIMENSION NO HUB OUTLET
2” (51)	5 3/4” (146)	4 3/8” (111)	3 7/8” (98)
3” (76)	5 3/4” (146)	3 3/4” (95)	3 3/8” (86)
4” (102)	5 3/4” (146)	3 1/4” (83)	2 7/8” (73)

SUFFIX	OPTIONAL VARIATIONS	SUFFIX	OPTIONAL VARIATIONS
-6	Vandal proof dome (metal dome only)	-HC	Adjustable ballast guard with sec. clamp
-11	Acid resistant epoxy coating	-JC	S.S. ballast guard with secondary clamp
-12	Galvanized metal dome	-M	Metal dome
-12A	Galvanized body and membrane clamp	-M-80	Low profile silhouette aluminum dome
-13	Galvanized body, membrane clamp and dome	-NH	No hub side outlet
-14	Flat grate (replaces dome strainer)	-PA	Pennsylvania Steel Act compliant product
-28	Stainless steel body (Type 304) (2”, 3”, 4”)	-R	2” external water dam
-81	Rough bronze dome	-RG	RoofGuard non clogging cast iron dome
-83	Stainless steel mesh screen over dome	-U3	Underdeck clamp with cutaway side
(Standard)	No hub outlet	-V	Fixed extension, 2”, 3”, 4”
-B	Sump receiver	-VG	Galvanized fixed extension (2”, 3”, 4”)
-BA	Minimum 51% material cost made in the USA	-W	Adjustable water dam
-C	Secondary clamp	-W-1	Water proofing flange
-E	Adjustable extension	-W2	2” high internal water dam
-EG	Galvanized Adjustable extension	-W3	3” high internal water dam
-F1, -F2, -F3	Accuflow (parabolic weir) specify	-W4	4” high internal water dam
-G	Stainless steel ballast guard	-W6	6” diameter adjustable water dam
		-Z	Extended wide elastomeric flange

CALIFORNIA PROPOSITION 65 WARNING. This product contains chemicals known to the State of California to cause cancer and birth defects or other reproductive harm.

Job Name: _____ Page No: _____
 Section No: _____ Contractor: _____
 Schedule No: _____ Purchase Order No: _____