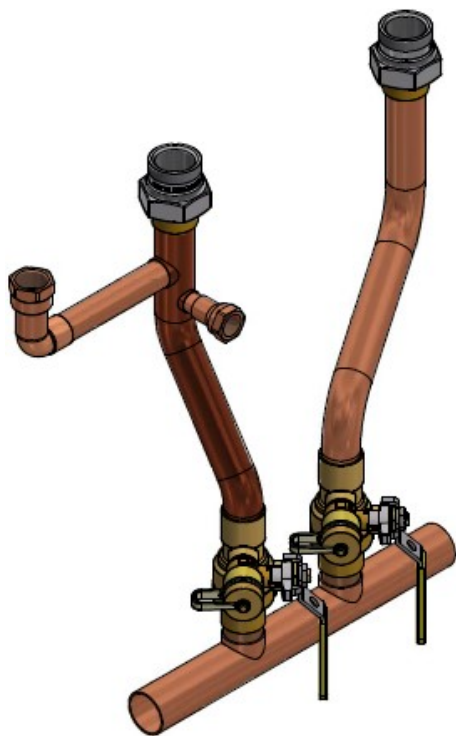


SPECIFICATIONS



Closely Spaced Tee

I-SERIES CONDENSING BOILERS - PRIMARY-SECONDARY HEATING KIT

| | |
|---------------------------------|---|
| Rinnai Part Number | 807000212 |
| Applicable Boiler Models | Combi Models: i060C, i090C, i120C |
| Material | Type L Copper |

BENEFITS

- Factory-built for quick field installation
- Designed specifically for Rinnai I-Series Boilers
- Offered as a boiler accessory for hydraulic separation
- Small footprint for easy installation
- Compact and lightweight (7.0 lb / 3.2 kg)

HYDRAULIC SEPARATION

A closely spaced tee is a hydraulic separator that separates the boiler loop from the central heating loop. Hydraulic separators allow for no pump curve matching or flow calculation and is ideal for multi-temperature and multi-zone systems. Examples include:

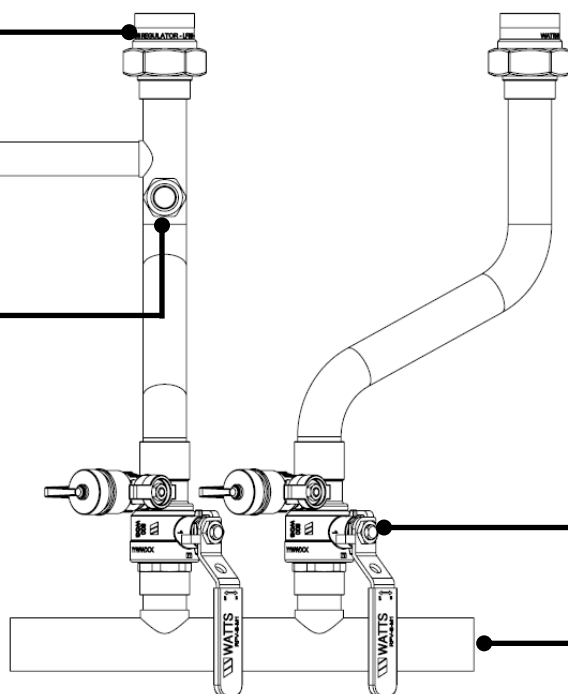
- Systems with high pressure drops
- Systems with high flow demands
- Systems with zone circulators
- Large zoned systems

CONNECTIONS

1 in. NPT Dielectric Union
(Left and right sides)

3/4 in. FNPT Pressure Relief
Valve Connection
(Pressure Relief Valve supplied
with boiler)

1/2 in. FNPT Pressure/
Temperature Gauge Connection

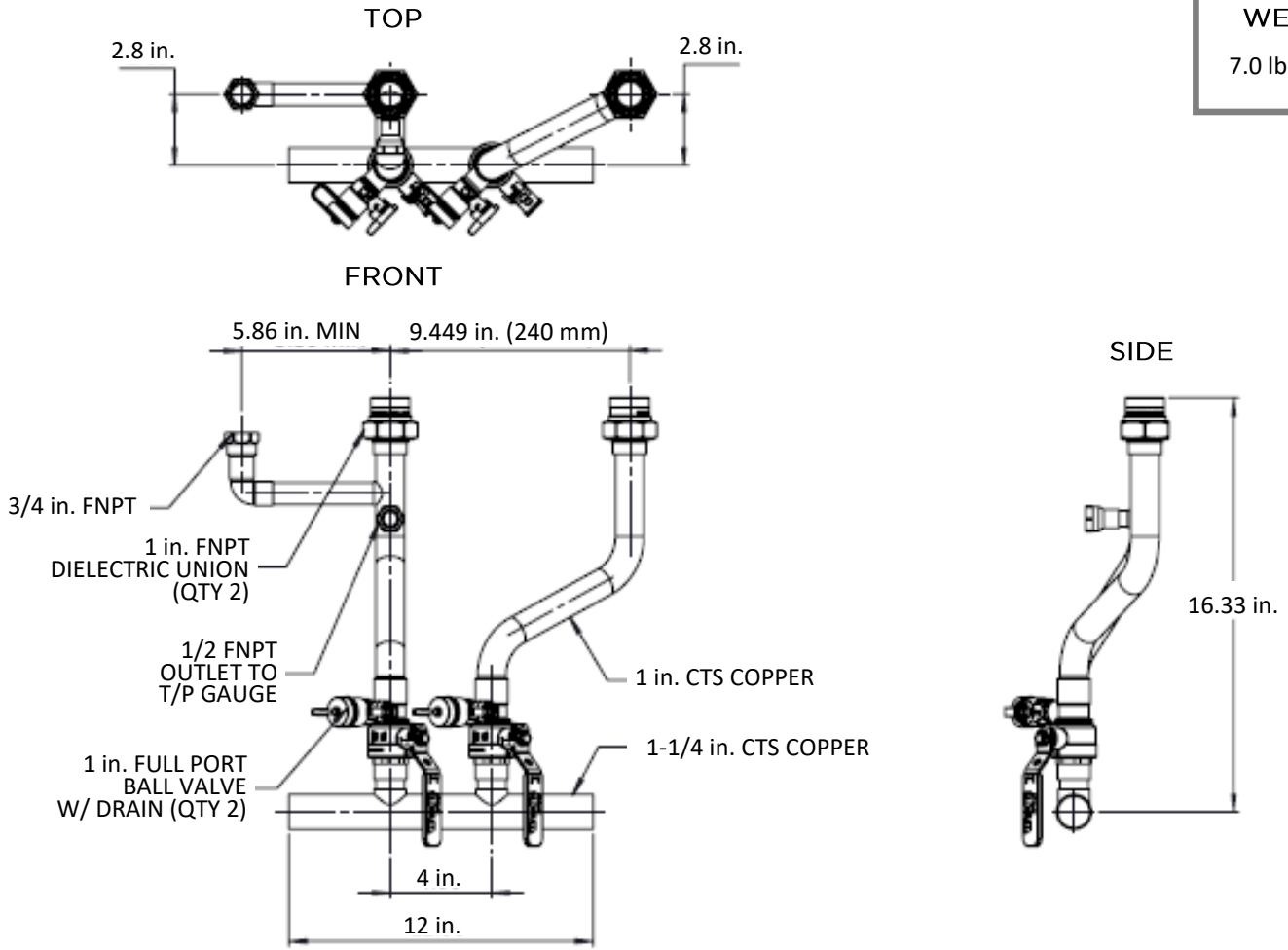


1 in. Drain and Isolation Combination
Valve
(Left and right sides)

1-1/4 in. Supply/Return
Manifold Connection

DIMENSIONS AND WEIGHT

WEIGHT
7.0 lb (3.2 kg)



SYSTEM APPLICATION EXAMPLE

