

# SC Silent Wafer Style Check Valve

Spec Sheet

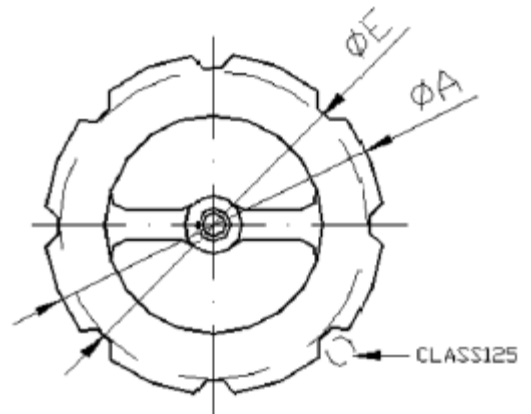
## FEATURES & BENEFITS

- Silent Wafer Style Check Valve
- 200 WOG-125 WSP
- Class 125
- Bolted Bonnet
- Conforms with MSS-SP-71
- Fits Flanges that Conform to ANSI B16.1
- Sizes 2" - 12"



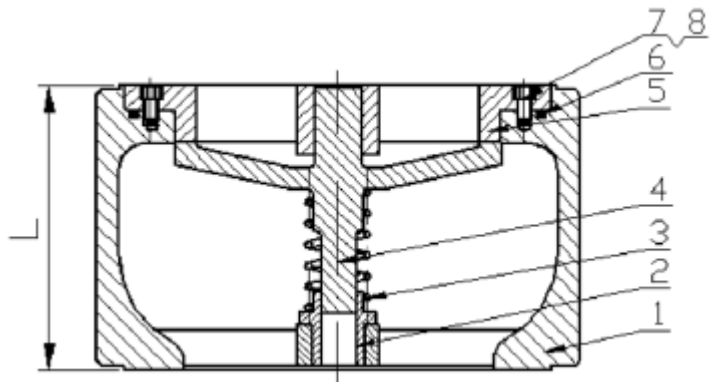
## DIMENSIONS

Size	Part #	A	E	L	Approx. WT. LBS.
2"	SC-2	4.26	4.10	2.64	7
2-1/2"	SC-2.5	5.00	4.85	2.88	9
3"	SC-3	5.75	5.36	3.15	15
4"	SC-4	7.01	6.86	4.02	25
5"	SC-5	8.75	7.72	4.65	32
6"	SC-6	9.77	8.75	5.59	56
8"	SC-8	13.40	10.99	6.50	100
10"	SC-10	16.00	13.36	8.27	140
12"	SC-12	19.11	16.11	11.23	340



## MATERIAL SPECIFICATIONS

No.	Part	Material
1	Body	Cast Iron
2	Bushing	Stainless Steel 316
3	Spring	Stainless Steel 316
4	Disc	Bronze B62
5	Seat	Bronze B62
6	O-Ring	EPDM
7	Screw	Stainless Steel 304
8	O-Ring	EPDM



**MATCO**  
**NORCA**