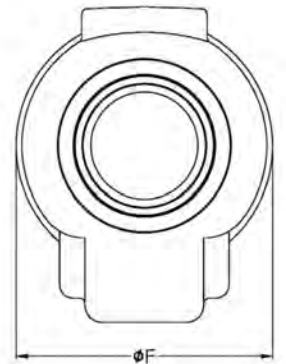
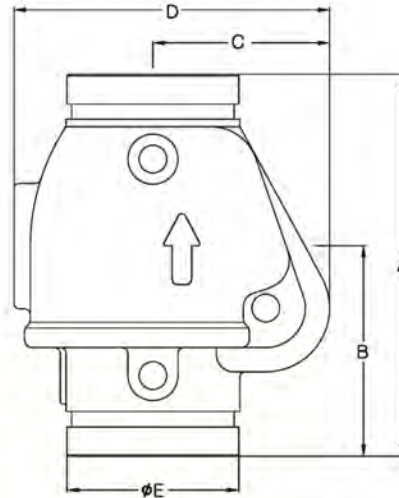
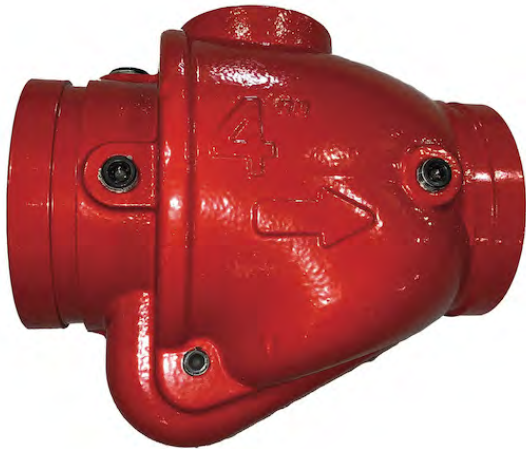


823 Series Check Valve



SPECIFICATIONS

- WORKING PRESSURE: 300 PSI
- MAX. TEST PRESSURE: 600 PSI
- TEMPERATURE RANGE ~250°F
- MAY BE INSTALLED VERTICALLY OR HORIZONTALLY
- TAPPING BOLTED POSSIBLE NPT/PT

COMPONENTS

PART NAME	MATERIAL
BODY	ASTM A536
SEAT RING	BRASS ASTM C37700
CLAPPER	ASTM A240
RUBBER RING	EPDM
SPRING	ASTM A240
HINGE PIN	ASTM A240

DIMENSIONS

SIZE	PIPE OD	A	B	C	D	E	F	WEIGHT (LBS.)
2"	2.37	6.34	3.54	2.80	5.02	2.37	4.21	6.24
2 1/2"	2.88	7.06	3.91	3.19	5.71	2.87	4.74	8.80
3	3.50	7.80	4.29	3.61	6.44	3.50	5.24	13.23
4	4.50	8.62	4.06	4.25	7.71	4.50	6.49	19.84
6	6.63	10.38	5.12	5.43	9.56	6.63	8.00	37.48