

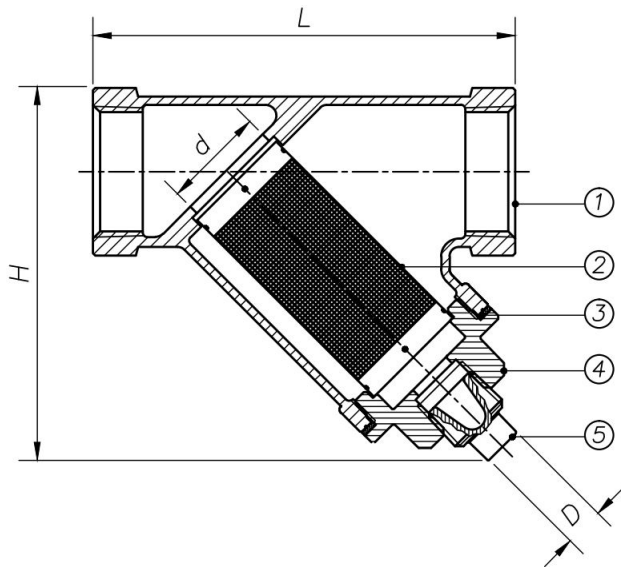
FEMALE IPS X FEMALE IPS • LEAD FREE

Features

- Lead free brass
- Brass body and plug
- Screwed cap
- Mesh screen
- 1/2" - 2"

Specifications & Approvals

Maximum Pressure: 150 SWP
 Maximum Temperature: 180°F
 Contact Temperature: 73.4 - 35.6 F (23 ± 2°C)
 Conforms to:
 • NSF/ANSI 372-2011
 • NSF/ANSI 61 Section 8



Dimensions

Part#	Size	d	D	H	L
100T012-NL	1/2"	15.5	11.5	76.5	82
100T034-NL	3/4"	21	11.5	88.6	100
100T001-NL	1"	25.5	13.3	102.5	115
100T114-NL	1-1/4"	32.8	13.3	119.5	135.5
100T112-NL	1-1/2"	41.7	13.3	127.5	157.5
100T002-NL	2"	51.5	13.3	156	189

Material Specifications

Part Name	Material
1. Body	Cast Brass C89844
2. Filter	Stainless Steel SS304
3. Packing	FIBRE
4. Bonnet	Cast Brass C89844
5. Plug	Cast Brass C89844