

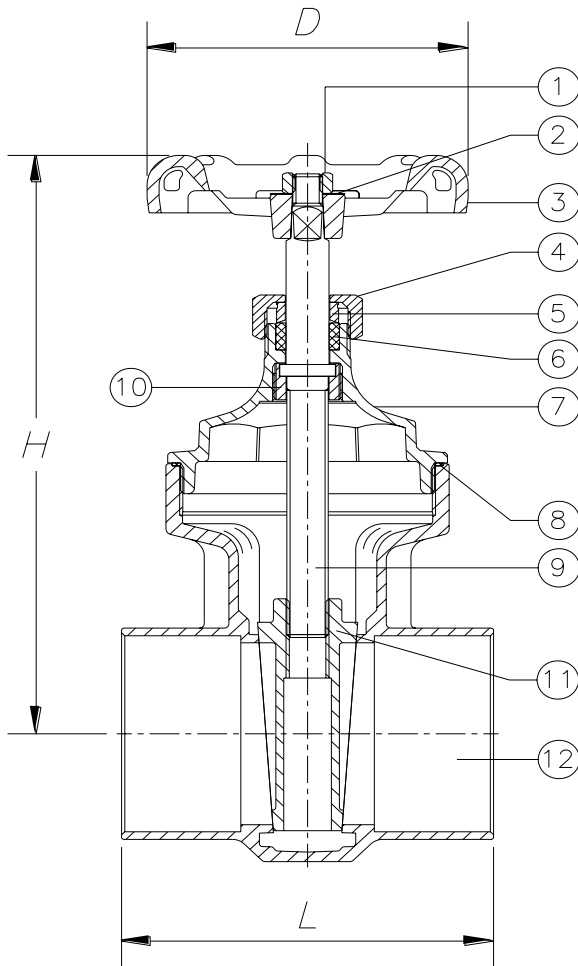
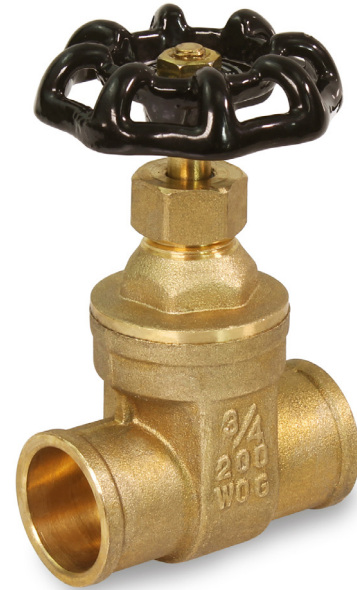
SWEAT ENDS • LEAD FREE

Features

- Lead Free Compliant
- Cast Iron Handle
- Cast Brass Body
- Cast Brass Disc

Specifications & Approvals

Temperature Range: 180°F
 200 WOG Non Shock
 Solder-Joint Conform to ASME B16.22
 NSF/ANSI-61 Approved 1/4" - 2"



Dimensions

Part#	Size	L	H	D
205C012-NL	1/2"	43	74	53
205C034-NL	3/4"	59	84	54
205C001-NL	1"	69	99	63
205C114-NL	1-1/4"	74.5	117	69
205C112-NL	1-1/2"	84.5	129	80
205C002-NL	2"	101	152	89.5
205C212-NL	2-1/2"	117	200	101
205C003-NL	3"	135	224	111
205C004-NL	4"	161.5	251	127

Material Specifications

Part Name	Material
1. Nut	Brass (C26000)
2. Name Plate	Aluminum
3. Handwheel	Cast Iron
4. Packing Nut	Brass
5. Gland Ring	Brass
6. Gland Packing	PTFE
7. Bonnet	Brass (C46400 MOD)
8. Packing	Fibre
9. Stem	Brass (C46400 MOD)
10. Lock Nut	Brass (C46400)
11. Disc	Brass (C46400 MOD)
12. Body	Brass (C46400 MOD)