

NON-RISING STEM • THREAD X THREAD • LEAD FREE

Features

- Cast brass
- Threaded bonnet
- Non-rising stem
- Blow-out proof stem design
- PSI 125 steam

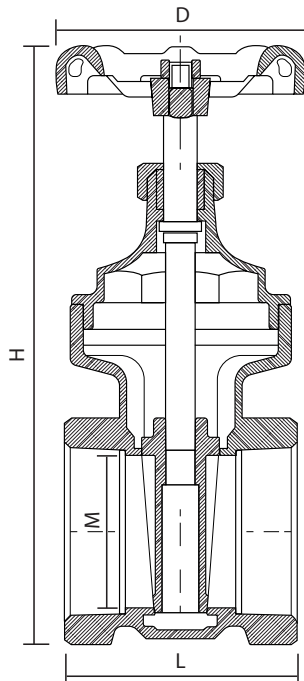
Specifications & Approvals

Maximum Pressure: 200 psi (13.8 bar) WOG

Non-shock to 180°F (82°C)

Thread ends compliant with:

- ANSI B1.20.1



Dimensions

Part#	Size	D	H	L	M	Cv
205T014-NL	1/4"	53	74	43.5	11	3.96
205T038-NL	3/8"	53	74	43.5	12	7.37
205T012-NL	1/2"	53	74	43.5	13.5	9.75
205T034-NL	3/4"	54	84	46	19	18.84
205T001-NL	1"	63	99	54	25	31.82
205T114-NL	1 1/4"	69	117	57	32	48.83
205T112-NL	1 1/2"	80	129	62	38	74.65
205T002-NL	2"	89.5	152	68.5	49	86.44
205T212-NL	2 1/2"	101	200	94	62	106.67
205T003-NL	3"	111	224	102	75	158.85
205T004-NL	4"	123	251	115	92	173.44

Material Specifications

Part Name	Material
Wheel Nut	Hot Rolled - SAE 1010R
Name Plate	Aluminum - A1100
Handwheel	Cast Iron - JIS ZZ2202
Packing Nut	Brass Rod - C37700
Gland Ring	Brass Rod - C37700
Gland Packing	Graphite - LK 33 NAFG
Bonnet	Cast Brass - C46400 MOD
Packing	Fiber
Stem	Brass Rod 1/4" - 2" - C46400 2 1/2"+Brass Rod - C46400 MOD
Lock Nut	Cast Brass - C46400
Disc	Cast Brass - C46400 MOD
Body	Cast Brass - C46400 MOD