

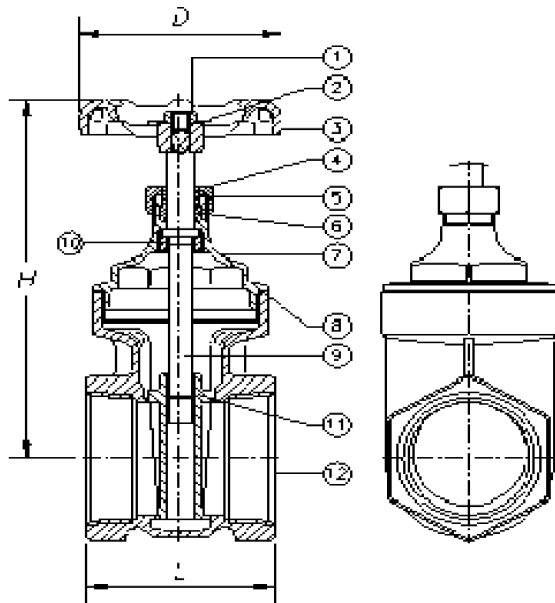
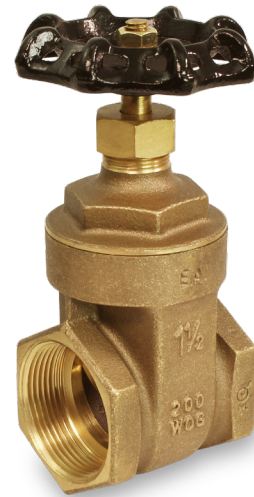
**FULL PORT • 200 WOG • HEAVY DUTY INDUSTRIAL GRADE • FEMALE NPT**

**Features**

- Heavy Duty Construction
- Full Port
- Cast Iron Handle
- Cast Brass Body & Disc
- Non-rising Stem

**Specifications & Approvals**

Threads conform ANSI B1.20.1  
 200 WOG Non Shock Temperature Range: 180°F  
 Third Party Certified NSF/ANSI-61 Standard  
 Approved 1-1/2" - 4"



**Dimensions**

Part#	Size	L	H	D	D1
207T012	1/2"	43.5	74	53	13.5
207T034	3/4"	46	84	54	19
207T001	1"	54	99	63	25
207T114	1-1/4"	57	117	69	32
207T112	1-1/2"	62	129	80	38
207T002	2"	68.5	152	89.5	49
207T212	2-1/2"	94	200	101	62
207T003	3"	102	224	111	75
207T004	4"	115	251	127	92

**Material Specifications**

Part Name	Material
1. Nut	Brass C37700
2. Name Plate	Aluminum A1100
3. Handwheel	Cast Iron JIS ZZ2202
4. Packing Nut	Brass C37700
5. Gland Ring	Brass C37700
6. Gland Packing	PTFE
7. Bonnet	Brass C85700
8. Packing	FIBRE "H"
9. Stem	Brass C85700
10. Lock Nut	Brass C37700
11. Disc	Brass C85700
12. Body	Brass C85700