

## STAINLESS STEEL BRAIDED • FEMALE X FEMALE HOSE • LEAD FREE

### Features

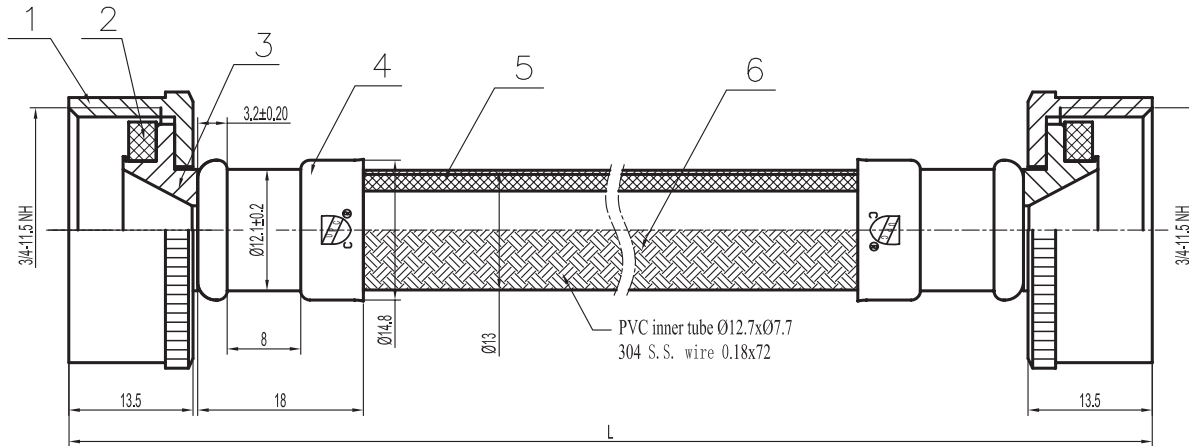
- PVC inner tube
- Stainless steel braided wire
- Full flow high pressure hose
- Female x female hose threads

### Specifications & Approvals

Working temperature: 40°F to 140°F

Operating pressure 125 PSI

- ASME A112.18.6
- 3/8" Inner hose dimension



### Dimensions

Part#	Size
2573PR	36"
2574PR	48"
2575PR	60"
2576PR	72"
2578PR	96"
25712PR	144"

### Material Specifications

Part Name	Material
1. Nut	HPb58-3 nickle plated
2. Washer	EPDM
3. Insert	HPb58-3
4. Ferrule	304 stainless steel
5. Inner tube	PVC
6. Braided hose	304 stainless steel