

FULL PORT • 600 WOG • PRESS ENDS • DOUBLE O-RING • LEAD FREE

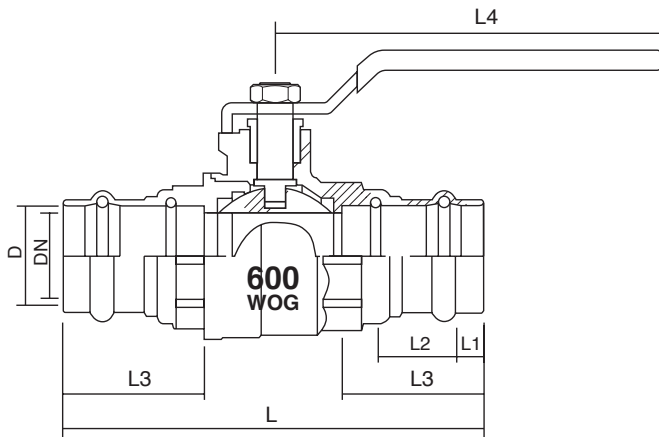
The **310R Series** has a triple sealing stem with 2 o-rings and PTFE seal. Blow-out proof stem corrosion resistant brass. 100% leak tested leak proof stem. Lifetime Warranty accessories available.

Features

- Press ends
- Dezincification resistant lead free brass
- Brass body
- Stainless steel ball
- Double o-ring
- Blow out proof brass stem
- Handle with vinyl grip

Specifications & Approvals

Max Pressure Rating: 600 psi WOG / 150 psi WSP
 Temperature Range: -20°F to 300°F
 AB195, NSF61-9, NSF-372, ISO-9002
 Conforms to MSS SP-110 and ASME A1124.14



Dimensions

Part#	Size	D	DN	L	L1	L2	L3	L4
310R012-NL	1/2"	16.27	14.5	95	11	16	35	95
310R034-NL	3/4"	22.55	19	113.4	11	19.5	40	95
310R001-NL	1"	28.97	25	119	11	19.5	40	110
310R114-NL	1-1/4"	35.32	32	143	11	19.5	43	130
310R112-NL	1-1/2"	41.67	39	150.6	13	22	47	130
310R002-NL	2"	54.37	50	178	16	25	54	161

Material Specifications

Part Name	Material
Bonnet	Brass C46500
Body	Brass C46500
Ball	1/2" - 1": C46500 , 1-1/4" - 2": SS304
Seat	PTFE
Stem	1/2" - 1": C46500 , 1-1/4" - 2": C36000
Packing Gland	PTFE
Sealing	PTFE
Packing Nut	Local Brass
Handle	Steel
Hex Screw Cap	Steel
O-Ring	EPDM

FULL PORT • 600 WOG • PRESS ENDS • DOUBLE O-RING • LEAD FREE

The 310R Series is Triple sealing stem with 2 o-rings and PTFE seal. Blow-out proof stem corrosion resistant brass. 100% leak tested leak proof stem.

Features

- Press ends
- Dezincification resistant lead free brass
- Brass body
- Stainless steel ball
- Double o-ring
- Blow out proof brass stem
- Handle with vinyl grip

Specifications & Approvals

Max Pressure Rating: 600 psi WOG / 150 psi WSP
 Temperature Range: -20°F to 300°F
 AB195, NSF61-9, NSF-372, ISO-9002
 Conforms to MSS SP-110 and ASME A1124.14



Dimensions

Part#	Size	D	d	DN	L	L1	L2	H
310R212-NL	2-1/2"	80	67	61.5	178	47	240	117
310R003-NL	3"	93	79.6	73.5	207	55	240	126
310R004-NL	4"	119	105.1	97.5	253	64	240	150

Material Specifications

Part Name	Material
Bonnet	Brass C46500
Body	Brass C46500
Ball	AISI304
Seat	PTFE
Stem	C36000
Packing Gland	PTFE
Packing Nut	Local Brass HPb58-3
Handle	Steel
Hex Screw Cap	Steel
O-Ring	EPDM
Comp Ring	Steel

