

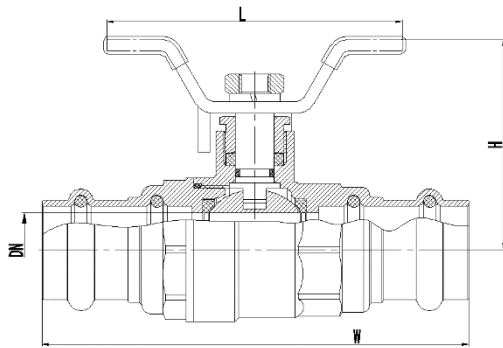
BRASS BODY • PRESS X PRESS • LEAD FREE

Features

- Dezincification Resistant (DZR) Lead Free Brass Material
- PRESS conform IAPMO PS117
- Forged Brass Body
- Blow Out Proof Stem Design
- Packing Nut, O-RING & Packing On The Stem Seal
- Stainless Steel Ball
- Handle With Vinyl Grip

Specifications & Approvals

250 psi (WOG) 150 psi (WSP) Service
 Temperature Range : -20°F to 300°F
 Conforms to 1/2"-1" per NSF/ANSI-61, NSF/ANSI-372 ,
 IGC-157



Dimensions

Part#	Size	D	L	H	W	Cv
315R012-NL	1/2"	0.591	2.38	1.57	3.66	18.55
315R034-NL	3/4"	0.748	2.99	2.13	4.33	29.76
315R001-NL	1"	0.984	2.99	2.29	4.60	51.55

Material Specifications

Part Name	Material
Body	Lead Free Brass
Seat	PTFE
Ball	Stainless Steel
Stem O-Ring	NBR
Packing Nut	Brass
Stem	Brass
Lock Nut	Ferrum /Zinc Plated
Lock Washer	Ferrum /Zinc Plated
Packing	PTFE
Handle	Ferrum /Chrome Plated
Cap	Lead Free Brass
Press O-Ring	EPDM
Cap O-Ring	NBR