

**FULL PORT • 200 WOG • PRESS ENDS • ONE-PIECE BODY DESIGN • LEAD FREE**

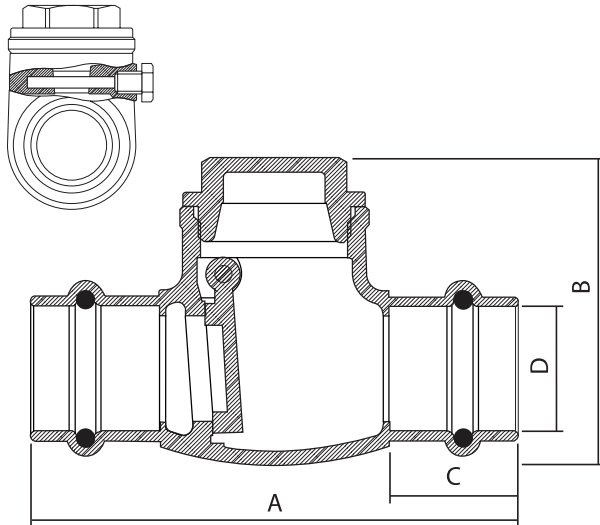
The **400R Series** is suitable for all lead free potable water installations. T-body design permits either vertical or horizontal installation. The labor saving press to connect tubing sockets eliminate the potential fire hazard associated with solder connections. A durable, full pattern lead free cast brass body resists distortion and maintains sealing surfaces.

## Features

- Press ends
- Dezincification resistant lead free brass
- Cast brass body
- One-piece body design
- T-Body design permits either vertical (upward flow only) or horizontal (assembly cap upright) installations

## Specifications & Approvals

Cold Working Pressure (CWP): 200 psi  
 Saturated Steam (WSP): Not suitable for steam service  
 EPDM rubber o-ring  
 Conforms to IAPMO PS117



## Dimensions

Part#	Size	A	B	C	D
400R012-NL	1/2"	2.97	2.10	0.75	0.63
400R034-NL	3/4"	3.50	2.27	0.93	0.88
400R001-NL	1"	3.74	2.59	0.95	1.13
400R114-NL	1-1/4"	4.13	3.12	0.98	1.39
400R112-NL	1-1/2"	5.32	3.40	1.36	1.63
400R002-NL	2"	6.06	4.10	1.56	2.14

## Material Specifications

Part Name	Material
<b>Body</b>	Lead Free Cast Brass UNS alloy C87850
<b>Cap</b>	Lead Free Cast Brass UNS alloy C87850
<b>Disc</b>	Lead Free Forged Brass UNS alloy C69300
<b>Socket O-Ring</b>	EPDM Rubber Elastomer Commercial-grade NSF compliant
<b>Screw</b>	Brass UNS C36000
<b>Hinge Pin</b>	Brass UNS C26000