

THREAD ENDS • LEAD FREE

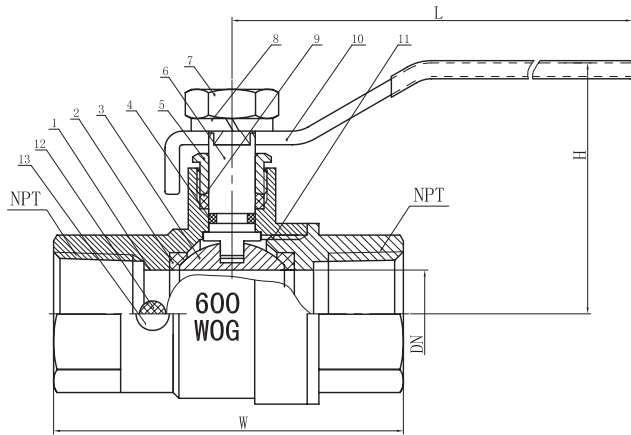
Features

- Lead Free, Dezincification Resistant (DZR)
- Forged Brass Body
- Brass Drain Cap with EPDM Washer
- Stainless Steel Ball
- PTFE Seats and Seals
- Blow Out Proof Stem

Specifications & Approvals

600 psi (WOG) 150 psi (WSP) Service
 Temperature Range: -20°F to 300°F
 Ends Conform to ANSI B1.20.1

CSA Certified, Conforms to NSF/ANSI-61/372, IGC-157
 ISO:9001:2008 Manufacturer



Dimensions

Part#	Size	DN	W	H	L
405T012-NL	1.2"	0.591	2.32	1.81	3.35
405T034-NL	3/4"	0.748	2.56	2.09	4.29
405T001-NL	1"	0.984	2.99	2.25	4.29

Material Specifications

Part Name	Material
1. Body	Lead Free Brass
2. Seat	PTFE
3. Ball	Stainless Steel
4. O-Ring	NBR
5. Packing	PTFE
6. Packing Nut	Brass
7. Stem	Brass
8. Handle Nut	Plated Steel
9. Lock Washer	Plated Steel
10. Handle	Plated Steel
11. Cap	Brass
12. Gasket	EPDM
13. Screw	Brass