

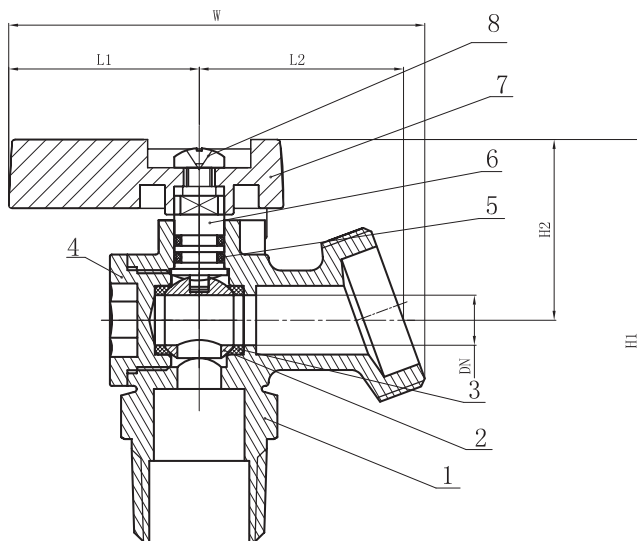
LEAD FREE

Features

- Brass Body
- Quarter Turn Butterfly style aluminum T-handle
- Chrome Plated Brass Ball
- 3/4 MHT Outlet

Specifications & Approvals

Pressure rating is 125 PSI
 Temperature rating is 160°F
 Conforms to ASME A112.18.1-2011



Dimensions

Part#	Size	DN	W	L1	L2	H1	H2
46122-NL	1/2" MIP x 3/4" NH	0.276	2.61	1.2	1.24	2.54	1.14

Material Specifications

Part Name	Material
1. Body	Lead Free Brass
2. Ball	Lead Free Brass
3. Seat	PTFE
4. Cap	Lead Free Brass
5. O-Ring	NBR
6. Stem	Brass
7. Handle	Plated Steel
8. Screw	Al-Alloy