

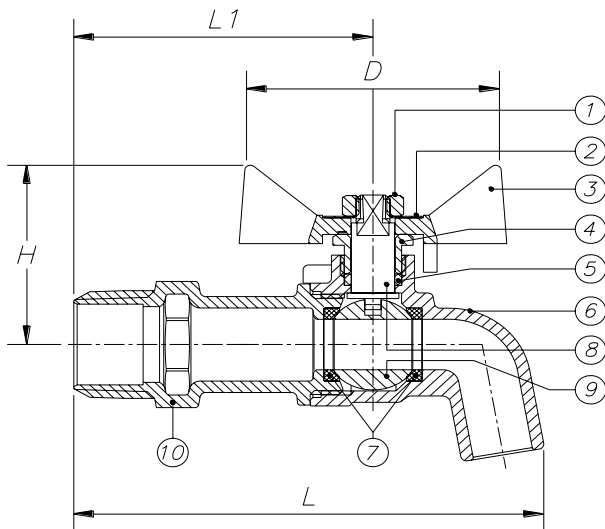
## MIP X PLAIN • LEAD FREE

### Features

- Brass Body
- Lead-free Compliant
- 1/4 Turn Ball Style Valve
- Aluminum Butterfly Handle
- 1/2" Plain End Outlet

### Specifications & Approvals

Temperature Rating 200°F  
 Pressure rating is 125 PSI WWP NON SHOCK  
 Compliant With : ASME A112.18.1-2011/CSA B125.1-11  
 NSF/ANSI 372 Compliant



### Dimensions

Part#	Size	D	H	L	L1
46124-NL	1/2" x 1/2"	49	35.5	86	54.8

### Material Specifications

Part Name	Material
1. Handle Nut	Brass (C26000) Hot Rolled (SAE 1010R)
2. Name Plate	Aluminum (A1100)
3. Butterfly Handle	Zinc (Z30A)
4. Packing Nut	Brass (C37700)
5. Packing	PTFE M-392
6. Body	Brass (C85700)
7. Ball Packing	PTFE M-392
8. Stem	Brass (C37700)
9. Ball	Brass (C37700)
10. Bonnet	Brass (C85700)