

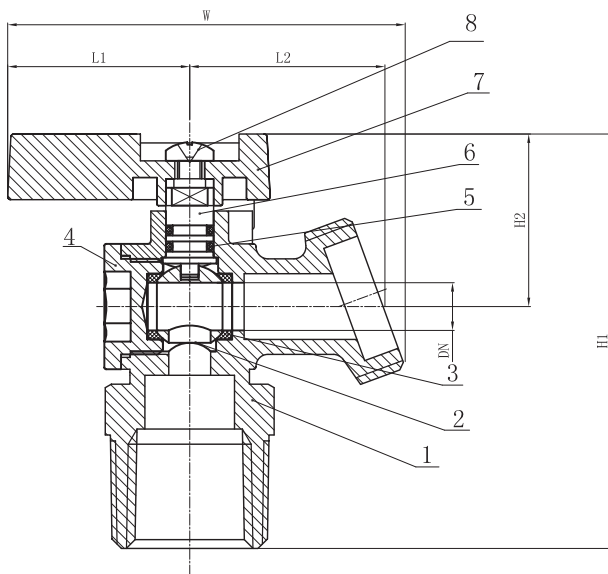
LEAD FREE

Features

- Brass Body
- Quarter Turn Butterfly style aluminum T-handle
- Chrome Plated Brass Ball
- 3/4 MHT Outlet

Specifications & Approvals

Pressure rating is 125 PSI
 Temperature rating is 160 F
 Conforms to ASME A112.18.1-2011



Dimensions

Part#	Size	W	H1	H2	L1	L2	DN
46342-NL	3/4" x 1/2"	2.736	2.54	1.14	1.20	1.28	0.276

Material Specifications

Part Name	Material
1. Body	Lead Free Brass
2. Ball	Lead Free Brass
3. Seat	PTFE
4. Cap	Lead Free Brass
5. O-Ring	NBR
6. Stem	Brass
7. Handle	Plated Steel
8. Screw	Al-Alloy