

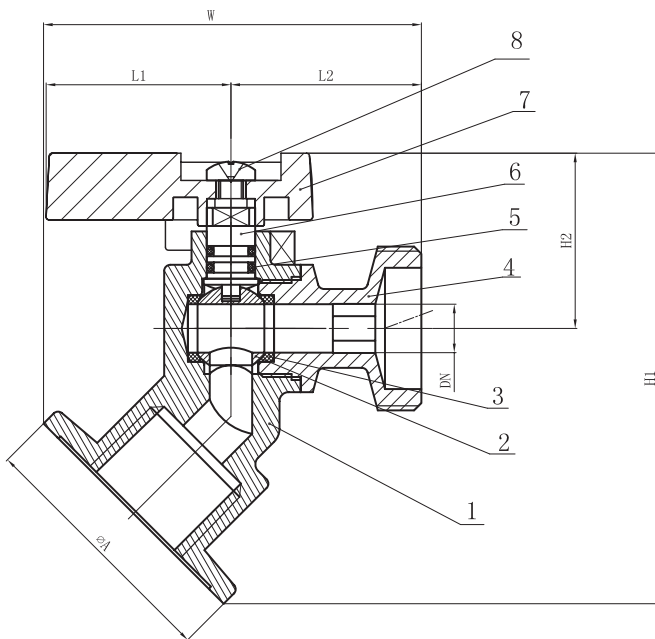
LEAD FREE

Features

- Brass Body
- Lead-free Compliant
- 1/4 Turn Ball Style Valve
- Aluminum Butterfly Handle
- 3/4" MHT Outlet

Specifications & Approvals

Compliant With : ASME A112.18.1-2011/CSA B125.1-11  
NSF/ANSI 372 Compliant



Dimensions

Part#	Size	DN	W	L1	L2	H1	H2	A
47122-NL	1/2"	0.276	2.46	1.2	1.24	2.933	1.14	1.654
47342-NL	3/4"	0.276	2.56	1.2	1.24	3.051	1.14	1.654

Material Specifications

Part Name	Material
1. Body	Lead Free Brass
2. Ball	Lead Free Brass
3. Seat	PTFE
4. Cap	Lead Free Brass
5. O-Ring	NBR
6. Stem	Brass
7. Handle	Plated Steel
8. Screw	Al-Alloy